

MODEL: CDM-16008 | **DESCRIPTION:** SPEAKER

FEATURES

- metal frame
- mylar cone



SPECIFICATIONS

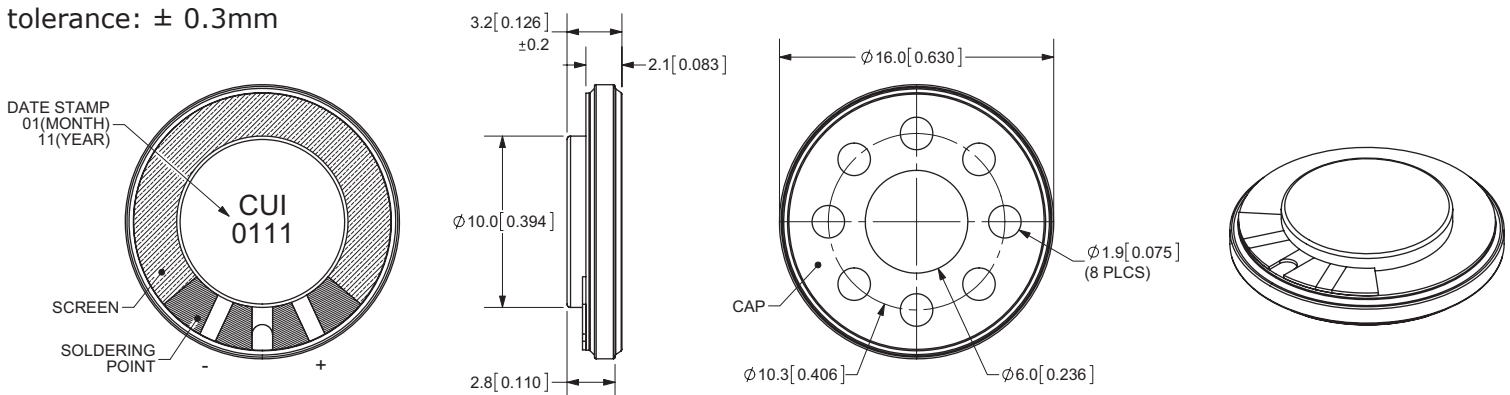
parameter	conditions/description	min	typ	max	units
diameter			16		mm
depth			3.2		mm
input power	max. power: IEC-60268-5, filter 60 s on / 120 s off, 10 cycles at room temp		0.4	0.6	W
impedance	at 2 kHz, 1 V	6.8	8	9.2	Ω
resonant frequency	at 1 V	640	800	960	Hz
sound pressure level	0.4 W, 10 cm ave. at 1, 1.2, 1.5, 2.0 kHz	90	93	96	dB
	1 W, 1 m ave. at 1, 1.2, 1.5, 2.0 kHz	75	78	81	dB
response				20,000	Hz
distortion	at 1.5 kHz, 0.4 W			10	%
buzz, rattle, etc.	must be normal at sine wave 1.79 V				
operating temperature		-40		85	°C
weight			1.51		g
material	metal				
RoHS	yes				

SOLDERABILITY

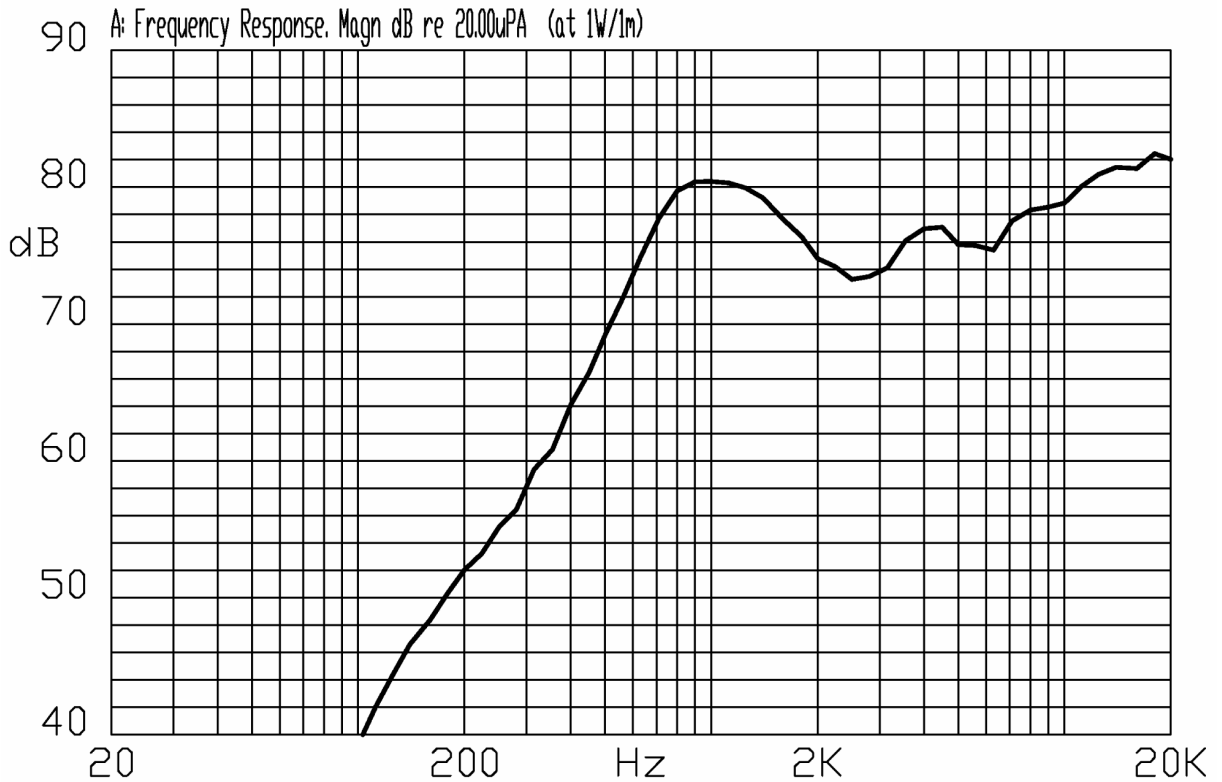
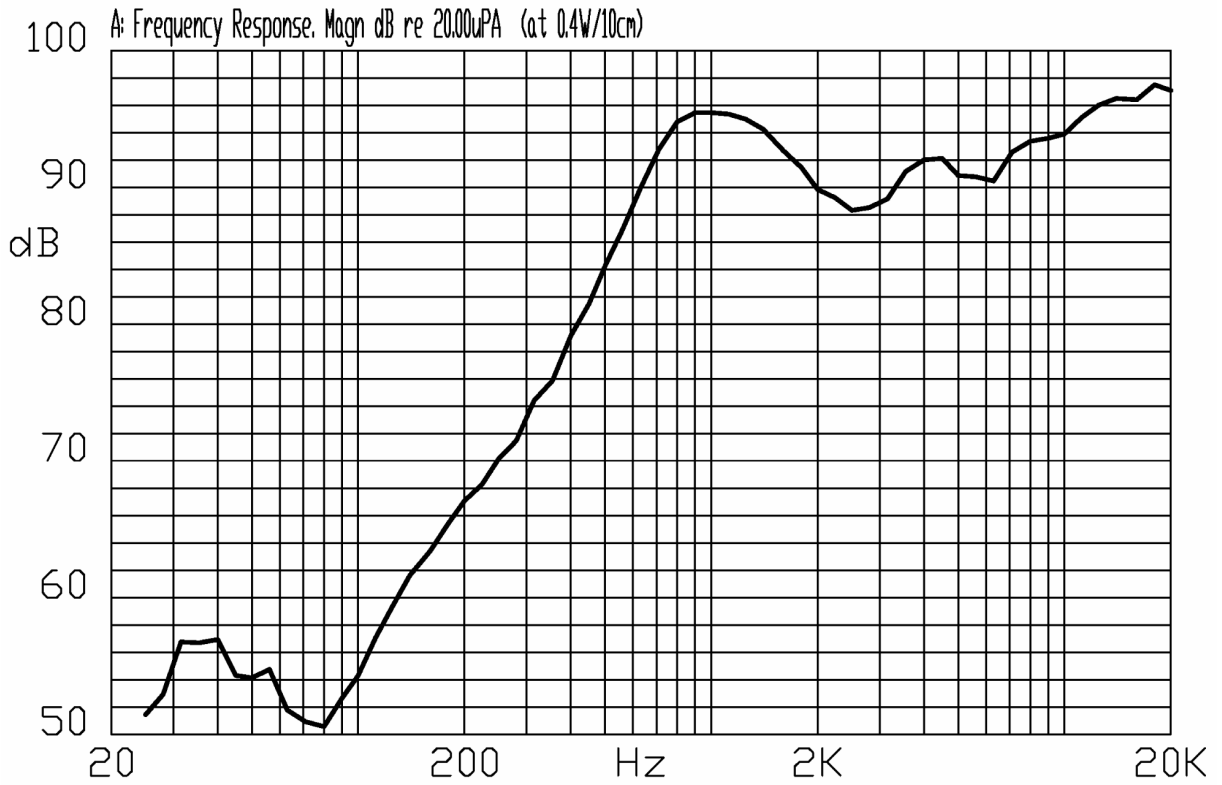
parameter	conditions/description
hand soldering	370 ±10°C for 3 ±1 seconds

MECHANICAL DRAWING

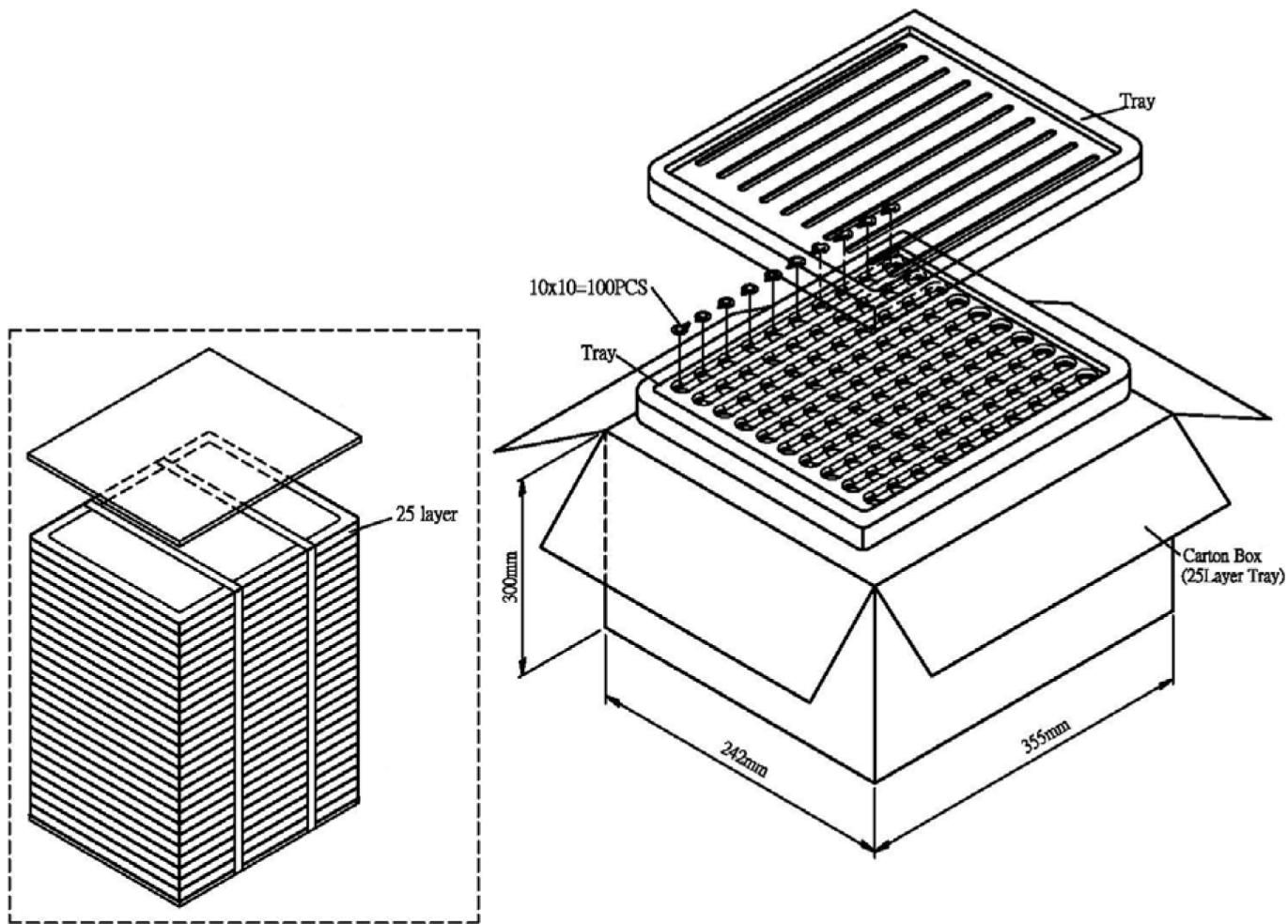
units: mm
tolerance: ± 0.3mm



FREQUENCY RESPONSE CURVE



PACKAGING



Tray	345mmx235mmx20mm	1x100PCS=100PCS
Carton Box	355mmx242mmx300mm	100PCSx25=2500PCS

REVISION HISTORY

rev.	description	date
1.0	initial release	11/08/2011

The revision history provided is for informational purposes only and is believed to be accurate.



Headquarters
20050 SW 112th Ave.
Tualatin, OR 97062
800.275.4899

Fax 503.612.2383
cui.com
techsupport@cui.com

CUI offers a one (1) year limited warranty. Complete warranty information is listed on our website.

CUI reserves the right to make changes to the product at any time without notice. Information provided by CUI is believed to be accurate and reliable. However, no responsibility is assumed by CUI for its use, nor for any infringements of patents or other rights of third parties which may result from its use.

CUI products are not authorized or warranted for use as critical components in equipment that requires an extremely high level of reliability. A critical component is any component of a life support device or system whose failure to perform can be reasonably expected to cause the failure of the life support device or system, or to affect its safety or effectiveness.