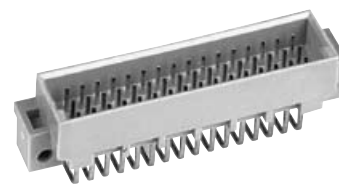


Number of contacts

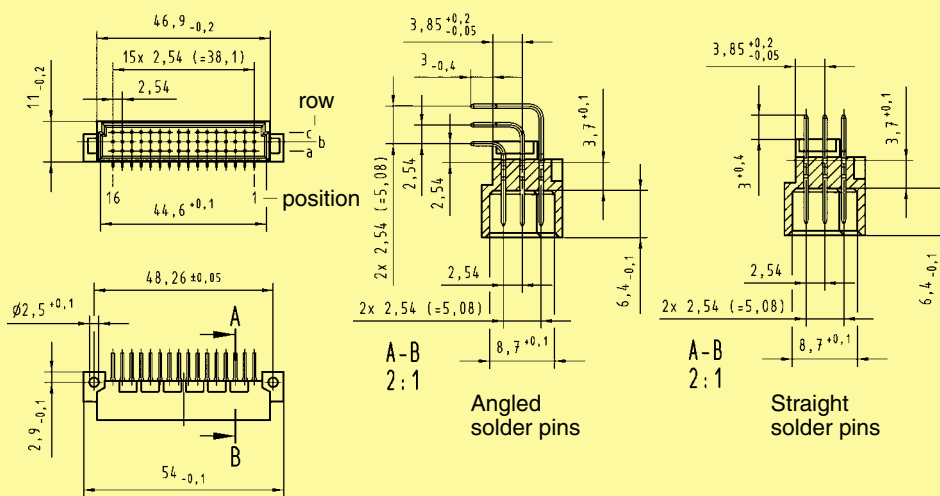
48, 32, 16



Male connectors

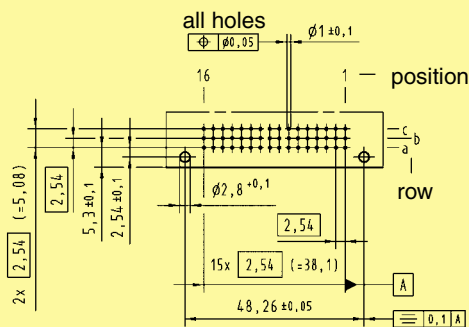
Identification	Number of contacts	Contact arrangement	Part No.			Performance levels according to IEC 60 603-2. Explanation chapter 00		
			3	2	1	3	2	1
Male connector with angled solder pins	48		09 23 148 7921 09 23 348 7921 ^{b)}	09 23 148 6921 09 23 348 6921 ^{b)}	09 23 148 2921			
	32		09 23 132 7921 09 23 332 7921 ^{b)}	09 23 132 6921 09 23 332 6921 ^{b)}	09 23 132 2921			
	16				09 23 116 2921			
	16		09 23 116 7931	09 23 116 6931 09 23 316 6931 ^{b)}	09 23 116 2931			
	46 + 2 [▲]		09 23 148 7951	09 23 148 6951 09 23 348 6951 ^{b)}	09 23 148 2951			
Male connector with straight solder pins	48		09 23 148 7922	09 23 148 6922	09 23 148 2922			
	32		09 23 132 7922	09 23 132 6922	09 23 132 2922			

Dimensions



Board drillings

Mounting side



Dimensions in mm

▲ Male connectors with 2 leading contacts [(0.8 mm) pos. a1 and a16]. Lagging pins row b on request.

Other contact arrangements on request

High temperature connector see chapter 05

^{b)} Connectors with snap-in clips see chapter 00