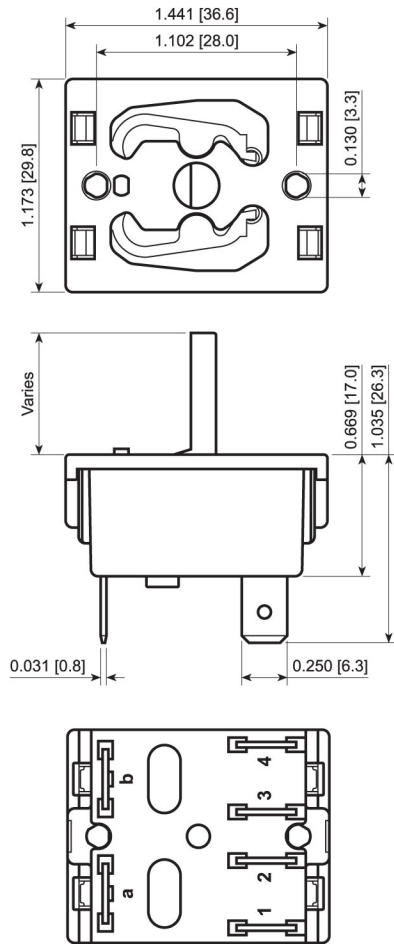
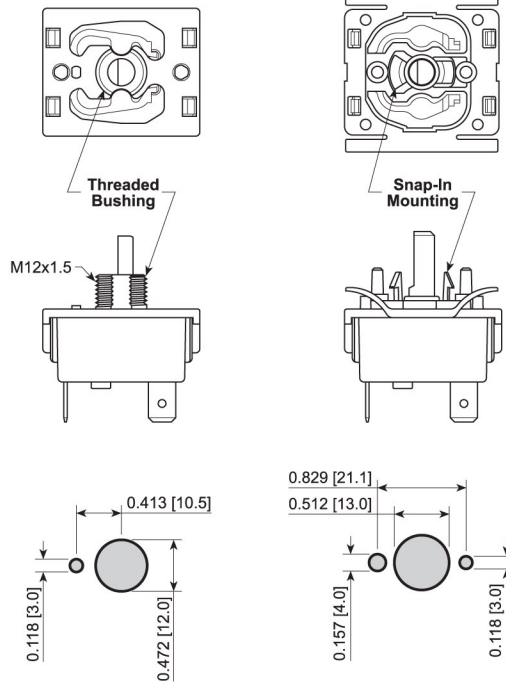


X02 Series



Mounting Options



FEATURES:

- Up To 4 Circuits
- Multiple Terminal & Actuator Options
- Housing Made of Rugged Glass Reinforced Nylon

SPECIFICATIONS:

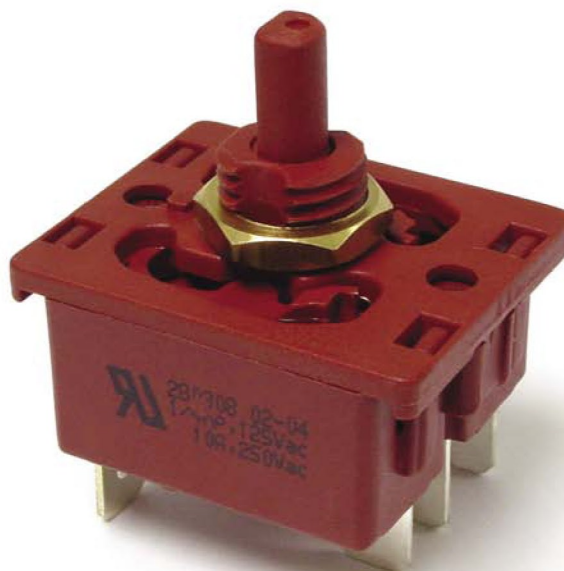
RATING: 10A 125VAC [cULus]
 1/4HP 125VAC [cULus]
 10(3)A 250V [ENEC]
 6(1.8)A 400V [ENEC]

ELECTRICAL LIFE: 300,000 Cycles
TEMPERATURE RATING: -20°C to 125°C
CONTACT RESISTANCE: 35mΩ Max. at 50VAC
INSULATION RESISTANCE: 100MΩ Min. at 500VAC
DIELECTRIC STRENGTH: 1,500VAC for 1 Minute

MATERIALS:

Body: Polyamide 6/6, UL94 V-2
ACTUATOR: Polyamide 6/6, UL94 V-2
CONTACTS: Silver
MOBILE CONTACTS: Silver
TERMINALS: Silver Plated Brass
SPRINGS: Piano Wire
 Copper
HARDWARE: Brass

SPECIFICATIONS SUBJECT TO CHANGE WITHOUT NOTICE



28-03081



24-03A2

EXAMPLE PART NUMBERS:

28-03081 1P3T
 45° Index, 1: AB1, 2: AB2, 3: AB3



E-SWITCH®

www.e-switch.com

800.867.2717

ROTARY

Mouser Electronics

Authorized Distributor

Click to View Pricing, Inventory, Delivery & Lifecycle Information:

[E-Switch:](#)

[28-03081](#)