

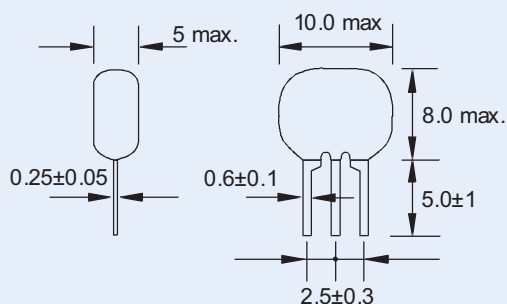
ZTT SERIES

ZTT SERIES

BUILT-IN LOAD CAPACITORS

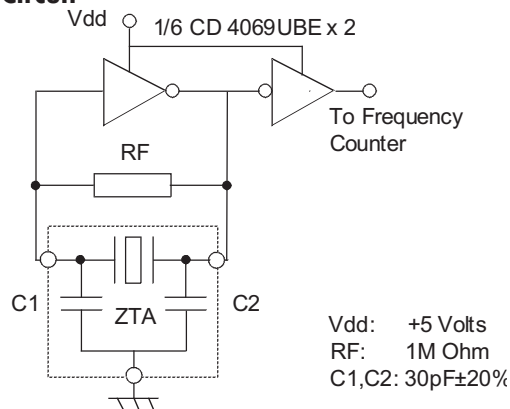
2MHz to 4.91MHz

ZTT Series 2MHz to 4.91MHz



Outline and Dimensions

Test Circuit

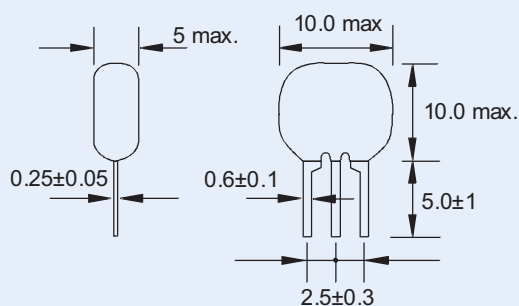


ZTT SERIES

BUILT-IN LOAD CAPACITORS

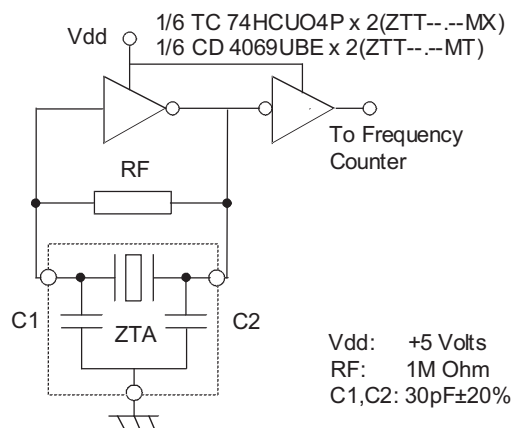
5MHz to 25MHz

ZTT Series 5.0MHz to 25.0MHz



Outline and Dimensions

Test Circuit



Electrical characteristics

| Part Number | Frequency Range | Frequency Accuracy at 25°C | Temperature Stability -20° to +80°C | Ageing Stability 10 years | Resonance Resistance (Ω) max. | Withstanding Voltage 5 s max. | Insulation Resistance (Ω) max. |
|-------------|-----------------|----------------------------|-------------------------------------|---------------------------|-------------------------------|-------------------------------|--------------------------------|
| ZTT---MG | 2.0 to 2.99 | ±0.5% | ±0.3% | ±0.3% | 80 | 100VDC | 5x10 ⁸ Ω |
| ZTT---MG | 3.0 to 3.49 | ±0.5% | ±0.3% | ±0.3% | 50 | 100VDC | 5x10 ⁸ Ω |
| ZTT---MG | 3.5 to 4.99 | ±0.5% | ±0.3% | ±0.3% | 30 | 100VDC | 5x10 ⁸ Ω |
| ZTT---MT | 5.0 to 6.99 | ±0.5% | ±0.3% | ±0.3% | 30 | 100VDC | 5x10 ⁸ Ω |
| ZTT---MT | 7.0 to 13.0 | ±0.5% | ±0.3% | ±0.3% | 25 | 100VDC | 5x10 ⁸ Ω |
| ZTT---MX | 13.01 to 25 | ±0.5% | ±0.3% | ±0.3% | 25 | 100VDC | 5x10 ⁸ Ω |

(For --- insert frequency)