

PRODUCT NUMBER

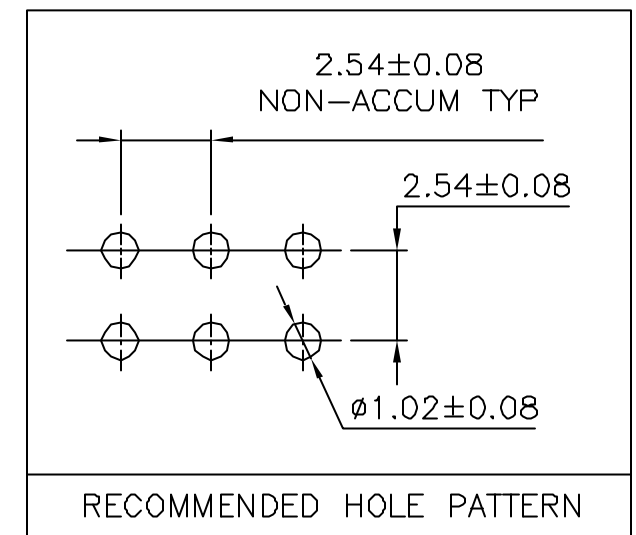
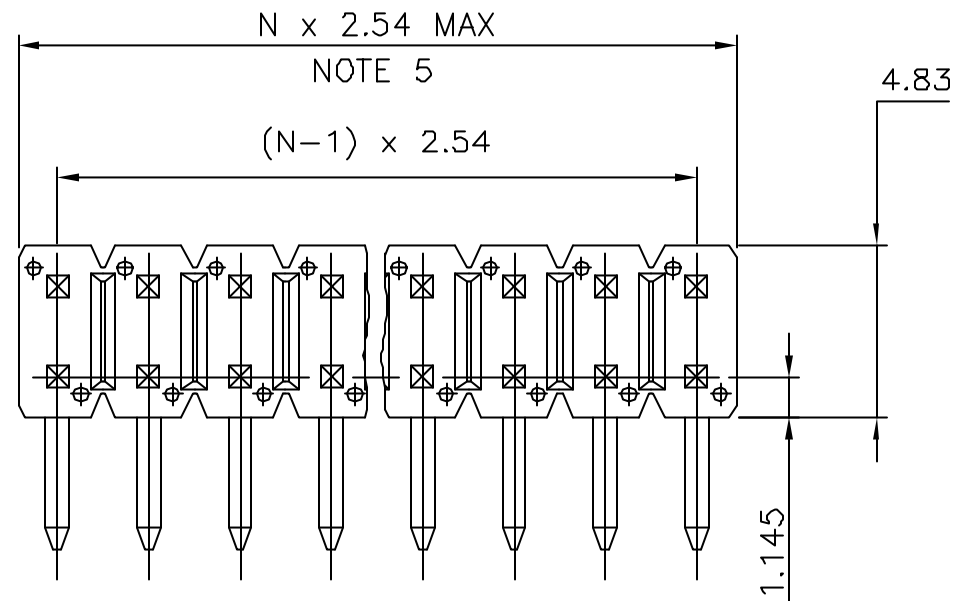
77317-YXX-XXLF

WHEN REQUIRED, ADD SUFFIX LETTER "LF"
INDICATES THE PRODUCT IS RoHS
COMPATIBLE, SEE NOTE 7

TOTAL NB OF POSITIONS 04 TO 72

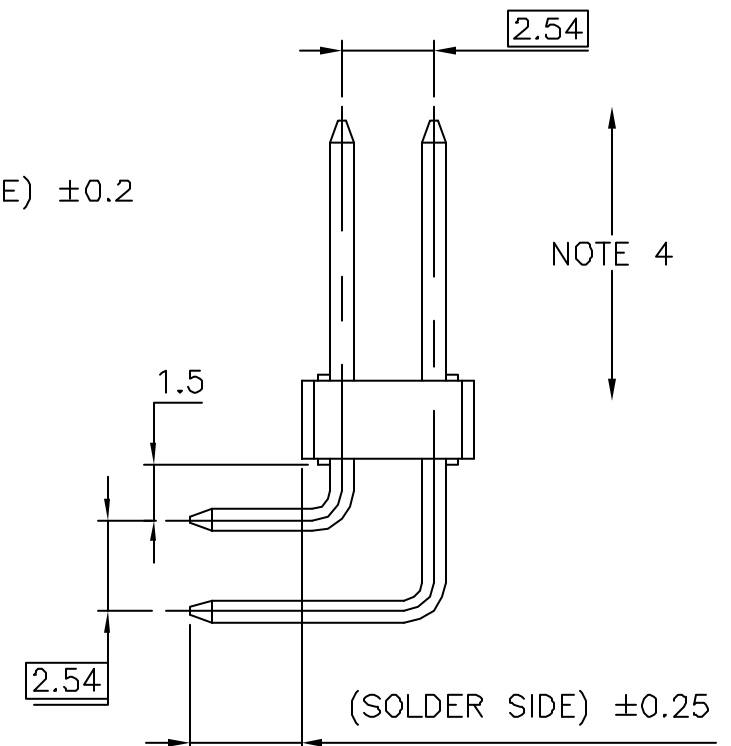
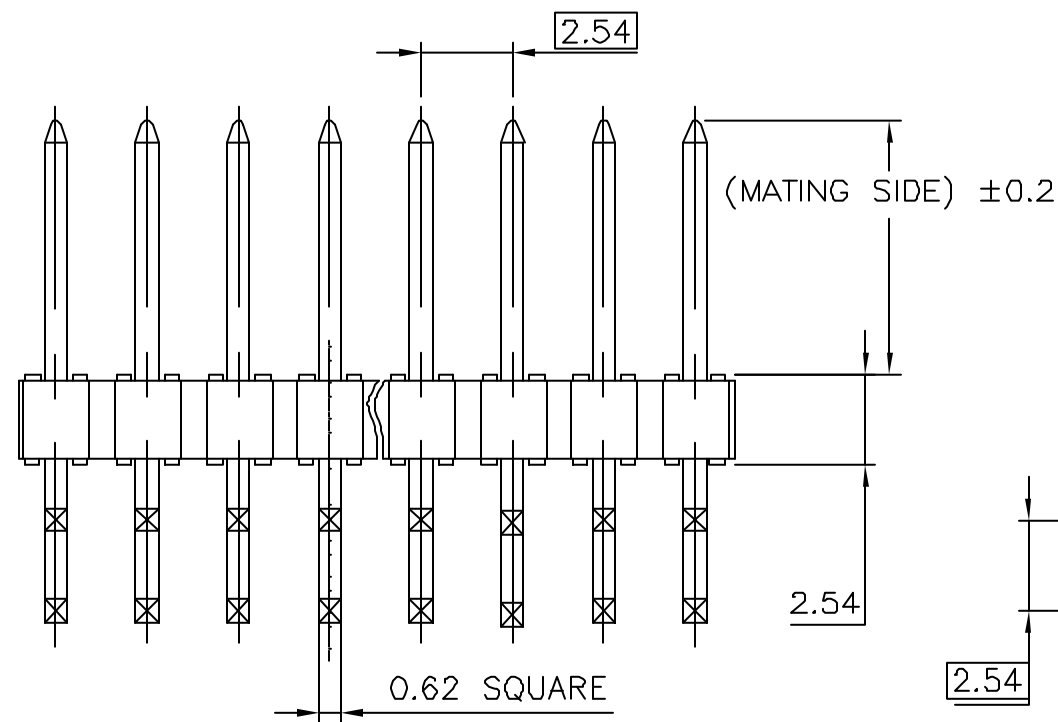
PIN STYLE SEE SHEET 2

PLATING SEE SHEET 2



NOTES:

1. HOUSING MAT'L : HIGH TEMPERATURE THERMOPLASTIC. UL94V-0 COLOR: BLACK
2. PIN MATERIAL : PHOSPHOR BRONZE
3. PRODUCT PACKAGED IN POLY BAGS.
4. 9N MIN RETENTION IN EITHER DIRECTION
5. TO DETERMINE DIMENSIONS :
N = NUMBER OF POSITIONS PER ROW
EXAMPLE : 8 POS N x 2.54 = 20.32mm
6. UNDERPLATING : 1.27µm Ni MIN
7. RoHS COMPATIBLE PRODUCT SPECIFICATIONS
 - a - PLATING:
 - "LF" MEANS THE PRODUCT IS LEAD-FREE, 2µm MINIMUM MATTE TIN OVER 1.27µm MINIMUM NICKEL UNDERPLATE.
 - b - MANUFACTURING PROCESS COMPATIBILITY
 - THE HOUSING WILL WITHSTAND EXPOSURE TO 260°C ±5°C SOLDER BATH TEMPERATURE FOR 5 SECONDS IN A WAVE SOLDER APPLICATION WITH A 1.6mm MIN THICK CIRCUIT BOARD.
 - c - LABELING:
 - MEETS PACKAGING SPECS AS PER GS-14-920
 - d - LEGAL STATEMENT: SEE GS-22-008



mat'l. code		surface		tolerance		projection		product family	
SEE NOTES		ISO 1302 ✓		ISO 406 ISO 1101		mm		BERGSTIK	
ltr	ecn no	dr	date	tolerances unless otherwise specified		mm		title	
AA	F04-0167	JCO	04.04.05	angles	Linear	.X ±0.3		UNSHR.HEADER	
AB	F04-0362	LMU	04.11.29			.XX ±0.15		RA DR TMT	
AC	F06-0207	LMU	06.07.27			.XXX ±0.05		scale 5:1	
AD	F06-0263	LMU	06.10.27	dr	D.LE	01.01.24		dwg no	
				engr	JM.C	01.01.24		sheet 1 of 2	
X	F20592	JCO	02.11.26	chr	JM.C	01.01.24		77317	
Y	F04-0129	LMU	04.02.04	appd	JF.N	01.01.24		size	
sheet index		revision	AD	AB				A3	
		sheet	1	2				type	
								CUSTOMER Drawing	

1

2 3

4

5

6

CATALOGUE RANGE

PLATING	PIN STYLE	MATING	SOLDER
1/4/8	03	5.84	2.54
1/4/8	04	5.84	3.05
1/4/8	12	6.8	3.05

PLATING

- 1 = 0.76µm GOLD ON CONTACT AREA
3.81µm TIN-LEAD ON TAIL
- 4 = 3.81µm TIN-LEAD ON CONTACT AREA
AND ON TAIL
- 8 = 0.38µm GOLD ON CONTACT AREA
3.81µm TIN-LEAD ON TAIL
- WHEN "LF" IS REQUIRED, 2µm MATTE
TIN OVER 1.27µm MIN NICKEL IS
PROVIDED INSTEAD OF TIN-LEAD

APPLICATION SPECIFIC

PLATING	PIN STYLE	MATING	SOLDER
1/4/8	01	5.72	2.57
1/4/8	14	10	2.7
1/4/8	15	7	16.4
1/4/8	16	7.8	13.5
1/4/8	17	7.48	1.6
1/4/8	18	8.80	2.90

PLATING

- 1 = 0.76µm GOLD ON CONTACT AREA
3.81µm TIN-LEAD ON TAIL
- 4 = 3.81µm TIN-LEAD ON CONTACT AREA
AND ON TAIL
- 8 = 0.38µm GOLD ON CONTACT AREA
3.81µm TIN-LEAD ON TAIL
- WHEN "LF" IS REQUIRED, 2µm MATTE
TIN OVER 1.27µm MIN NICKEL IS
PROVIDED INSTEAD OF TIN-LEAD

A

A

B

B

C

C

D

D



Copyright FCJ

mat'l. code SEE NOTES				surface ISO 1302 ✓	tolerance ISO 406 ISO 1101	projection 	product family BERGSTIK
ltr	ecn no	dr	date	tolerances unless otherwise specified		mm scale 5:1	title UNSHR.HEADER RA DR TMT
X	F04-0362	LMU	04.11.29	angles	.X ±0.3		
AA	F06-0207	LMU	06.07.27	linear	.XX ±0.15		
AB	F06-0263	LMU	06.10.27		.XXX ±0.05		
				dr	D.LE	01.01.24	dwg no 77317 sheet 2 of A3 type CUSTOMER Drawing
				enr	JM.C	01.01.24	
				chr	JM.C	01.01.24	
				app	JF.N	01.01.24	
sheet index	revision sheet						

form A3

1

2

3

4

5

6