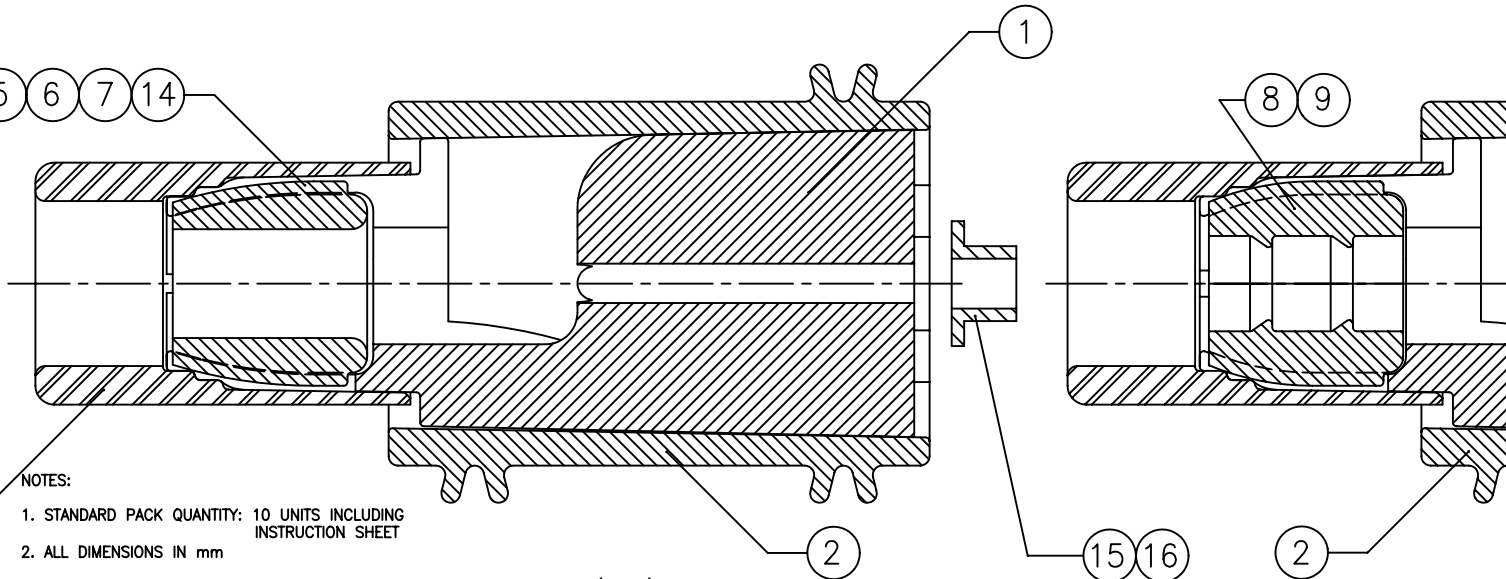


USED ON:

3 4 5 6 7 14

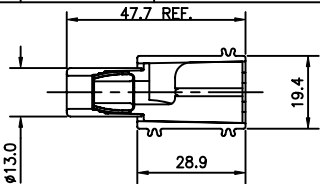


NOTES:

1. STANDARD PACK QUANTITY: 10 UNITS INCLUDING INSTRUCTION SHEET
2. ALL DIMENSIONS IN mm
3. MATERIALS = ALL PARTS NYLON 66 MONSANTO M344 FLAME RETARDENT (BLACK)

10 11 12 13

ITEM	DWG No.	DESCRIPTION	QUANTITY OF EACH ITEM REQUIRED FOR ASSEMBLY LISTED											
			OFM-C-1-19BLK	OFM-C-2-19BLK	OFM-C-3-19BLK	OFM-C-4-19BLK	OFM-C-5-19BLK	OFM-C-6-19BLK	OFM-C-7-19BLK	OFM-4-05-19BLK	OFM-T-05-19BLK	OFM-T-635-19BLK		
1	X14226	BODY	1	1	1	1	1	1	1	1	1	1	1	
2	X14227	COVER	1	1	1	1	1	1	1	1	1	1	1	
3	X14239 BLACK	KEVLAR ANCHOR ADAPTER - Ø3.0 (BLACK)	1	-	-	-	-	-	-	1	-	-	-	
4	X14239 BLUE	KEVLAR ANCHOR ADAPTER - Ø3.5 (BLUE)	-	1	-	-	-	-	-	1	-	-	-	
5	X14239 BROWN	KEVLAR ANCHOR ADAPTER - Ø4.5 (BROWN)	-	-	1	-	-	-	-	1	-	-	-	
6	X14239 GREEN	KEVLAR ANCHOR ADAPTER - Ø5.5 (GREEN)	-	-	-	1	-	-	-	1	-	-	-	
7	X14239 RED	KEVLAR ANCHOR ADAPTER - Ø6.5 (RED)	-	-	-	-	1	-	-	1	-	-	-	
8	X14229	SPLIT ADAPTER Ø5 FBLT (BLACK)	-	-	-	-	-	-	-	2	2	-	-	
9	X14291	SPLIT ADAPTER Ø6.35 FBLT (BLUE)	-	-	-	-	-	-	-	2	-	2	-	
10	X08205	CABLE ANCHOR RETAINING RING - Ø3.5	1	-	-	-	-	-	-	1	-	-	-	
11	X08204	CABLE ANCHOR RETAINING RING - Ø5.8	-	1	1	-	-	-	-	1	1	-	-	
12	X08202	CABLE ANCHOR RETAINING RING - Ø8.8	-	-	-	1	1	1	-	1	-	1	-	
13	X08206	CABLE ANCHOR RETAINING RING - Ø10.8	-	-	-	-	-	-	1	1	-	-	-	
14	X14254	SYNTHETIC RUBBER ADAPTOR	-	-	-	-	-	-	1	1	1	-	-	
15	X14151	GRP CRIMP RING - Ø2.5	OPTIONAL EXTRA	OPTIONAL EXTRA	OPTIONAL EXTRA	OPTIONAL EXTRA	OPTIONAL EXTRA	OPTIONAL EXTRA	OPTIONAL EXTRA	OPTIONAL EXTRA	OPTIONAL EXTRA	OPTIONAL EXTRA	OPTIONAL EXTRA	
16	X14151	GRP CRIMP RING - Ø3.0	OPTIONAL EXTRA	OPTIONAL EXTRA	OPTIONAL EXTRA	OPTIONAL EXTRA	OPTIONAL EXTRA	OPTIONAL EXTRA	OPTIONAL EXTRA	OPTIONAL EXTRA	OPTIONAL EXTRA	OPTIONAL EXTRA	OPTIONAL EXTRA	



FBLT Ø	Ø5mm	Ø5mm	Ø5mm	Ø5mm	Ø5mm	Ø5mm	Ø5mm	Ø5mm	Ø5mm	Ø5mm	Ø5mm	Ø5mm
CABLE ANCHOR MAX. RANGE	3.5	4.0	5.0	6.0	7.0	8.5	10.8	10.8 & Ø5.0 FBLT	10.8 & Ø5.0 FBLT	10.8 & Ø5.0 FBLT	10.8 & Ø5.0 FBLT	10.8 & Ø5.0 FBLT
MIN.	2.5	3.0	4.1	5.1	6.1	7.0	8.5	2.5 & Ø6.35 FBLT	2.5 & Ø6.35 FBLT	2.5 & Ø6.35 FBLT	2.5 & Ø6.35 FBLT	2.5 & Ø6.35 FBLT

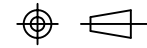
DO NOT SCALE

C.A.D DO NOT AMEND ENGINEERING DRAWING

TITLE
1 TO 4 MANIFOLD FBLT TO FBLT CABLE ASSMBLIES

MATERIAL SEE NOTES

THIRD ANGLE PROJECTION



COPYRIGHT NOTE
This document /drawing is protected under copyright and is the property of Miniflex. It may only be used for the specific purpose for which it has been supplied and held in safe custody. It may not be published, disclosed to a third party, or used in any other way without the prior permission in writing from Miniflex Ltd. It remains our property and must be returned to us on request.



FINISH SEE NOTES

ALL DIMENSIONS IN MILLIMETRES
© COPYRIGHT 1996

UNTOLERANCED DIMENSIONS:
WITHOUT DEC. POINT
ONE DEC. PLACE
TWO DEC. PLACES
ANGULAR

F	01.03.04	TABLE_MODIFIED
E	02.11.98	TABLE_MODIFIED
D	02.11.98	TABLE_MODIFIED_NRC0068
ISSUE	CHANGE DATE	CHANGE
ISSUE	CHANGE DATE	CHANGE
A	24.07.98	FIRST_CHANGE
ISSUE	DATE	CHANGE
DRAWN	MRH	SCALE: NTS
CHECKED		DRG. No.
DATE	02.11.98	× 1 4 1 2 4
APPROVED	PDJ	

A

B

C

D