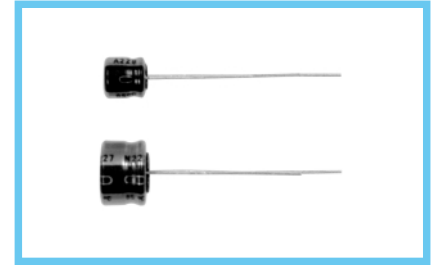
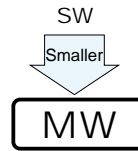


ALUMINUM ELECTROLYTIC CAPACITORS

MW series 5mmL, For General Audio Equipment



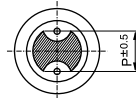
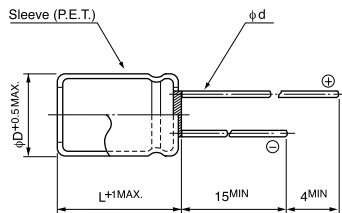
- Acoustic series, with 5mm height.
- Adapted to the RoHS directive (2002/95/EC).



Specifications

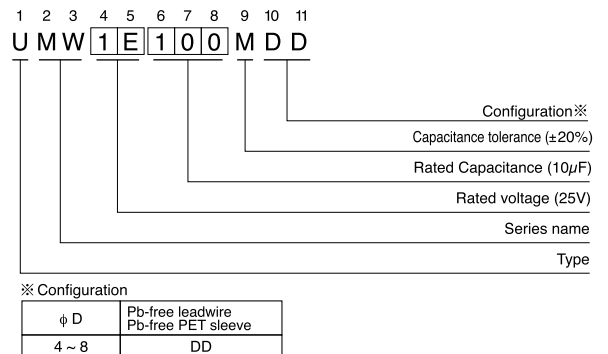
Item	Performance Characteristics								
Category Temperature Range	-40 ~ +85°C								
Rated Voltage Range	4 ~ 50V								
Rated Capacitance Range	0.1 ~ 470μF								
Capacitance Tolerance	±20% at 120Hz, 20°C								
Leakage Current	After 2 minutes' application of rated voltage, leakage current is not more than 0.01CV or 3 (μA) , whichever is greater.								
tan δ	Measurement frequency : 120Hz, Temperature : 20°C								
	Rated voltage (V)	4	6.3	10	16	25	35	50	
	tan δ (MAX.)	0.35	0.24	0.20	0.16	0.14	0.12	0.10	
Stability at Low Temperature	Measurement frequency : 120Hz								
	Rated voltage (V)		4	6.3	10	16	25	35	50
	Impedance ratio ZT / Z20 (MAX.)	Z-25°C / Z+20°C	7	4	3	2	2	2	2
		Z-40°C / Z+20°C	15	8	6	4	4	3	3
Endurance	After 1000 hours' application of rated voltage at 85°C, capacitors meet the characteristics requirement listed at right.				Capacitance change		Within ±20% of initial value		
					tan δ		200% or less of initial specified value		
					Leakage current		Initial specified value or less		
Shelf Life	After storing the capacitors under no load at 85°C for 1000 hours, and after performing voltage treatment based on JIS C 5101-4 clause 4.1 at 20°C, they will meet the specified value for endurance characteristics listed above.								
Marking	Printed with black color letter on gold sleeve.								

Radial Lead Type



	(mm)			
φD	4	5	6.3	8
P	1.5	2.0	2.5	2.5
φd	0.45	0.45	0.45	0.45

Type numbering system (Example : 25V 10μF)



Dimensions

Cap. (μF)	code	v		4		6.3		10		16		25		35		50	
				0G		0J		1A		1C		1E		1V		1H	
0.1	0R1															4 × 5	1.0
0.22	R22															4 × 5	2.0
0.33	R33															4 × 5	2.8
0.47	R47															4 × 5	4.0
1	010															4 × 5	8.4
2.2	2R2															4 × 5	13
3.3	3R3															4 × 5	17
4.7	4R7											4 × 5	16	4 × 5	15	5 × 5	20
10	100									4 × 5	23	5 × 5	27	5 × 5	29	6.3 × 5	33
22	220				4 × 5	28	5 × 5	33	5 × 5	37	6.3 × 5	42	6.3 × 5	46	8 × 5	52	
33	330	4 × 5	28	5 × 5	37	5 × 5	41	6.3 × 5	49	6.3 × 5	52	8 × 5	62	8 × 5	71		
47	470	4 × 5	33	5 × 5	45	6.3 × 5	52	6.3 × 5	58	8 × 5	70	8 × 5	80				
100	101	5 × 5	56	6.3 × 5	70	8 × 5	80	8 × 5	92	8 × 5	110						
220	221	6.3 × 5	96	8 × 5	110	8 × 5	135										
330	331	8 × 5	145	8 × 5	170												
470	471	8 × 5	185														

Rated Ripple (mArms) at 85°C 120Hz

Frequency coefficient of rated ripple current

Frequency	50 Hz	120 Hz	300 Hz	1 kHz	10 kHz ~
Coefficient	0.70	1.00	1.17	1.36	1.50

Please refer to page 21, 22, 23 about the formed or taped product spec.
Please refer to page 3 for the minimum order quantity.