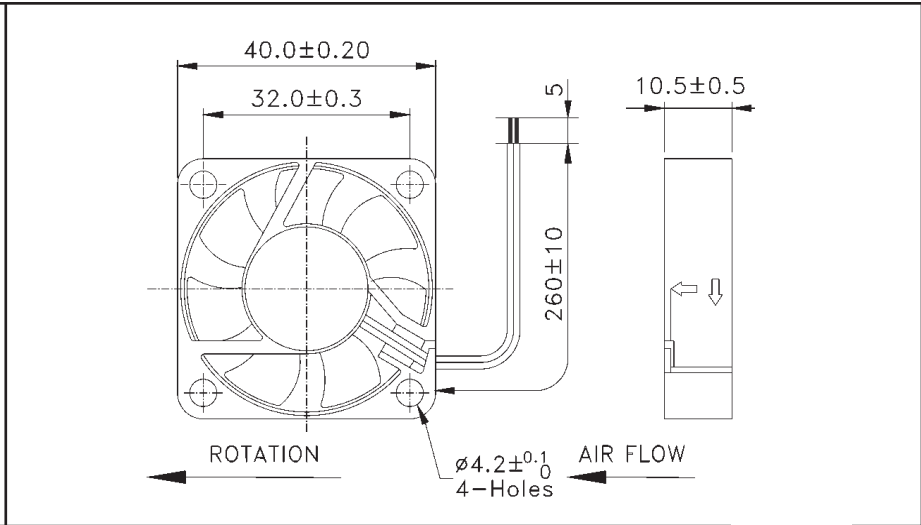


OD4010 Series



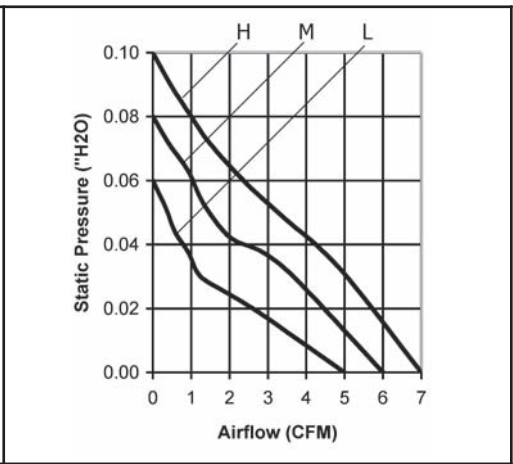
DC Fan - 5, 12, 24V
40x10mm (1.58"x 0.39")



Frame & Impeller	PBT, UL94V-O plastic
Connection	2x Lead wires 26AWG
Motor	Brushless DC, auto restart, impedance and polarity protected
Bearing System	Ball bearing
Insulation Resistance	10M ohm between leadwire and frame (500VDC)
Dielectric Strength	1 second at 500 VAC, max leakage - 500 MicroAmp
Storage Temperature	-30C ~ +90C

Available Options:

- Tachometer
- Alarm
- Thermal control
- Sleeve bearing
- IP55
- Life Expectancy (L10)
 - Ball - 60,000 hrs (45C)
 - Sleeve - 30,000 hrs (45C)
- Operating Temperature
 - Ball: -20 ~ 80C



Model Number	Speed (RPM)	Airflow (CFM)	Noise (dB)	Volts DC	Voltage Range (VDC)	Amps	Max. Static Pressure (H ₂ O)
OD4010-05HB	6000	7	25	5	4 ~ 7	0.16	0.10
OD4010-05MB	4800	6	20	5	4 ~ 7	0.11	0.08
OD4010-05LB	4200	5	14	5	4 ~ 7	0.07	0.06
OD4010-12HB	6000	7	25	12	7 ~ 14	0.09	0.10
OD4010-12MB	4800	6	20	12	7 ~ 14	0.06	0.08
OD4010-12LB	4200	5	14	12	7 ~ 14	0.06	0.06
OD4010-24HB	6000	7	25	24	10 ~ 27	0.06	0.10
OD4010-24MB	4800	6	20	24	10 ~ 27	0.04	0.08
OD4010-24LB	4200	5	14	24	10 ~ 27	0.03	0.06