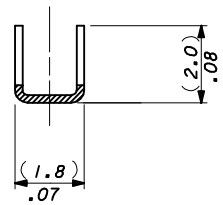
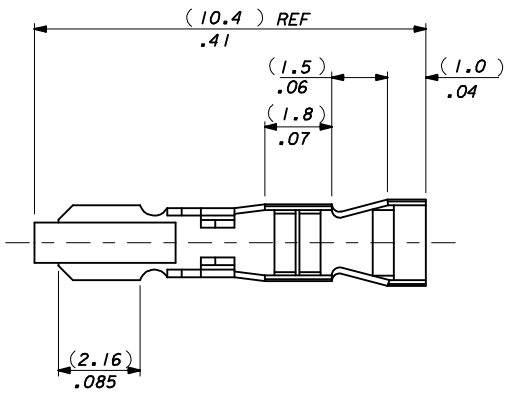


NOTES:

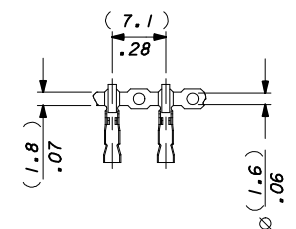
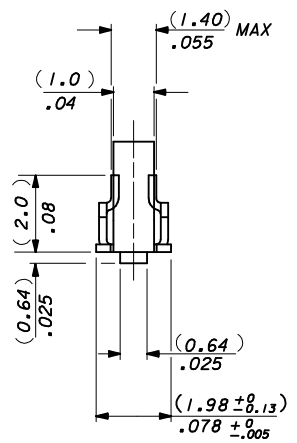
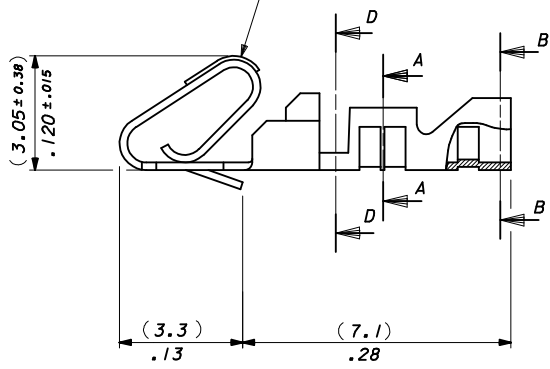
1. MATERIAL: (0.21)/.008 THICK BRASS.
2. FINISH: SEE SHEET 2.
3. THIS PART CONFORMS TO PRODUCT SPEC. 99020-0088.
4. TERMINAL MUST MEET BEND SPEC. SDES-219.
5. SUITABLE FOR 22-30 GA. WIRE, (1.57)/.062 MAX. INSULATION.
6. THIS PART CONFORMS TO CLASS B REQUIREMENTS OF COSMETIC SPECIFICATION PS-45499-002.



SECTION D-D  
(4809-1T ONLY)



SELECTIVE PLATING AREA,  
SEE CHART

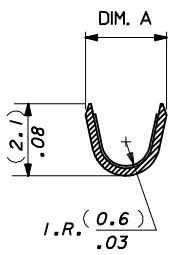


CARRIER STRIP DETAIL  
SCALE 2:1

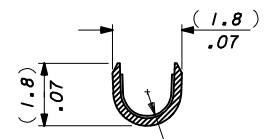
4809-(\*)\*\* \*

- BLANK : DIM. A = (2.1) / 1.083 REF.
- M: DIM A = (2.2) / .087 REF.
- BLANK=CHAIN FORM TOP FEEDING REEL
- L=LOOSE FORM

PLATING CODE



SECTION B-B



SECTION A-A

SELECT GOLD AREA EC NO: UCP2013-5411 DRWN:KIPPER CHKD:JBELL APPR:FSMITH	2013/06/14 2013/06/17 2013/06/28	QUALITY SYMBOLS ∇=0 ∇=0 ∇=0	GENERAL TOLERANCES (UNLESS SPECIFIED)		DIMENSION STYLE	SCALE	DESIGN UNITS	THIRD ANGLE PROJECTION		
					MM/IN	10:1	METRIC			
					DRAWN BY	DATE	TITLE			
					DATE	DATE	ANTI-FISH HOOKING TERMINAL KK.(2.50)/.100			
		ANGULAR ±----		MATERIAL NO.	DOCUMENT NO.		SHEET NO.			
DRAFT WHERE APPLICABLE MUST REMAIN WITHIN DIMENSIONS		SEE CHART		SD-4809-*		1 OF 2				
THIS DRAWING CONTAINS INFORMATION THAT IS PROPRIETARY TO MOLEX INCORPORATED AND SHOULD NOT BE USED WITHOUT WRITTEN PERMISSION										

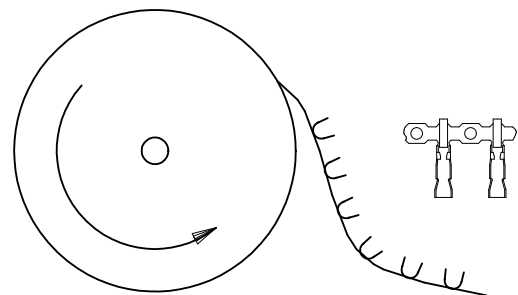
**FINISH NOTES\***

(550) GOLD PLATE (0.00038)/.000015 MIN. OVER (0.00076)/.000030 MIN. NICKEL

IN CONTACT AREA WITH (0.00005)/.000002 MIN. GOLD FLASH OVERALL.

(555) SELECTIVE GOLD (0.00038)/.000015 MIN. OVER (0.00076)/.000030 MIN. NICKEL IN CONTACT AREA ONLY.

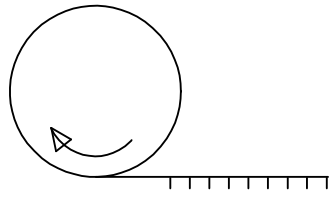
(P918) HOT TIN DIP (0.00102-0.00305)/.000040-.000120



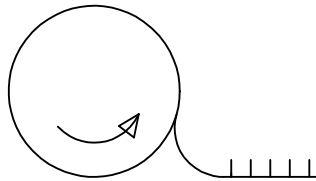
TERMINALS FEEDING FROM THE TOP OF THE REEL ARE STANDARD WOUND

08-55-0110	4809-(555)	CHAIN	(555)	(2.45 - 1.75)/ .096 - .069
08-55-0111	↑ -(555)L	LOOSE		
08-56-0120	-(550)	CHAIN	(550)	(2.45 - 1.75)/ .096 - .069
08-56-0115	↓ -(550)L	LOOSE		
08-50-0135	↓ -(P918)	CHAIN	(P918)	(2.45 - 1.75)/ .096 - .069
08-50-0136	4809 - (P918) L	LOOSE		
PART No	ENG No	FORM	FINISH	DIM . A
TOP FEEDING REELS ONLY				

CORRECT PLATING EC NO: UCP2011-2131 DRWNCSTEWART 2011/01/18 CHKD:HKIPPER 2011/01/26 APPR:FSMLTH 2011/02/04	QUALITY SYMBOLS	GENERAL TOLERANCES (UNLESS SPECIFIED)	DIMENSION STYLE	SCALE	DESIGN UNITS	THIRD ANGLE PROJECTION	
	▽=0	mm INCH	MM/IN	NTS	METRIC		
	▽=0	4 PLACES ± --- ± ---	DRAWN BY DATE	MCC 1986/07/30	ANTI-FISH HOOKING TERMINAL KK,(2.50)/.100		
	▽=0	3 PLACES ± --- ± .010	CHECKED BY DATE	DMORIART 2004/10/18			
	2 PLACES ± 0.25 ± .014	APPROVED BY DATE	JDENNEHY 2004/10/19	MOLEX INCORPORATED SD-4809-*			
	1 PLACE ± 0.35 ± ---	MATERIAL NO.	SEE CHART				DOCUMENT NO.
AM	DESCRIPTION	ANGULAR ± ---°	SIZE	THIS DRAWING CONTAINS INFORMATION THAT IS PROPRIETARY TO MOLEX INCORPORATED AND SHOULD NOT BE USED WITHOUT WRITTEN PERMISSION			
		DRAFT WHERE APPLICABLE MUST REMAIN WITHIN DIMENSIONS				2 OF 2	



'A' WINDING REEL  
PER ES 339



'B' WINDING REEL  
PER ES 339

4809C-(\*) \* \*

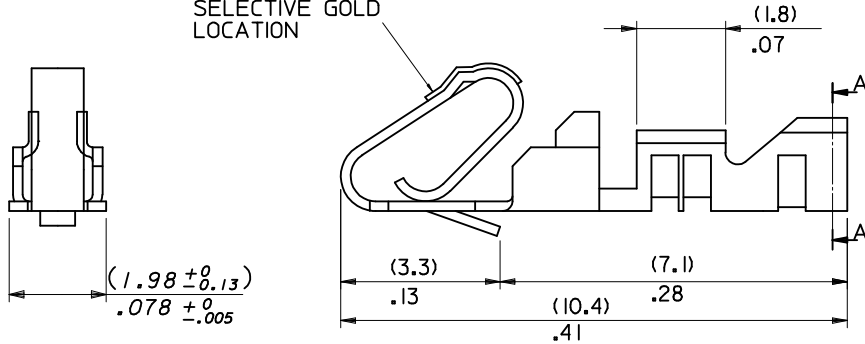
INSULATION CRIMP WIDTH  
BLANK: DIM. A = (2.1)/.083 REF.  
M: DIM. A = (2.2)/.087 REF.

PLATING CODE

FORM:

BLANK = CHAIN FORM, TOP FEEDING REEL  
L = LOOSE FORM  
BF = CHAIN FORM, BOTTOM FEEDING REEL

SELECTIVE GOLD LOCATION

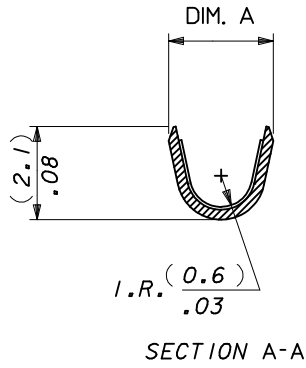


97-00-0001	4809C-(P918)BF	CHAIN	(P918)	(2.45-1.75)/.096-.069
PART No	ENG No	FORM	FINISH (SEE NOTE-2)	DIM . A
'A' WINDING PER E.S. 339				

08-55-0112	4809C-(555)	CHAIN	(555)	(2.45-1.75)/.096-.069
08-50-0030	4809C-(P918)M	CHAIN	(P918)	(2.35-2.05)/.093-.081
08-50-0031	4809C-(P918)	CHAIN	(P918)	(2.45-1.75)/.096-.069
08-50-0032	4809C-(P918)L	LOOSE	(P918)	(2.45-1.75)/.096-.069
PART No	ENG No	FORM	FINISH (SEE NOTE-2)	DIM . A
'B' WINDING PER E.S. 339 (CHAIN ONLY)				

NOTES:

- MATERIAL (0.20±0.01)/.008±.0004 THICK BRASS.
- FINISH: (555) - SELECTIVE GOLD (0.00038)//0.000015 MIN., OVERALL NICKEL (0.00076)/0.000030 MIN.  
(P918) - HOT TIN DIP: (0.00102-0.00305)//.000040-.000120
- THIS PART CONFORMS TO MOLEX PRODUCT SPEC. PS-99020-0088.
- SAME AS SD-4809-\* EXCEPT WITH CAT EARS.
- FOR 22-30 GAUGE WIRE & (1.57)/.062 DIA. INSULATION MAX.
- THIS PART CONFORMS TO CLASS B REQUIREMENTS OF COSMETIC SPECIFICATION PS-45499-002.



SELECT GOLD AREA EC NO: UCP2013-5411 DRW: HKIPPER 2013/06/14 CHKD: JBELL 2013/06/17 APPR: F SMITH 2013/06/28	DESCRIPTION REV	QUALITY SYMBOLS	GENERAL TOLERANCES (UNLESS SPECIFIED)	DIMENSION STYLE	SCALE	DESIGN UNITS	THIRD ANGLE PROJECTION
		▽=0	mm INCH	MM/IN	NTS	METRIC	DRAWN BY DATE AOD 1999/02/20 CHECKED BY DATE DMORIARTY 2004/10/18 APPROVED BY DATE J DENNEHY 2004/10/19 MATERIAL NO. SEE CHART DOCUMENT NO. SD-4809C-**** SHEET NO. 1 OF 1
		▽=0	4 PLACES ± --- ± ---	DRAWN BY DATE	TITLE		
		▽=0	3 PLACES ± --- ± .010	CHECKED BY DATE	ANTI FISH HOOKING TERMINAL KK,(2.50)/.100 WITH CAT EARS		
▽=0	2 PLACES ± 0.25 ± .020	APPROVED BY DATE	<b>molex</b>				
		1 PLACE ± 0.51 ± ---					
		0 PLACE ± ±					
		ANGULAR ± --- °					
		DRAFT WHERE APPLICABLE MUST REMAIN WITHIN DIMENSIONS					