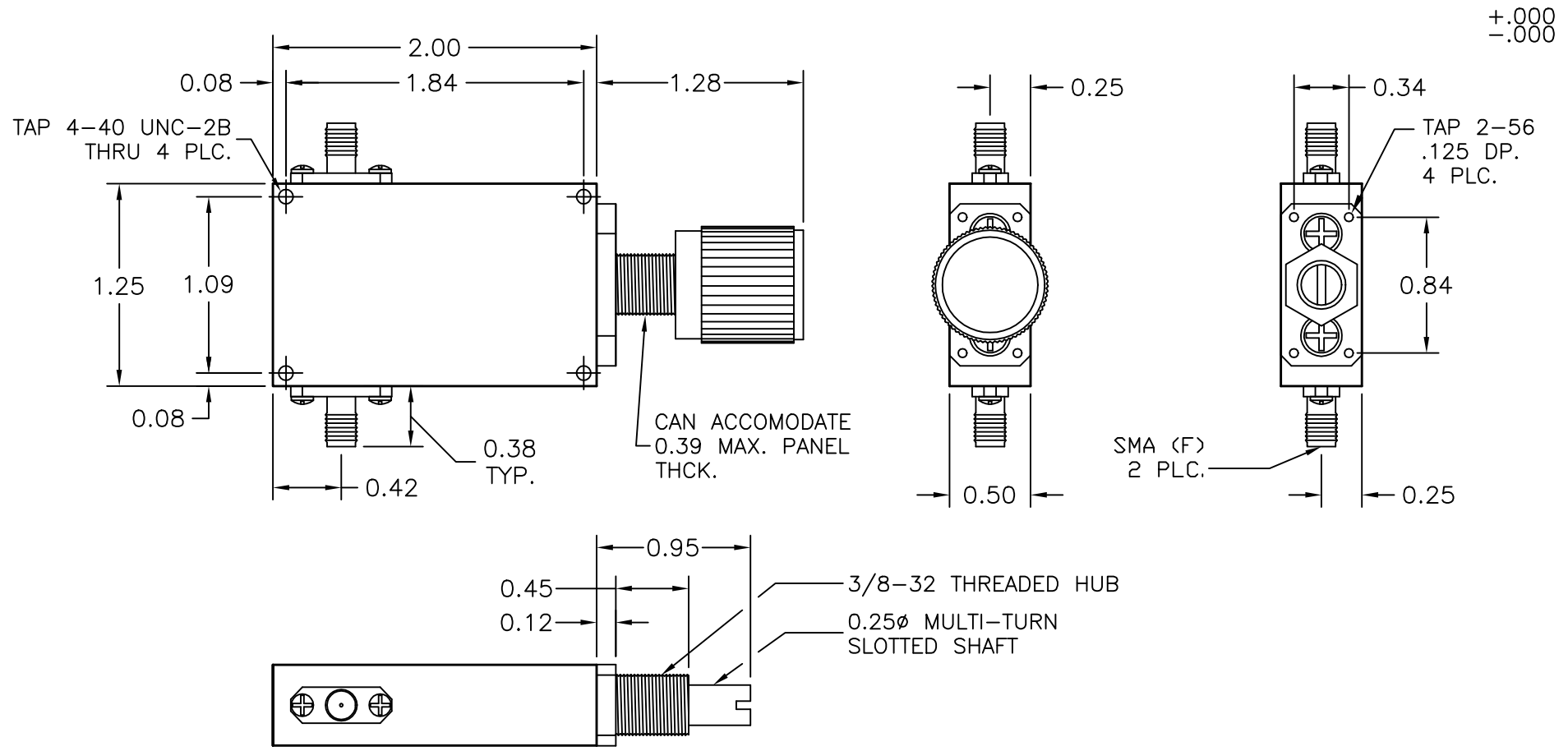


| QUANTITY | MODEL NUMBER | NEXT ASSEMBLY | REVISIONS | | | | |
|----------|--------------|---------------|-----------|-----|-----------------|---------|----------|
| | | | ZONE | REV | DESCRIPTION | DATE | APPROVED |
| 1 | AV/AF97X-XX | 0000 | | A | Initial Release | 11/8/00 | |



| | | | | | | | |
|---|--|--|----------------|--|-------------------|----------------------|--------------|
| THIRD ANGLE PROJECTION = | | DRAWN R. LYNCH | DATE 4/4/01 | ADVANCED TECHNICAL MATERIALS, INC. 49 RIDER AVENUE, PATCHOGUE N.Y. 11772 TEL: (631) 289-0363 FAX: (631) 289-0358 | | | |
| UNLESS OTHERWISE SPECIFIED DIMENSIONS ARE IN INCHES TOLERANCES ARE: FRACTIONS DECIMALS ANGELS $\pm 1/64$ $\pm .01$ $\pm 1/2^\circ$ $\pm .005$ | | PROPRIETARY NOTICE The information contained in this drawing is proprietary and shall not be used or disclosed without the prior written consent of ATM, Inc. | | AV/AF97 ATTENUATOR | | | |
| MATERIAL | | CHECKED | | SIZE A | FSCM NO. OR8N4 | DWG NO. 2787 | REV A |
| FINISH ATM STANDARD GREY | | APPROVED | | SCALE: 1 To 1 | | DO NOT SCALE DRAWING | SHEET 3 OF 3 |