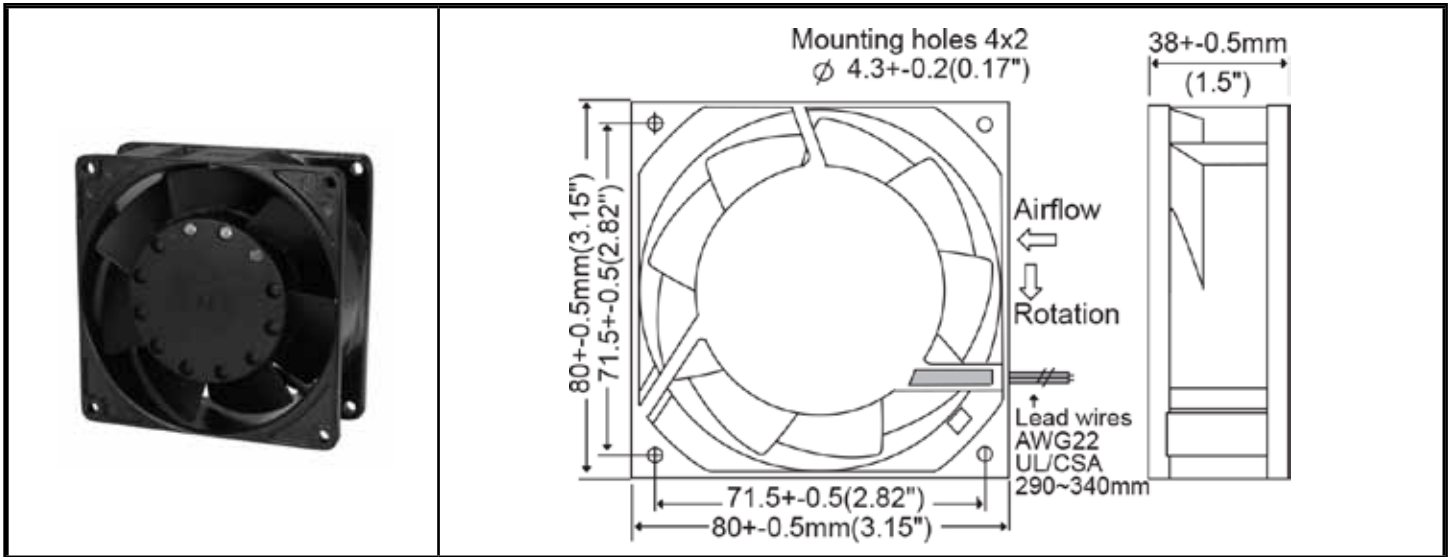


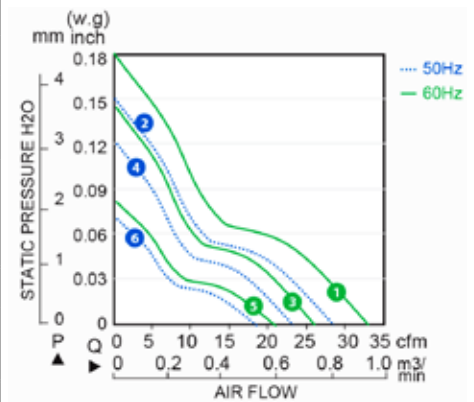
All Metal Fans



AC - Harsh Environment
80 x 38mm (3.15" x 1.5")



Frame	Aluminum Die-cast	Notes
Impeller	Metal alloy	Date: 050113
Connection *	Lead wires or Terminal	Environmental Protection: IP55
Motor	AC Shaded pole, Impedance protected	Storage Temp: -40C ~ +100C
Bearing System	Dual Ball bearing	Weight: 430g (0.95lbs)
Insulation Resistance	>100MOhm at 500VDC	Available AC voltages by special order: 12, 24, 28, 38, 42, 48, 440, 480, and dual voltage. Dual speed also available. Call for information.
Dielectric Strength	> 60 seconds at 1500VAC	
Operating Temp Range	-30C ~ +80C (non-condensing)	* Specify configuration: TB = Terminal, Ball bearing WB = Wire leads, Ball bearing
Life Expectancy	50000 hours (55C)	

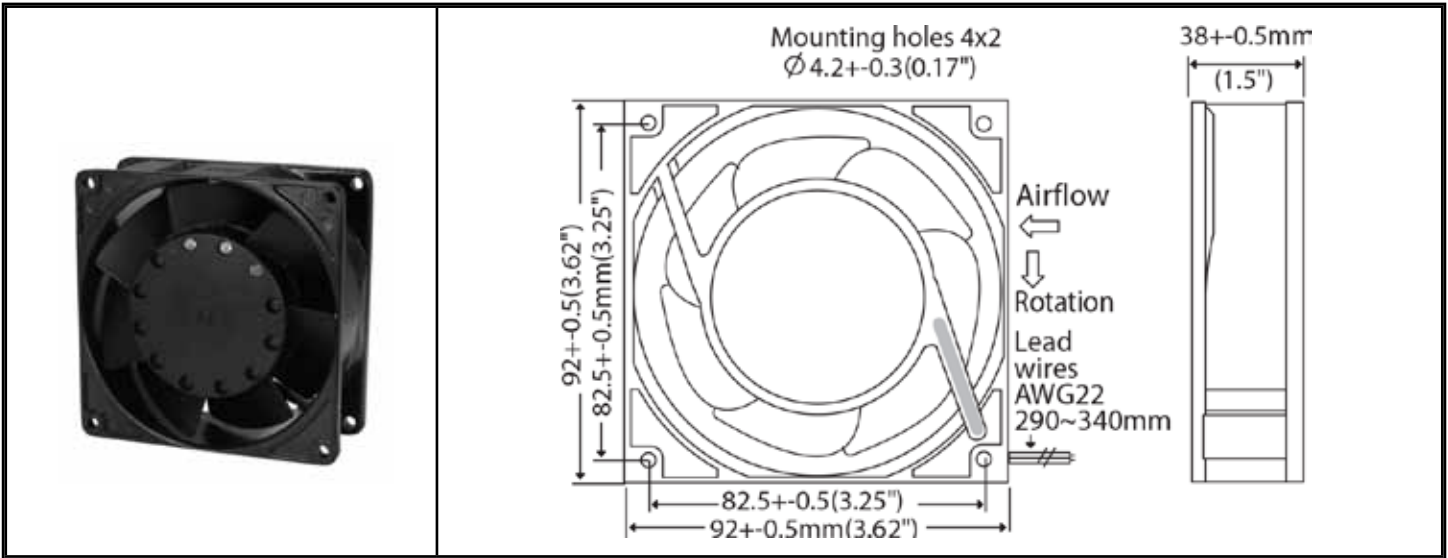


Model No.	Func. Code	Speed (RPM)	Airflow (CFM)	Noise	Volts AC	Voltage Range AC	Watts	Max. Static Pressure ("H ₂ O)	Curves
OA80AP-11-1 *	1855	2750	28	35	115	100 ~ 120	15	0.15	2 (50Hz) 1 (60Hz)
		3200	33					0.18	
OA80AP-11-2 *	1855	2200	23	30	115	100 ~ 120	12	0.12	4 (50Hz) 3 (60Hz)
		2500	26					0.14	
OA80AP-11-3 *	1855	1700	18	23	115	100 ~ 120	8	0.07	6 (50Hz) 5 (60Hz)
		1900	21					0.08	
OA80AP-22-1 *	1855	2750	28	35	230	200 ~ 240	15	0.15	2 (50Hz) 1 (60Hz)
		3200	33					0.18	
OA80AP-22-2 *	1855	2200	23	30	230	200 ~ 240	12	0.12	4 (50Hz) 3 (60Hz)
		2500	26					0.14	
OA80AP-22-3 *	1855	1700	18	23	230	200 ~ 240	8	0.07	6 (50Hz) 5 (60Hz)
		1900	21					0.08	

All Metal Fans



AC - Harsh Environment
92 x 38mm (3.62" x 1.5")



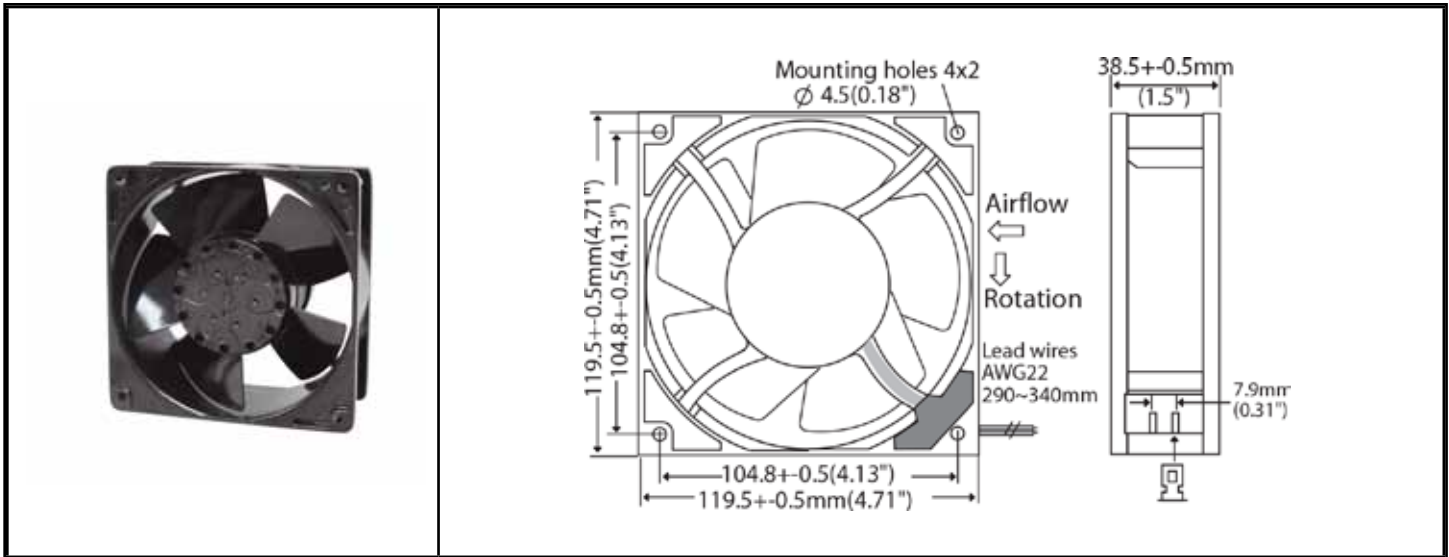
Frame	Aluminum Die-cast	Notes	
Impeller	Metal alloy	Date: 050113	
Connection *	Lead wires or Terminal	Environmental Protection: IP55	
Motor	AC Shaded pole, Impedance protected	Storage Temp: -40C ~ +100C	
Bearing System	Dual Ball bearing	Weight: 480g (1.05 lbs)	
Insulation Resistance	>100MOhm at 500VDC	Available AC voltages by special order: 12, 24, 28, 38, 42, 48, 440, 480. Dual speed also available. Call for information.	
Dielectric Strength	> 60 seconds at 1500VAC		
Operating Temp Range	-30C ~ +80C (non-condensing)	* Specify configuration: TB = Terminal, Ball bearing; WB = Wire leads, Ball bearing	
Life Expectancy	50000 hours (55C)		

Model No.	Func. Code	Speed (RPM)	Airflow (CFM)	Noise	Volts AC	Voltage Range AC	Watts	Max. Static Pressure ("H ₂ O)	Curves
OA938AP-11-1 *	1855	2700 3150	45 55	40	115	100 ~ 120	17 15	0.17 0.22	2 (50Hz) 1 (60Hz)
OA938AP-11-2 *	1855	2350 2600	36 42	33	115	100 ~ 120	13 11	0.14 0.16	4 (50Hz) 3 (60Hz)
OA938AP-11-3 *	1855	1950 1850	29 27	23	115	100 ~ 120	9 7	0.12 0.11	6 (50Hz) 5 (60Hz)
OA938AP-22-1 *	1855	2700 3150	45 55	40	230	200 ~ 240	17 15	0.17 0.22	2 (50Hz) 1 (60Hz)
OA938AP-22-2 *	1855	2350 2600	36 42	33	230	200 ~ 240	13 11	0.14 0.16	4 (50Hz) 3 (60Hz)
OA938AP-22-3 *	1855	1950 1850	29 27	23	230	200 ~ 240	9 7	0.12 0.11	6 (50Hz) 5 (60Hz)

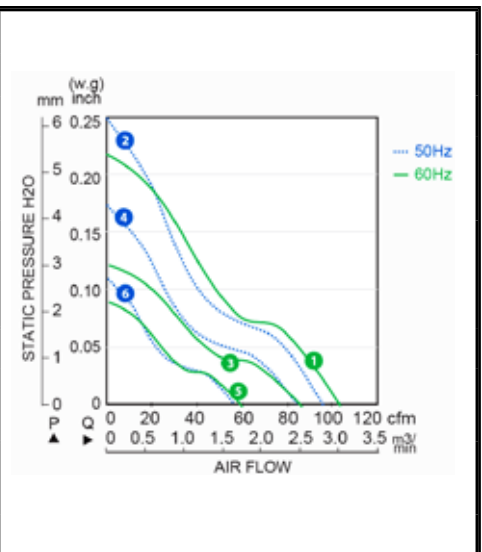
All Metal Fans



AC - Harsh Environment
120 x 38mm (4.7" x 1.5")



Frame	Aluminum Die-cast	Notes
Impeller	Metal alloy	Date: 050113
Connection *	Lead wires or Terminal	Environmental Protection: IP55
Motor	AC Shaded pole, Impedance protected	Storage Temp: -40C ~ +100C
Bearing System	Dual Ball bearing	Weight: 580g (1.27 lbs)
Insulation Resistance	>100MOhm at 500VDC	Available AC voltages by special order: 12, 24, 28, 38, 42, 48, 440, 480. Dual speed also available. Call for information.
Dielectric Strength	> 60 seconds at 1500VAC	
Operating Temp Range	-30C ~ +80C (non-condensing)	* Specify configuration: TB = Terminal, Ball bearing WB = Wire leads, Ball bearing
Life Expectancy	50000 hours (55C)	

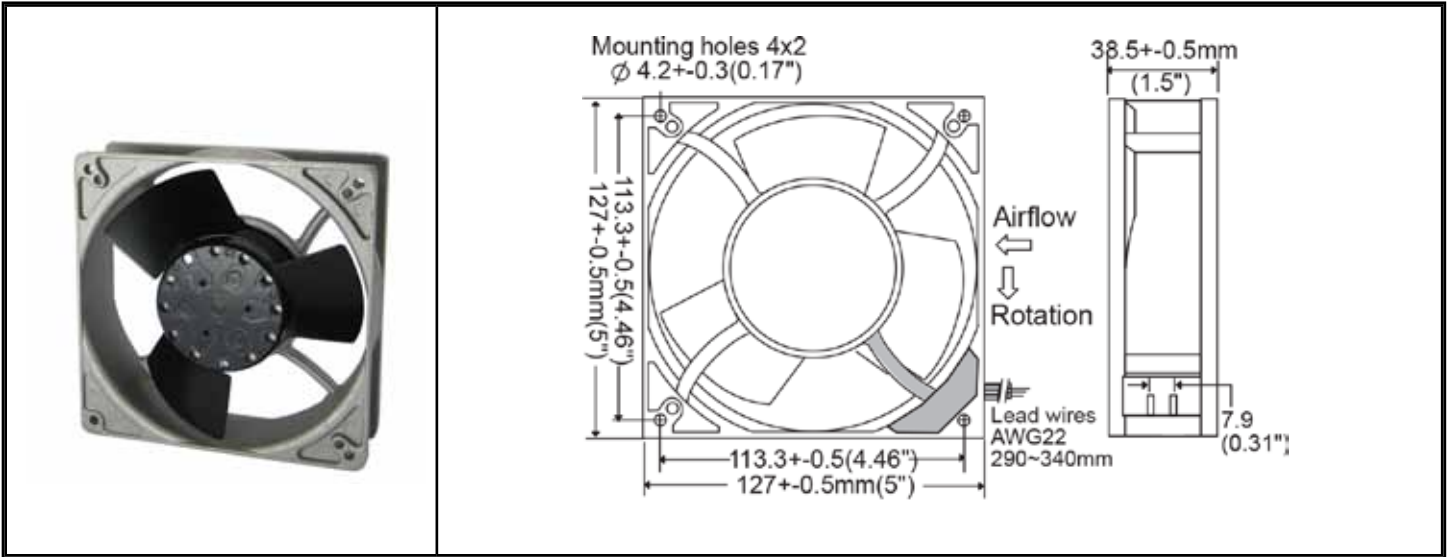


Model No.	Func. Code	Speed (RPM)	Airflow (CFM)	Noise	Volts AC	Voltage Range AC	Watts	Max. Static Pressure ("H ₂ O)	Curves
OA109AP-11-1 *	1855	2650 3100	90 105	48	115	100 ~ 120	21 10	0.25 0.22	2 (50Hz) 1 (60Hz)
OA109AP-11-2 *	1855	2400 2500	82 85	43	115	100 ~ 120	14 13	0.17 0.12	4 (50Hz) 3 (60Hz)
OA109AP-11-3 *	1855	1700 1800	58 60	32	115	100 ~ 120	12 9	0.11 0.09	6 (50Hz) 5 (60Hz)
OA109AP-22-1 *	1855	2650 3100	90 105	48	230	200 ~ 240	21 10	0.25 0.22	2 (50Hz) 1 (60Hz)
OA109AP-22-2 *	1855	2400 2500	82 85	43	230	200 ~ 240	14 13	0.17 0.12	4 (50Hz) 3 (60Hz)
OA109AP-22-3 *	1855	1700 1800	58 60	32	230	200 ~ 240	12 9	0.11 0.09	6 (50Hz) 5 (60Hz)

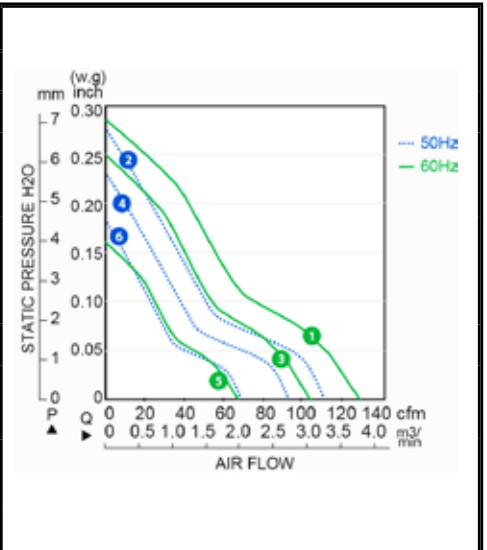
All Metal Fans



AC - Harsh Environment
127 x 38mm (5.0" x 1.5")



Frame	Aluminum Die-cast	Notes
Impeller	Metal alloy	Date: 050113
Connection *	Lead wires or Terminal	Environmental Protection: IP55
Motor	AC Shaded pole, Impedance protected	
Bearing System	Dual Ball bearing	Storage Temp: -40C ~ +100C
Insulation Resistance	>100MOhm at 500VDC	Weight: 630g (1.39 lbs)
Dielectric Strength	> 60 seconds at 1500VAC	
Operating Temp Range	-30C ~ +80C (non-condensing)	* Specify configuration: TB = Terminal, Ball bearing WB = Wire leads, Ball bearing
Life Expectancy	50000 hours (55C)	

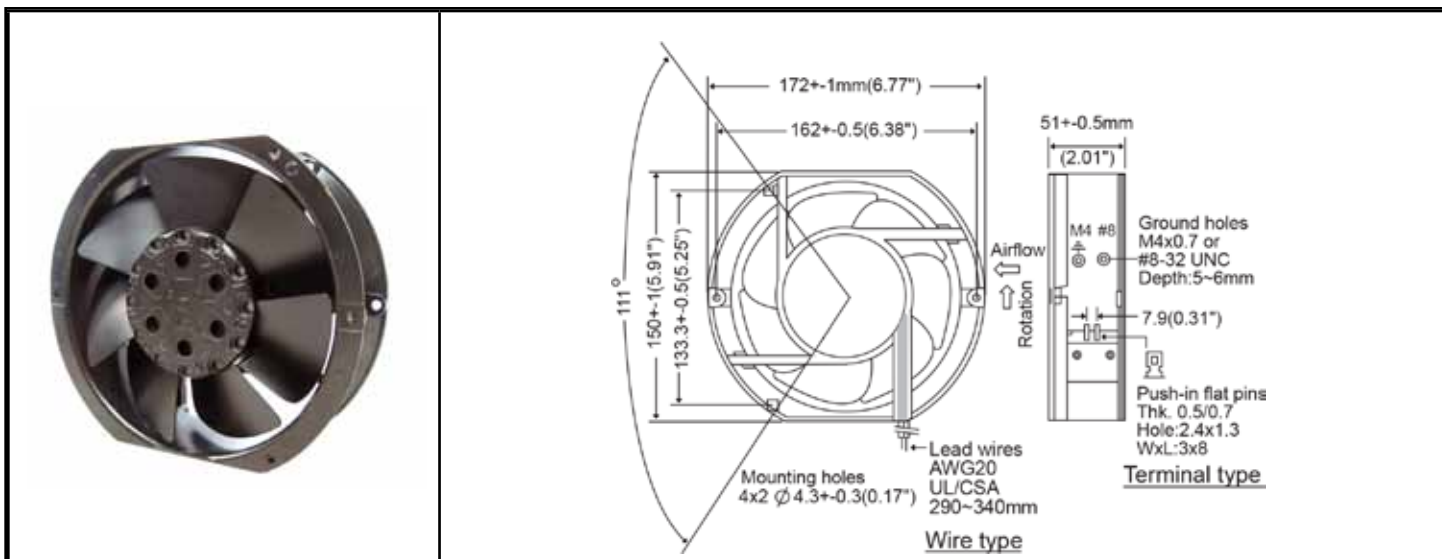


Model No.	Func. Code	Speed (RPM)	Airflow (CFM)	Noise	Volts AC	Voltage Range AC	Watts	Max. Static Pressure ("H ₂ O)	Curves
OA119AP-11-1 *	1855	2600	110	48	115	100 ~ 120	29	0.27	2 (50Hz)
		2950	128				26	0.29	1 (60Hz)
OA119AP-11-2 *	1855	2300	95	42	115	100 ~ 120	23	0.23	4 (50Hz)
		2400	105				20	0.25	3 (60Hz)
OA119AP-11-3 *	1855	1600	68	28	115	100 ~ 120	18	0.18	6 (50Hz)
		1500	65				15	0.16	5 (60Hz)
OA119AP-22-1 *	1855	2600	110	48	230	200 ~ 240	29	0.27	2 (50Hz)
		2950	128				26	0.29	1 (60Hz)
OA119AP-22-2 *	1855	2300	95	42	230	200 ~ 240	23	0.23	4 (50Hz)
		2400	105				20	0.25	3 (60Hz)
OA119AP-22-3 *	1855	1600	68	28	230	200 ~ 240	18	0.18	6 (50Hz)
		1500	65				15	0.16	5 (60Hz)

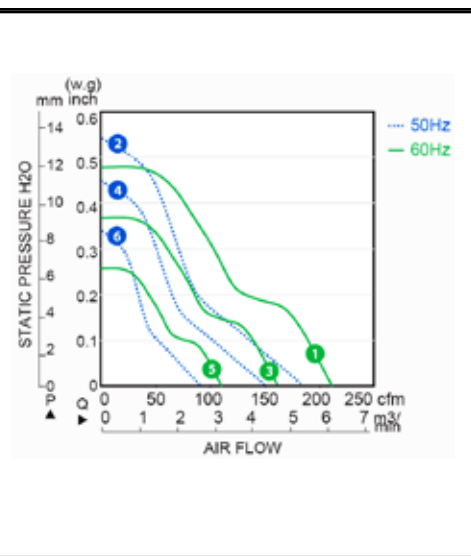
All Metal Fans



AC - Harsh Environment
172 x 150 x 51mm (6.7" x 5.9" x 2")



Frame	Aluminum Die-cast	Notes
Impeller	Metal alloy	Date: 050113
Connection *	Lead wires or Terminal	Environmental Protection: IP55
Motor	AC Shaded pole, Thermal protection	Storage Temp: -40C ~ +100C
Bearing System	Dual Ball bearing	Weight: 1200g (2.65 lbs)
Insulation Resistance	>100MOhm at 500VDC	Available AC voltages by special order: 12, 24, 28, 38, 42, 48, 440, 480. Dual speed also available. Call for information.
Dielectric Strength	> 60 seconds at 1500VAC	
Operating Temp Range	-30C ~ +80C (non-condensing)	* Specify configuration: TB = Terminal, Ball bearing; WB = Wire leads, Ball bearing
Life Expectancy	50000 hours (55C)	

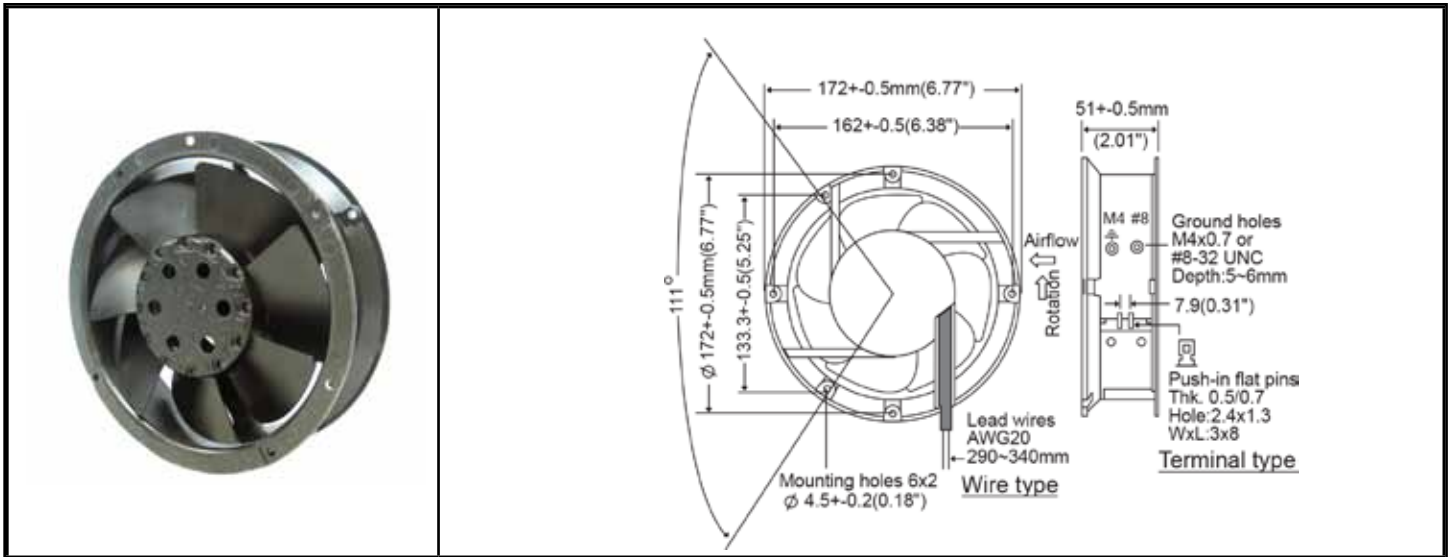


Model No.	Func. Code	Speed (RPM)	Airflow (CFM)	Noise	Volts AC	Voltage Range AC	Watts	Max. Static Pressure ("H ₂ O)	Curves
OA172SAP-11-1 *	1855	2750 3100	185 210	58	115	100 ~ 120	47 42	0.55 0.49	2 (50Hz) 1 (60Hz)
OA172SAP-11-2 *	1855	2300 2400	150 160	48	115	100 ~ 120	35 32	0.45 0.38	4 (50Hz) 3 (60Hz)
OA172SAP-11-3 *	1855	1500 1600	95 105	35	115	100 ~ 120	23 20	0.32 0.26	6 (50Hz) 5 (60Hz)
OA172SAP-22-1 *	1855	2750 3100	185 210	58	230	200 ~ 240	47 42	0.55 0.49	2 (50Hz) 1 (60Hz)
OA172SAP-22-2 *	1855	2300 2400	150 160	48	230	200 ~ 240	35 32	0.45 0.38	4 (50Hz) 3 (60Hz)
OA172SAP-22-3 *	1855	1500 1600	95 105	35	230	200 ~ 240	23 20	0.32 0.26	6 (50Hz) 5 (60Hz)

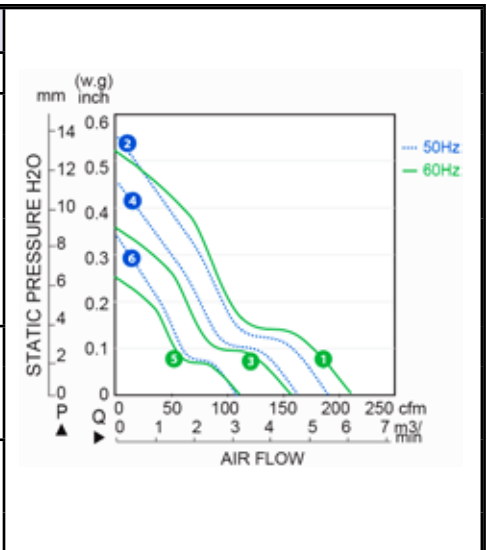
All Metal Fans



AC - Harsh Environment
172 x 51mm (6.7" x 2.0")



Frame	Aluminum Die-cast	Notes
Impeller	Metal alloy	Date: 050113
Connection *	Lead wires or Terminal	Environmental Protection: IP55
Motor	AC Shaded pole, Thermal protection	Storage Temp: -40C ~ +100C
Bearing System	Dual Ball bearing	Weight: 1350g (2.98 lbs)
Insulation Resistance	>100MOhm at 500VDC	Available AC voltages by special order: 12, 24, 28, 38, 42, 48, 440, 480. Dual speed also available. Call for information.
Dielectric Strength	> 60 seconds at 1500VAC	
Operating Temp Range	-30C ~ +80C (non-condensing)	* Specify configuration: TB = Terminal, Ball bearing WB = Wire leads, Ball bearing
Life Expectancy	50000 hours (55C)	

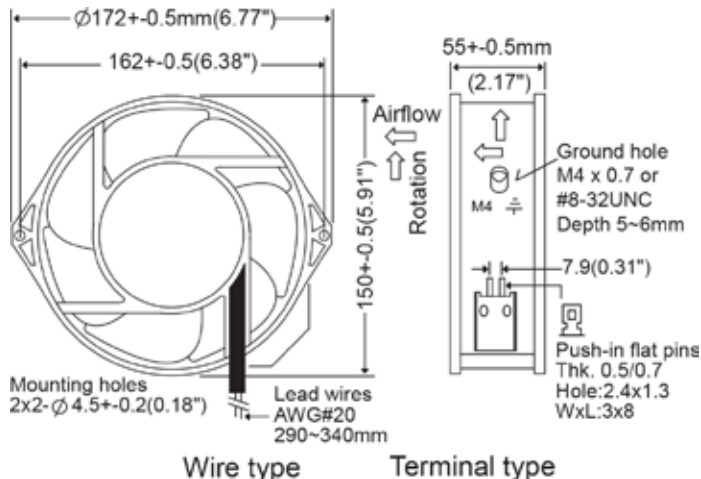


Model No.	Func. Code	Speed (RPM)	Airflow (CFM)	Noise	Volts AC	Voltage Range AC	Watts	Max. Static Pressure ("H ₂ O)	Curves
OA172AP-11-1 *	1855	2750 3200	190 215	59	115	100 ~ 120	47 42	0.57 0.51	2 (50Hz) 1 (60Hz)
OA172AP-11-2 *	1855	2350 2300	162 155	48	115	100 ~ 120	35 32	0.46 0.37	4 (50Hz) 3 (60Hz)
OA172AP-11-3 *	1855	1500 1600	105 110	36	115	100 ~ 120	23 20	0.33 0.27	6 (50Hz) 5 (60Hz)
OA172AP-22-1 *	1855	2750 3200	190 215	59	230	200 ~ 240	47 42	0.57 0.51	2 (50Hz) 1 (60Hz)
OA172AP-22-2 *	1855	2350 2300	162 155	48	230	200 ~ 240	35 32	0.46 0.37	4 (50Hz) 3 (60Hz)
OA172AP-22-3 *	1855	1500 1600	105 110	36	230	200 ~ 240	23 20	0.33 0.27	6 (50Hz) 5 (60Hz)

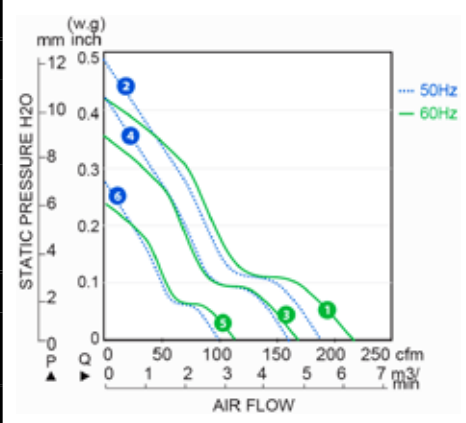
All Metal Fans



AC - Harsh Environment
172 x 55mm (6.7" x 2.17")



Frame	Aluminum Die-cast	Notes
Impeller	Metal alloy	Date: 050113
Connection *	Lead wires or Terminal	Environmental Protection: IP55
Motor	AC Shaded pole, Thermal protection	
Bearing System	Dual Ball bearing	Storage Temp: -40C ~ +100C
Insulation Resistance	>100MOhm at 500VDC	Weight: 1200g (2.7 lbs)
Dielectric Strength	> 60 seconds at 1500VAC	
Operating Temp Range	-30C ~ +80C (non-condensing)	* Specify configuration: TB = Terminal, Ball bearing WB = Wire leads, Ball bearing
Life Expectancy	50000 hours (55C)	

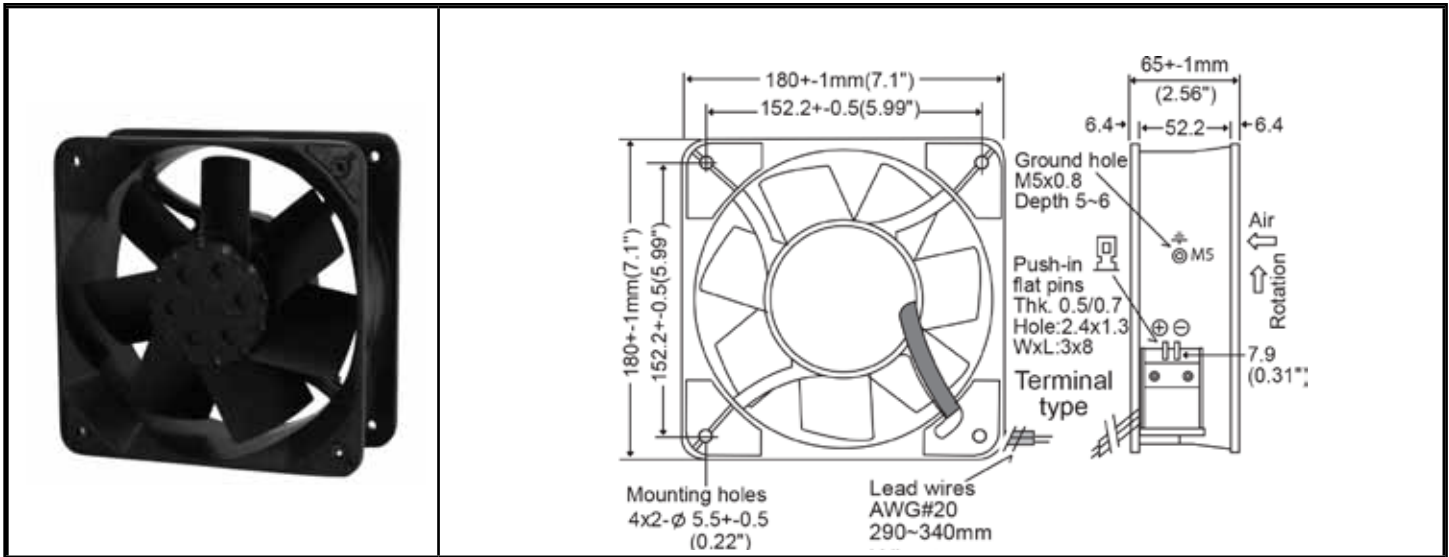


Model No.	Func. Code	Speed (RPM)	Airflow (CFM)	Noise	Volts AC	Voltage Range AC	Watts	Max. Static Pressure ("H ₂ O)	Curves
OA162AP-11-1 *	1855	2750 3200	183 210	54	115	100 ~ 120	47 42	0.49 0.42	2 (50Hz) 1 (60Hz)
OA162AP-11-2 *	1855	2400 2500	160 165	46	115	100 ~ 120	35 32	0.42 0.35	4 (50Hz) 3 (60Hz)
OA162AP-11-3 *	1855	1500 1600	100 110	35	115	100 ~ 120	23 20	0.28 0.22	6 (50Hz) 5 (60Hz)
OA162AP-22-1 *	1855	2750 3200	183 210	54	230	200 ~ 240	47 42	0.49 0.42	2 (50Hz) 1 (60Hz)
OA162AP-22-2 *	1855	2400 2500	160 165	46	230	200 ~ 240	35 32	0.42 0.35	4 (50Hz) 3 (60Hz)
OA162AP-22-3 *	1855	1500 1600	100 110	35	230	200 ~ 240	23 20	0.28 0.22	6 (50Hz) 5 (60Hz)

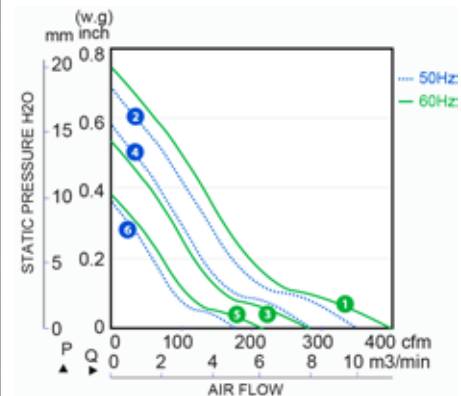
All Metal Fans



AC - Harsh Environment
180 x 65mm (7.1" x 2.56")



Frame	Aluminum Die-cast	Notes
Impeller	Metal alloy	Date: 050113
Connection *	Lead wires or Terminal	Environmental Protection: IP55
Motor	AC Shaded pole, Thermal protection	Storage Temp: -40C ~ +100C
Bearing System	Dual Ball bearing	Weight: 1700g (3.75 lbs)
Insulation Resistance	>100MOhm at 500VDC	Available AC voltages by special order: 12, 24, 28, 38, 42, 48, 440, 480. Dual speed also available. Call for information.
Dielectric Strength	> 60 seconds at 1500VAC	* Specify configuration: TB = Terminal, Ball bearing WB = Wire leads, Ball bearing
Operating Temp Range	-30C ~ +80C (non-condensing)	
Life Expectancy	50000 hours (55C)	

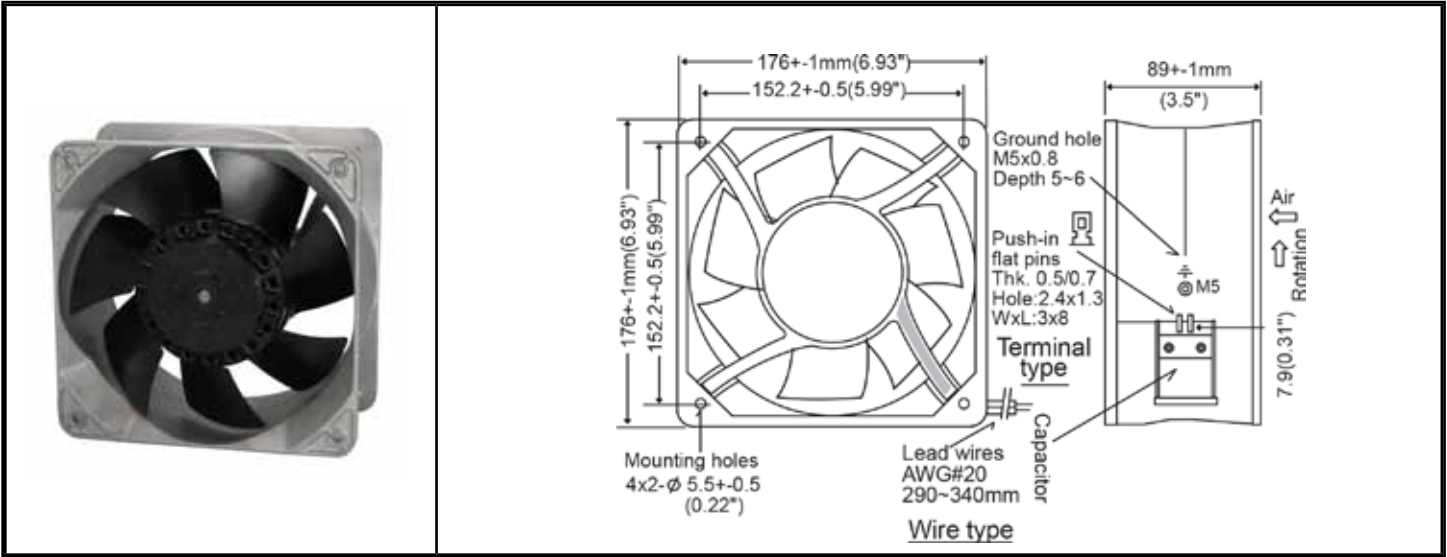


Model No.	Func. Code	Speed (RPM)	Airflow (CFM)	Noise	Volts AC	Voltage Range AC	Watts	Max. Static Pressure ("H ₂ O)	Curves
OA180APL-11-1 *	1855	2700 3200	320 370	63	115	100 ~ 120	88 76	0.68 0.75	2 (50Hz) 1 (60Hz)
OA180APL-11-2 *	1855	2300 2200	270 260	52	115	100 ~ 120	62 52	0.58 0.52	4 (50Hz) 3 (60Hz)
OA180APL-11-3 *	1855	1400 1650	165 200	40	115	100 ~ 120	45 35	0.35 0.38	6 (50Hz) 5 (60Hz)
OA180APL-22-1 *	1855	2700 3200	320 370	63	230	200 ~ 240	88 76	0.68 0.75	2 (50Hz) 1 (60Hz)
OA180APL-22-2 *	1855	2300 2200	270 260	52	230	200 ~ 240	62 52	0.58 0.52	4 (50Hz) 3 (60Hz)
OA180APL-22-3 *	1855	1400 1650	165 200	40	230	200 ~ 240	45 35	0.35 0.38	6 (50Hz) 5 (60Hz)

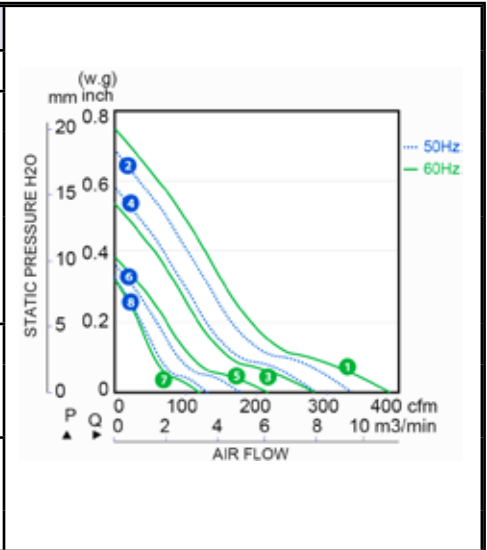
All Metal Fans



AC - Harsh Environment
176 x 89mm (6.9" x 3.5")



Frame	Aluminum Die-cast	Notes
Impeller	Metal alloy	Date: 050113
Connection *	Lead wires or Terminal	Environmental Protection: IP55
Motor	AC Capacitor Inductance, Thermal protection	Storage Temp: -40C ~ +100C
Bearing System	Dual Ball bearing	Weight: 1850g (4.08 lbs)
Insulation Resistance	>100MΩ at 500VDC	Available AC voltages by special order: 12, 24, 28, 38, 42, 48, 440, 480. Dual speed also available. Call for information.
Dielectric Strength	> 60 seconds at 1500VAC	
Operating Temp Range	-30C ~ +80C (non-condensing)	* Specify configuration: TB = Terminal, Ball bearing; WB = Wire leads, Ball bearing
Life Expectancy	50000 hours (55C)	

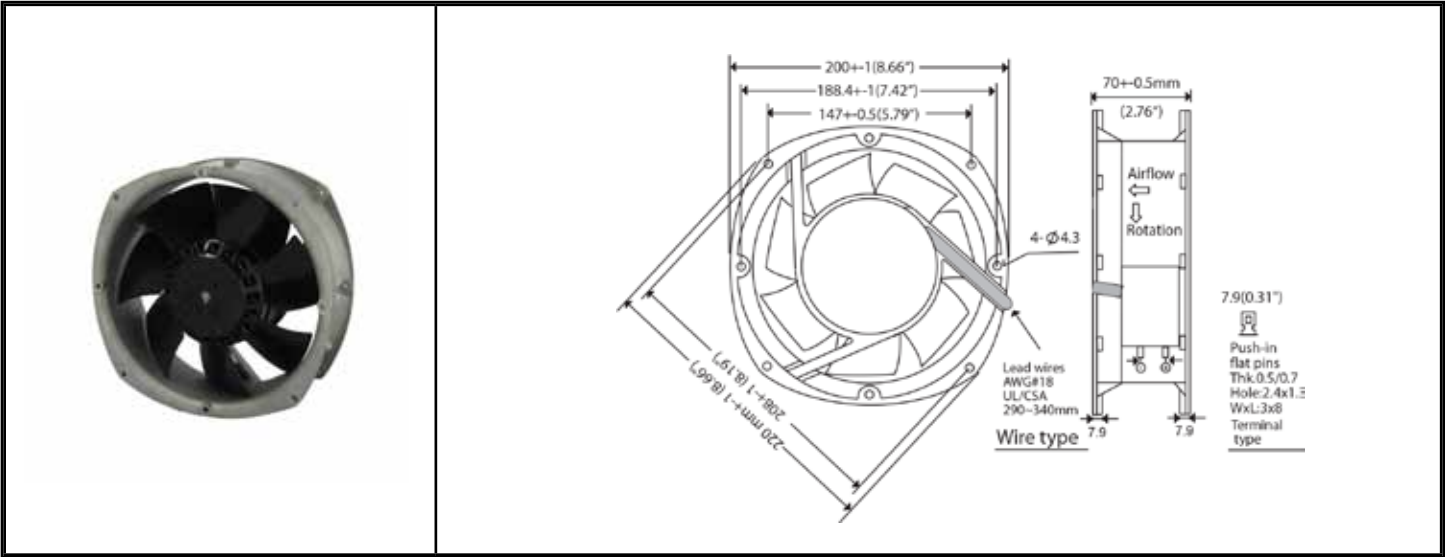


Model No.	Func. Code	Speed (RPM)	Airflow (CFM)	Noise	Volts AC	Voltage Range AC	Watts	Max. Static Pressure ("H ₂ O)	Curves
OA180AN-11-1 *	1856	2750 3250	330 380	63	115	100 ~ 120	45 50	0.69 0.76	2 (50Hz) 1 (60Hz)
OA180AN-11-2 *	1856	2350 2250	285 275	52	115	100 ~ 120	30 35	0.59 0.53	4 (50Hz) 3 (60Hz)
OA180AN-11-3 *	1856	1450 1650	175 210	41	115	100 ~ 120	21 23	0.36 0.39	6 (50Hz) 5 (60Hz)
OA180AN-22-1 *	1856	2750 3250	330 380	63	230	200 ~ 240	45 50	0.69 0.76	2 (50Hz) 1 (60Hz)
OA180AN-22-2 *	1856	2350 2250	285 275	52	230	200 ~ 240	30 35	0.59 0.53	4 (50Hz) 3 (60Hz)
OA180AN-22-3 *	1856	1450 1650	175 210	41	230	200 ~ 240	21 23	0.36 0.39	6 (50Hz) 5 (60Hz)

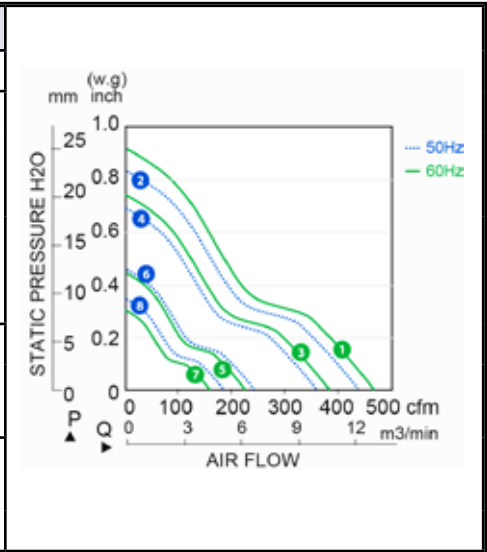
All Metal Fans



AC - Harsh Environment 200x220x70mm (7.8" x 2.8")



Frame	Aluminum Die-cast	Notes
Impeller	Metal alloy	Date: 050113
Connection *	Lead wires or Terminal	Environmental Protection: IP55
Motor	AC Capacitor Inductance, Thermal protection	Storage Temp: -40C ~ +100C
Bearing System	Dual Ball bearing	Weight: 1800g (3.97 lbs)
Insulation Resistance	>100MΩ at 500VDC	Available AC voltages by special order: 12, 24, 28, 38, 42, 48, 440, 480. Dual speed also available. Call for information.
Dielectric Strength	> 60 seconds at 1500VAC	
Operating Temp Range	-30C ~ +80C (non-condensing)	* Specify configuration: TB = Terminal, Ball bearing WB = Wire leads, Ball bearing
Life Expectancy	50000 hours (55C)	

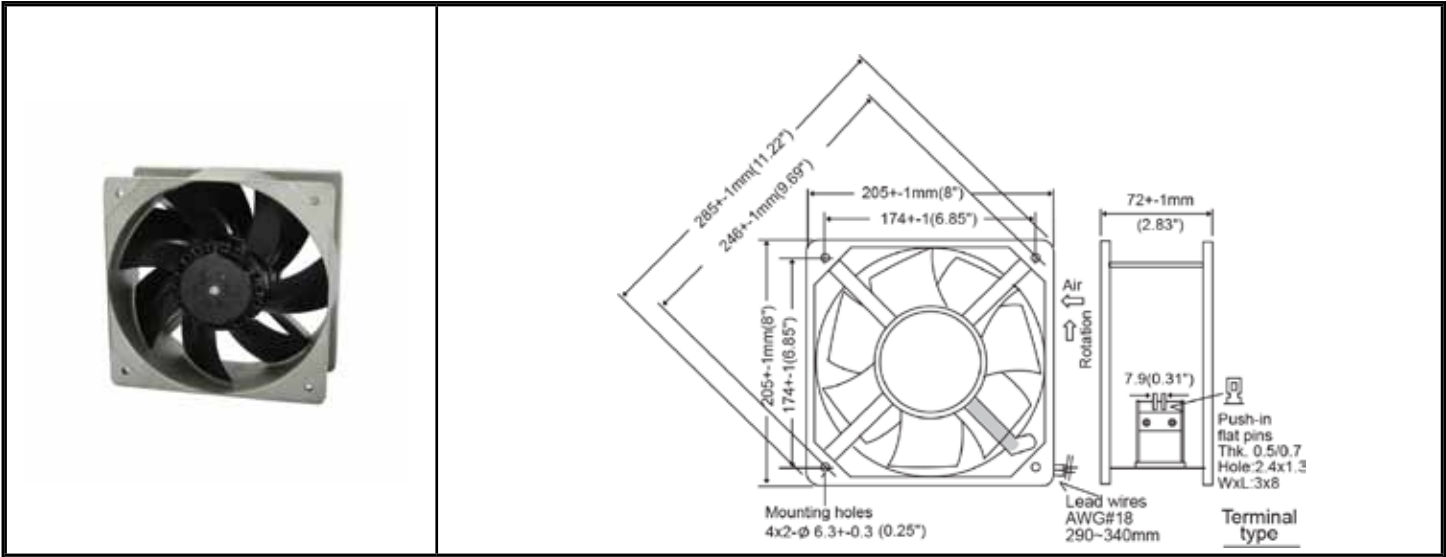


Model No.	Func. Code	Speed (RPM)	Airflow (CFM)	Noise	Volts AC	Voltage Range AC	Watts	Max. Static Pressure ("H ₂ O)	Curves
OA200AN-11-1 *	1855	2800 3300	430 485	68	115	100 ~ 120	95 105	0.82 0.93	2 (50Hz) 1 (60Hz)
OA200AN-11-2 *	1855	2400 2600	365 395	54	115	100 ~ 120	80 95	0.68 0.75	4 (50Hz) 3 (60Hz)
OA200AN-11-3 *	1855	1600 1500	245 230	43	115	100 ~ 120	32 40	0.46 0.42	6 (50Hz) 5 (60Hz)
OA200AN-22-1 *	1855	2800 3300	430 485	68	230	200 ~ 240	95 105	0.82 0.93	2 (50Hz) 1 (60Hz)
OA200AN-22-2 *	1855	2400 2600	365 395	54	230	200 ~ 240	80 95	0.68 0.75	4 (50Hz) 3 (60Hz)
OA200AN-22-3 *	1855	1600 1500	245 230	43	230	200 ~ 240	32 40	0.46 0.42	6 (50Hz) 5 (60Hz)

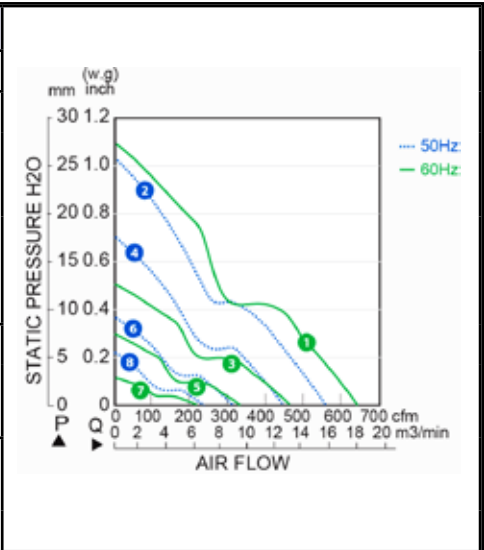
All Metal Fans



AC - Harsh Environment 205x72mm (8.0" x 2.8")



Frame	Aluminum Die-cast	Notes
Impeller	Metal alloy	Date: 050113
Connection *	Lead wires or Terminal	Environmental Protection: IP56
Motor	AC Capacitor Induc- tance, Thermal protection	
Bearing System	Dual Ball bearing	Storage Temp: -40C ~ +100C
Insulation Resistance	>100MOhm at 500VDC	Weight: 2300g (5.07 lbs)
Dielectric Strength	> 60 seconds at 1500VAC	
Operating Temp Range	-30C ~ +80C (non-condensing)	* Specify configuration: TB = Terminal, Ball bearing WB = Wire leads, Ball bearing
Life Expectancy	50000 hours (55C)	

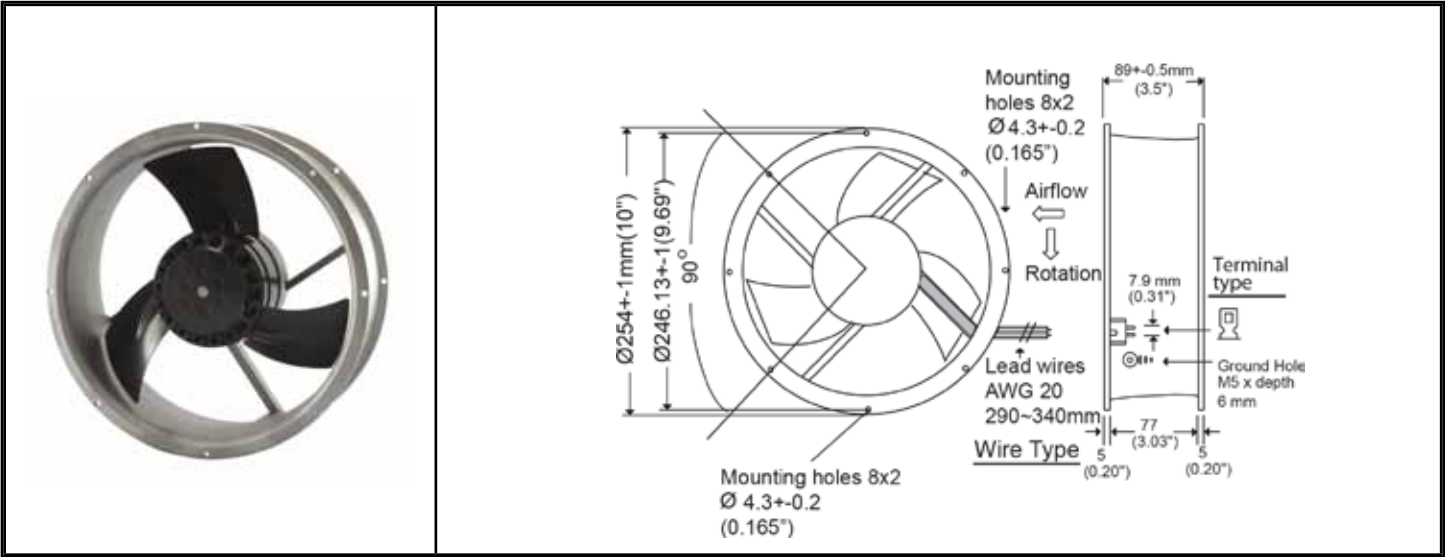


Model No.	Func. Code	Speed (RPM)	Airflow (CFM)	Noise	Volts AC	Voltage Range AC	Watts	Max. Static Pressure ("H ₂ O)	Curves
OA205AN-11-1 *	1855	2800 3200	550 650	68	115	100 ~ 120	95 105	1.05 1.08	2 (50Hz) 1 (60Hz)
OA205AN-11-2 *	1855	2300 2250	460 465	58	115	100 ~ 120	55 65	0.69 0.52	4 (50Hz) 3 (60Hz)
OA205AN-11-3 *	1855	1500 1650	310 330	48	115	100 ~ 120	32 40	0.38 0.29	6 (50Hz) 5 (60Hz)
OA205AN-22-1 *	1855	2800 3200	550 650	68	230	200 ~ 240	95 105	1.05 1.08	2 (50Hz) 1 (60Hz)
OA205AN-22-2 *	1855	2300 2250	460 465	58	230	200 ~ 240	55 65	0.69 0.52	4 (50Hz) 3 (60Hz)
OA205AN-22-3 *	1855	1500 1650	310 330	48	230	200 ~ 240	32 40	0.38 0.29	6 (50Hz) 5 (60Hz)

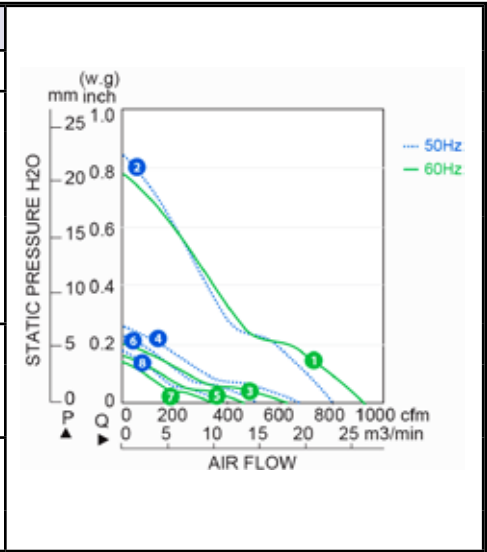
All Metal Fans



AC - Harsh Environment 254x89mm (10" x 3.5")



Frame	Aluminum Die-cast	Notes
Impeller	Metal alloy	Date: 050113
Connection *	Lead wires or Terminal	Environmental Protection: IP56
Motor	AC Capacitor Inductance, Thermal protection	Storage Temp: -40C ~ +100C
Bearing System	Dual Ball bearing	Weight: 2100g (4.63 lbs)
Insulation Resistance	>100MOhm at 500VDC	Available AC voltages by special order: 12, 24, 28, 38, 42, 48, 440, 480. Dual speed also available. Call for information.
Dielectric Strength	> 60 seconds at 1500VAC	
Operating Temp Range	-30C ~ +80C (non-condensing)	* Specify configuration: TB = Terminal, Ball bearing WB = Wire leads, Ball bearing
Life Expectancy	50000 hours (55C)	

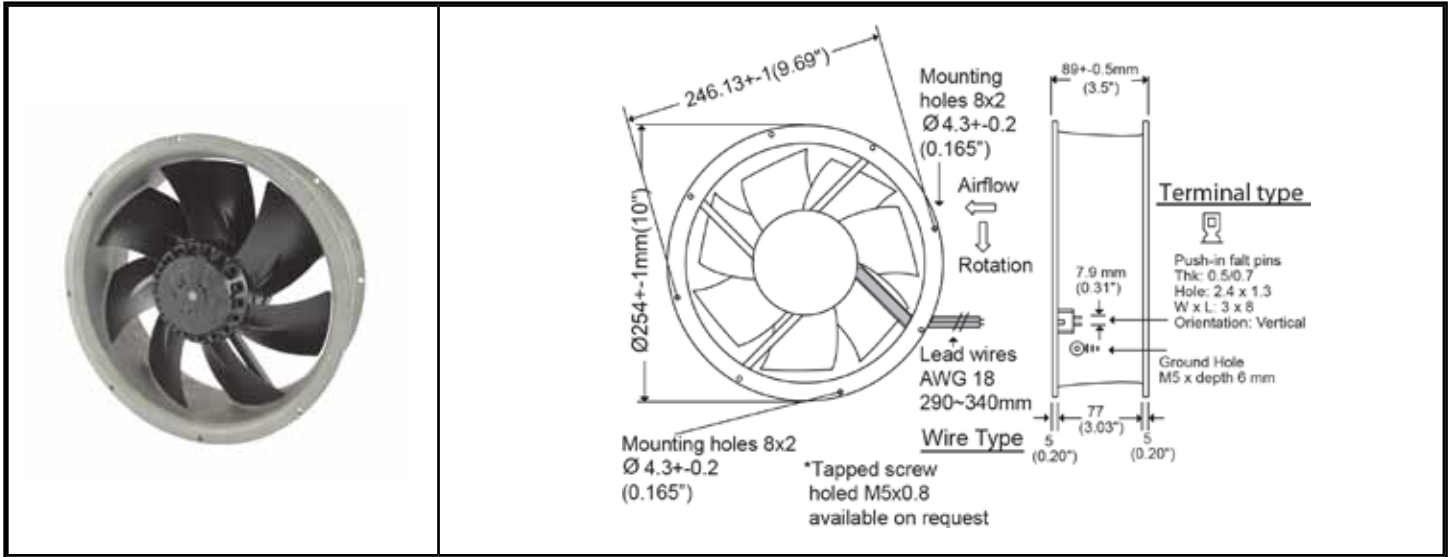


Model No.	Func. Code	Speed (RPM)	Airflow (CFM)	Noise	Volts AC	Voltage Range AC	Watts	Max. Static Pressure ("H ₂ O)	Curves
OA2543AN-11-1 *	1855	2800 3300	800 930	66	115	100 ~ 120	95 105	0.84 0.78	2 (50Hz) 1 (60Hz)
OA2543AN-11-2 *	1855	2300 2000	670 615	53	115	100 ~ 120	80 95	0.25 0.20	4 (50Hz) 3 (60Hz)
OA2543AN-11-3 *	1855	1650 1500	510 460	48	115	100 ~ 120	32 40	0.22 0.17	6 (50Hz) 5 (60Hz)
OA2543AN-22-1 *	1855	2800 3300	800 930	66	230	200 ~ 240	95 105	0.84 0.78	2 (50Hz) 1 (60Hz)
OA2543AN-22-2 *	1855	2300 2000	670 615	53	230	200 ~ 240	80 95	0.25 0.20	4 (50Hz) 3 (60Hz)
OA2543AN-22-3 *	1855	1650 1500	510 460	48	230	200 ~ 240	32 40	0.22 0.17	6 (50Hz) 5 (60Hz)

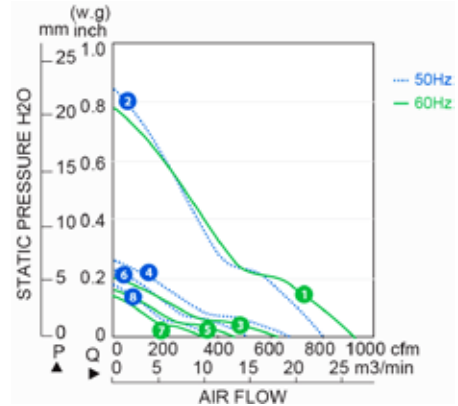
All Metal Fans



AC - Harsh Environment 254x89mm (10" x 3.5")



Frame	Aluminum Die-cast	Notes
Impeller	Metal alloy	Date: 050113
Connection *	Lead wires or Terminal	Environmental Protection: IP56
Motor	AC Capacitor Induc- tance, Thermal protection	
Bearing System	Dual Ball bearing	Storage Temp: -40C ~ +100C
Insulation Resistance	>100MΩ at 500VDC	Weight: 2400g (5.92 lbs)
Dielectric Strength	> 60 seconds at 1500VAC	
Operating Temp Range	-30C ~ +80C (non-condensing)	* Specify configuration: TB = Terminal, Ball bearing WB = Wire leads, Ball bearing
Life Expectancy	50000 hours (55C)	



Model No.	Func. Code	Speed (RPM)	Airflow (CFM)	Noise	Volts AC	Voltage Range AC	Watts	Max. Static Pressure ("H ₂ O)	Curves
OA2547AN-11-1 *	1855	2800 3250	840 1000	70	115	100 ~ 120	95 105	0.78 0.60	2 (50Hz) 1 (60Hz)
OA2547AN-11-2 *	1855	2300 2200	660 620	63	115	100 ~ 120	80 95	0.33 0.27	4 (50Hz) 3 (60Hz)
OA2547AN-11-3 *	1855	1600 1500	560 500	46	115	100 ~ 120	32 40	0.25 0.20	6 (50Hz) 5 (60Hz)
OA2547AN-22-1 *	1855	2800 3250	840 1000	70	230	200 ~ 240	95 105	0.78 0.60	2 (50Hz) 1 (60Hz)
OA2547AN-22-2 *	1855	2300 2200	660 620	63	230	200 ~ 240	80 95	0.33 0.27	4 (50Hz) 3 (60Hz)
OA2547AN-22-3 *	1855	1600 1500	560 500	46	230	200 ~ 240	32 40	0.25 0.20	6 (50Hz) 5 (60Hz)

Mouser Electronics

Authorized Distributor

Click to View Pricing, Inventory, Delivery & Lifecycle Information:

Orion Fans:

[OA938AP-22-1WB1855](#) [OA938AP-11-1TB1855](#) [OA938AP-11-1WB1855](#) [OA938AP-22-1TB1855](#)