

Type YM Series

Thermometrics

PTC Thermistors



Description

GE's YM Series consists of a range of radially-wired PTC disc thermistors with silicone resin coating.

Features

- Fast switching times
- Operation up to 265V rms
- Wide range of operating current levels
- Excellent stability
- Fail-safe operation
- Solid state
- High performance barium titanate ceramic
- Suitable for automatic PCB insertion

Applications

- Designed for general purpose over-current, overvoltage and direct over-temperature protection

Packaging

All types in the YM range are available loosepacked, as shown in the drawing. Devices are also available on bandolier (tape & reel): types with diameter $a < 12$ mm comply with IEC 286-2.

To identify the packaging required, replace N in the product codes shown in table as follows:

YM

BandolieredR*
Loose-packedN

YQS

BandolieredAdd T suffix

Pack quantities:

Loose-packed500-2500/box
Bandoliered : 375-1500/reel

*YM120D260N150

*YM120D370N100

Not available taped and reeled



Electrical Specifications

Maximum Operating Voltage

265V rms

Switch Temperature

120°C nominal

Tolerance on R_{25}

±20%

Ambient Temperature Range

At Storage: -25 to +155°C

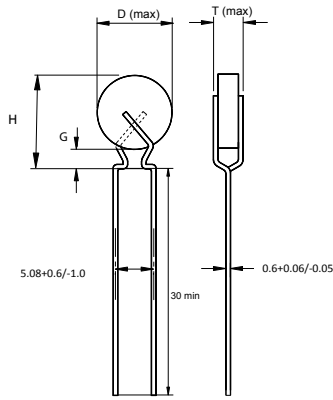
At Maximum Voltage: 0 to +55°C

Lead Wire Material

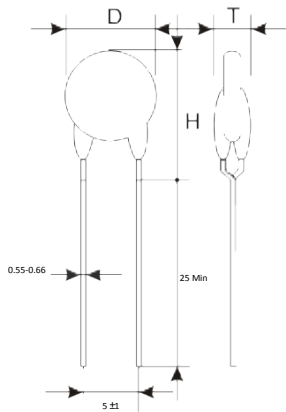
Tin-coated copper

Body Coating

Silicone resin, black YM, green YQS



YM Drawing



YQS Drawing

Part Number	Replacement for	R @ 25°C Ω	Maximum Current without Tripping (I_{nt}) mA		Minimum Trip Current (I_t) mA		Maximum Overload Current (I_{mo}) A	Maximum Residual Current (I_{res}) mA	D (max) mm	T (max) mm	H (max) mm	G mm
			T=25°C	T=55°C	T=25°C	T=10°C						
YM120C15N182		1800	16	14	23	28	0.1	5	4	5	8	
YM120C20N122		1200	20	17	28	34	0.1	6	4	5	8	
YQS8070	YM120C30N601	600	22	18	40	46	0.2	5	4.5	5	8	
YQS8069	YM120C45N301	300	33	26	55	62	0.2	7	4.5	5	9	
YQS8068	YM120C80N101	100	65	50	98	108	0.4	7	5.5	5	12	
YQS8067	YM120D105N600	60	85	65	131	144	0.6	9	6	4.5	12	
YM120D125N450		45	110	85	155	170	0.7	9	7	4.5		2+0.5,-1
YQS8066	YM120D150N330	33	128	99	181	198	0.9	12	7.5	4.5	12	
YM120D170N250		25	161	125	228	250	1.1	10	8.5	4.5		2+0.5,-1
YQS8065	YM120D200N200	20	168	130	265	298	1.3	10	9.5	4.5	15	
YM120D260N150		15	234	181	330	362	1.7	12	11.5	4.5		2+0.5,-1
YM120D370N100		10	314	243	444	486	2.7	16	14.5	4.5		2+0.5,-1



www.ge-mcs.com

920-627A

Mouser Electronics

Authorized Distributor

Click to View Pricing, Inventory, Delivery & Lifecycle Information:

GE Measurement & Control:

[YQS8067](#) [YQS8066](#) [YQS8069](#) [YQS8070](#) [YQS8065](#) [YQS8068](#)