

IEC Appliance Inlet C14 with Fuseholder 2-pole

Plug removal necessary for fuse replacement



Description

- Panel Mount:
Screw-on mounting from front side
- 2 Functions:
Appliance Inlet protection class I or II, Fuseholder for fuse-links 5 x 20 mm, 1- or 2-pole
- Quick connect terminals 4.8 x 0.8 mm

Approvals

- VDE Certificate Number: 77560
- UL File Number: E93617
- CSA File Number: 70111

Characteristics

- All single elements are already wired
- With slotted screw type fuseholder
Fuseholder meets requirements of medical standard IEC/EN 60601-1
The fuseholder can only be opened with the aid of a tool
The fuseholder is accessible from the equipment front
- Suitable for use in equipment according to IEC/UL 60950

References

We recommend for new applications the new type [4707](#)

Weblinks

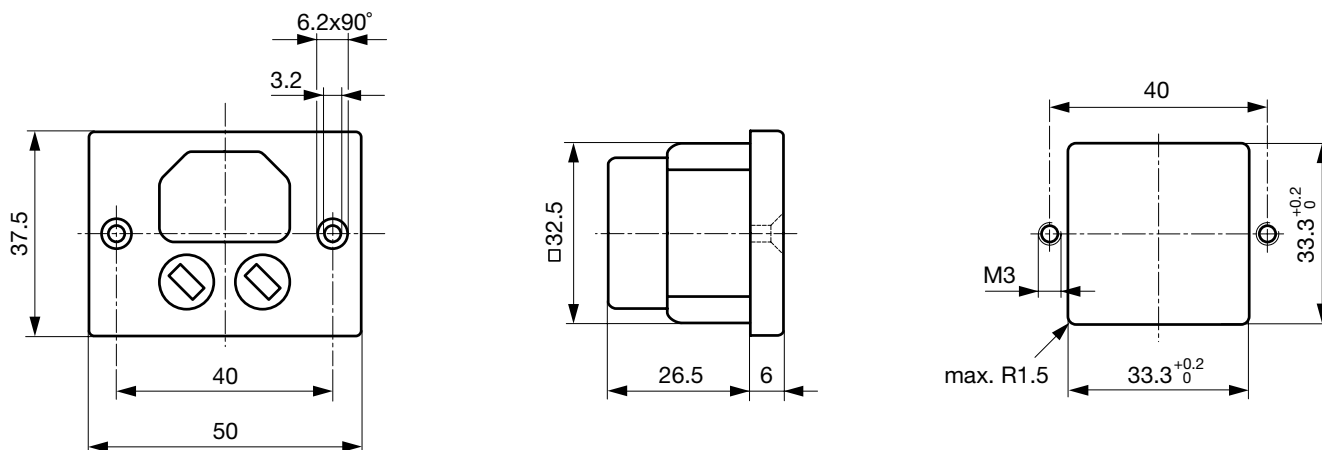
[pdf-datasheet](#), [html-datasheet](#), [General Product Information](#), [Approvals](#), [CE declaration of conformity](#), [RoHS](#), [CHINA-RoHS](#), [REACH](#), [Mating Connectors](#), [e-Shop](#), [SCHURTER-Stock-Check](#), [Distributor-Stock-Check](#), [CAD-Drawings](#), [Accessories](#), [Detailed request for product](#)

Technical Data

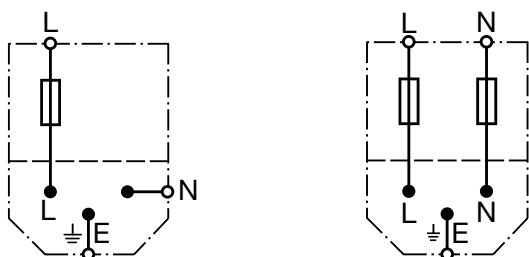
Ratings IEC	10A / 250VAC; 50Hz
Ratings UL/CSA	6A / 250VAC; 60Hz
Dielectric Strength	> 2kVAC between L-N > 4kVAC between L/N-PE (1 min/50Hz)
Allowable Operation Temp.	-25°C to 70°C
Degree of Protection	from front side IP 40 acc. to IEC 60529
Protection Class	Suitable for appliances with protection class I or II acc. to IEC 61140
Terminal	Quick connect terminals 4.8 x 0.8 mm
Panel Thickness s	Screw: max 6 mm Mounting screw torque max 0.5Nm
Material: Housing	Thermoplastic, black, UL 94V-0

Appliance Inlet	C14 / C18 acc. to IEC 60320, UL 498, CSA C22.2 no. 42 (for cold conditions) pin-temperature 70 °C, 10A, Protection Class I or II
Fuseholder	1 or 2 pole, Shocksafe category PC2 acc. to IEC 60127-6, for fuse-links 5 x 20mm
Rated Power Acceptance @ Ta 23 °C	5 x 20: 1.6W (1 pole)/ 1,2W (2-pole) <u>per pole</u>
Power Acceptance @ Ta > 23°C	Admissible power acceptance at higher ambient temperature see derating curves

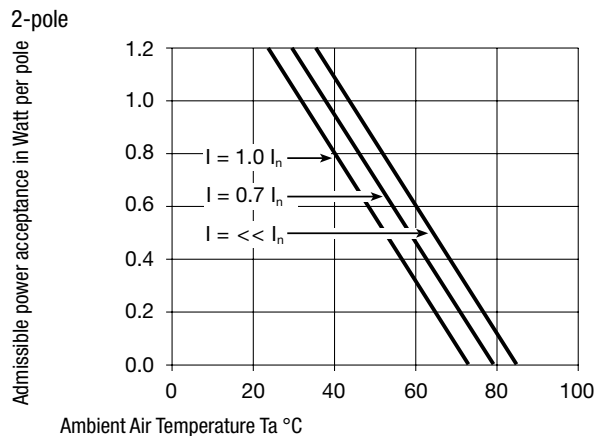
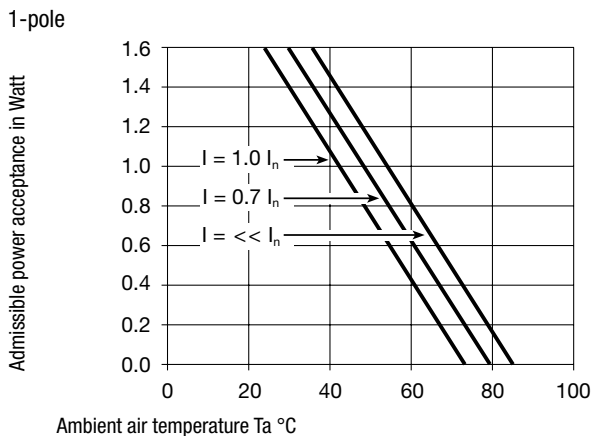
Dimensions



Diagrams



Derating Curves



All Variants

Protection Class	Fuseholder	Housing	Order Number
I	1-pole	black	0040.5012
I	2-pole	black	0040.5000.2
II	2-pole	black	0040.5015

Most Popular.

Availability for all products can be searched real-time: <http://www.schurter.com/en/Stock-Check/Stock-Check-SCHURTER>

Packaging unit 100 Pcs

Mating Outlets/Connectors

Category / Description

[Connector Overview complete](#)



IEC Connector C15A, Rewireable, Straight	0102
IEC Connector C15A, Rewireable, Straight	0102-G
IEC Connector C15A, Rewireable, Angled	0112
IEC Connector C13, Rewireable, Angled	4012
IEC Connector C13, Rewireable, Straight	4022
Connector further types to 8842/8843	...

[Interconnection Cord Overview complete](#)



Interconnection Cord C13, 10 A	6007.0212
Interconnection Cord C13, 10 A	6007.0214
Interconnection Cord further types to 8842/8843	

[Power Cord Overview complete](#)



Power Supply Cord with IEC plug C14, stripped end	6007.0204
Power Cord further types to 8842/8843	

[Power Supply Cord Overview complete](#)



Power Supply Cord with IEC Connector C13 straight, stripped end	6000.0214
Power Supply Cord with IEC Connector C13 angled, stripped end	6000.0224
EU Power Supply Cord with IEC Connector C13, straight	6003.0215
EU Power Supply Cord with IEC Connector C13, straight	6004.0215
US Power Supply Cord with IEC Connector C13, straight	6009.1315
Power Supply Cord further types to 8842/8843	...

[Power Supply or Interconnection Cord Overview complete](#)

Diverse Power Supply and Interconnection Cords 10 A	6003.0204
Diverse Power Supply and Interconnection Cords 10 A	6003.0205
Diverse Power Supply and Interconnection Cords 10 A	6026.0205
UK Power Supply Cord with stripped ends	6044.0204
Diverse Power Supply and Interconnection Cords 10 A	6045.0114
Power Supply or Interconnection Cord further types to 8842/8843	...