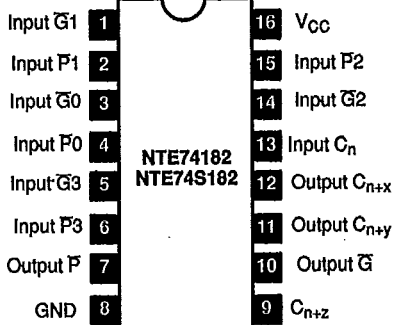


INTEGRATED CIRCUITS - TTL

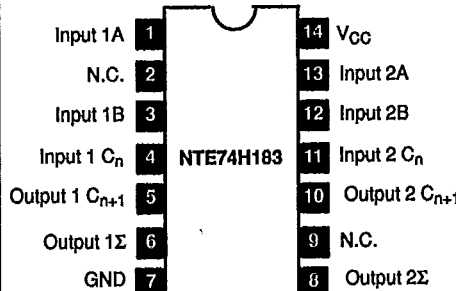
(TRANSISTOR TRANSISTOR LOGIC)

T-43-01

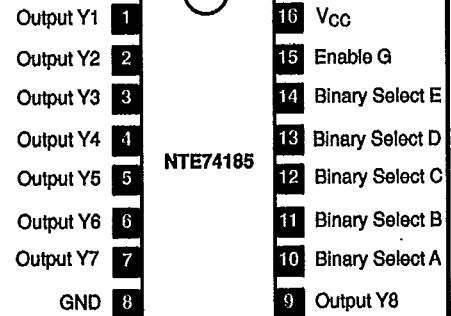
Look-Ahead Carry Generator 16-Lead DIP, See Diag. 249



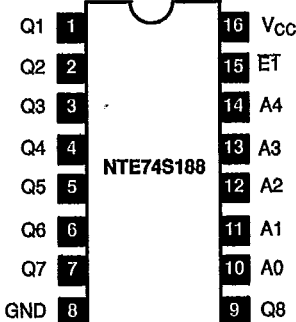
Dual Carry/Save Full Adder 14-Lead DIP, See Diag. 247



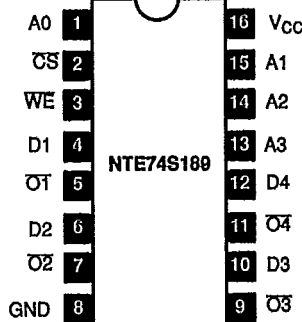
Binary-to-BCD Code Converter 16-Lead DIP, See Diag. 249



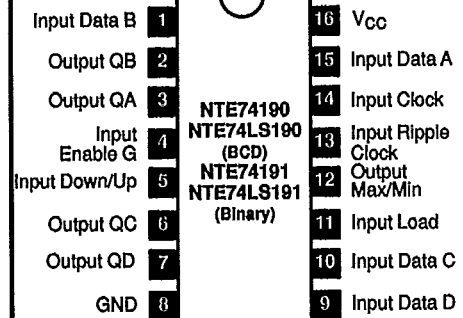
256-Bit (32 x 8) TTL PROM 16-Lead DIP, See Diag. 249



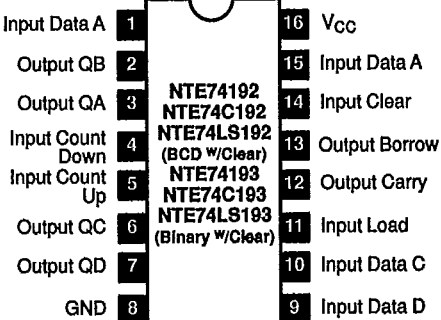
64-Bit RAM w/3-State Outputs 16-Lead DIP, See Diag. 249



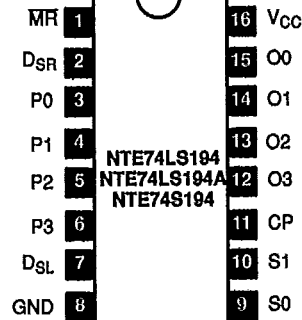
Synchronous Up/Down Counter 16-Lead DIP, See Diag. 249



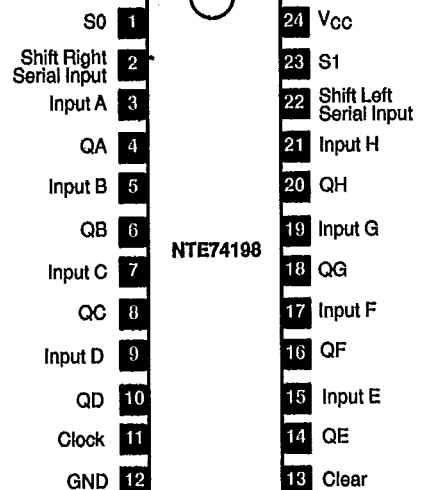
Synchronous Up/Down Dual Clock Counter 16-Lead DIP, See Diag. 249



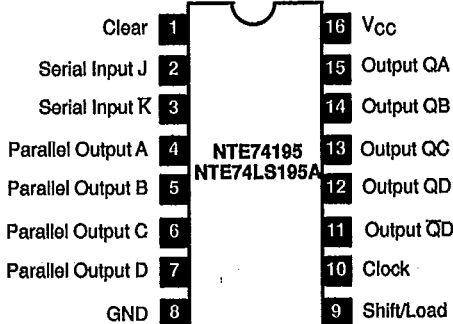
4-Bit Bi-Directional Universal Shift Register 16-Lead DIP, See Diag. 249



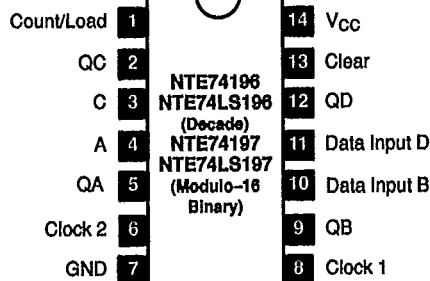
8-Bit Bi-Directional Universal Shift Register 24-Lead DIP, See Diag. 252



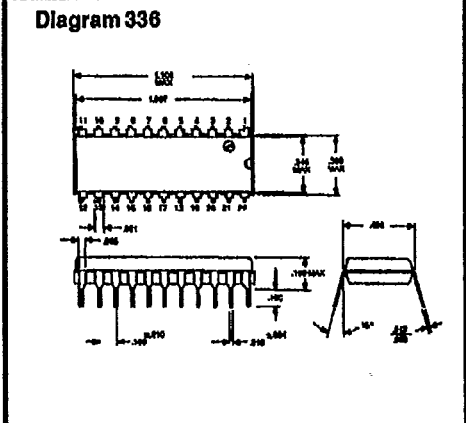
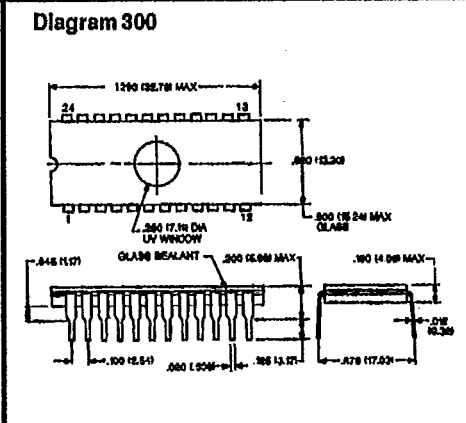
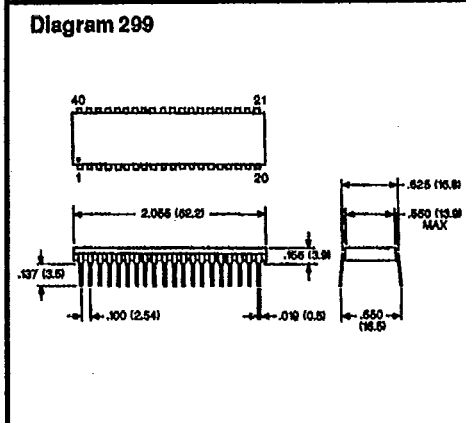
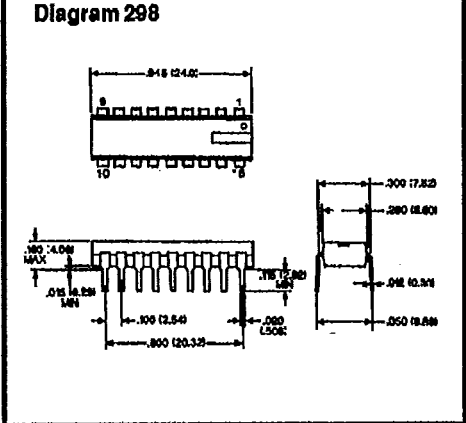
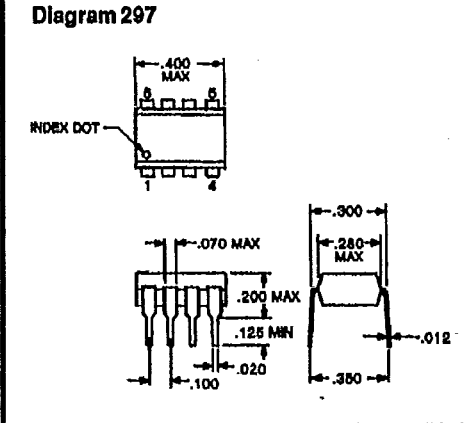
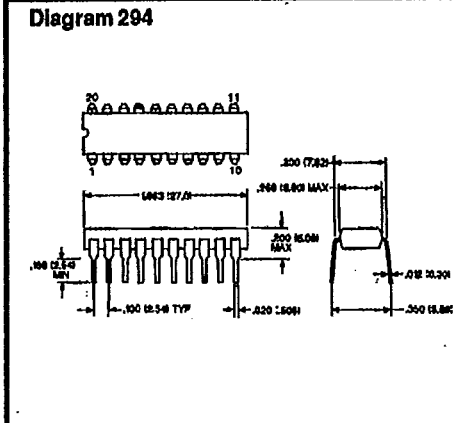
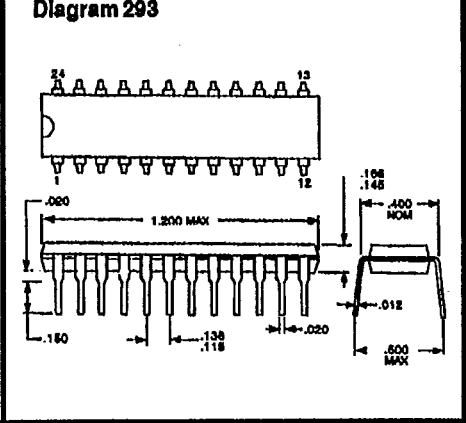
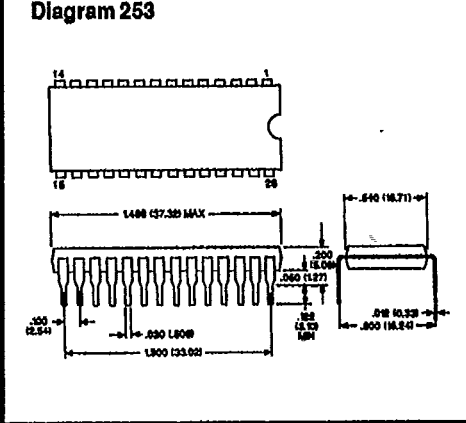
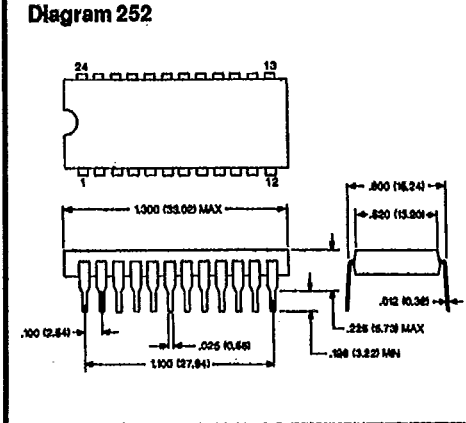
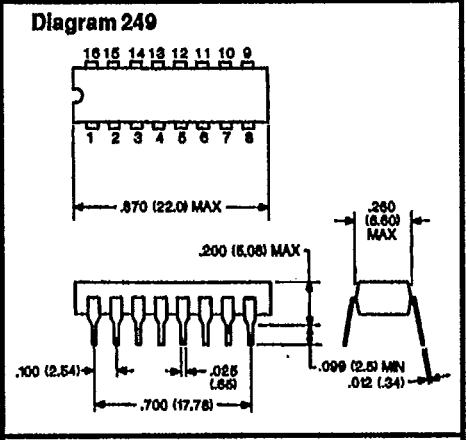
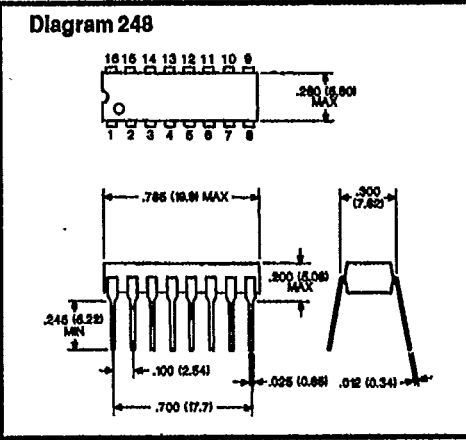
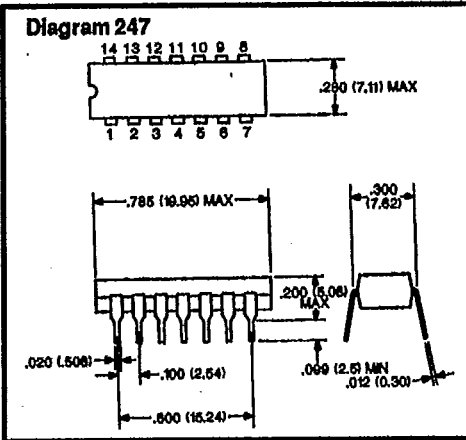
4-Bit Parallel Access Shift Register 16-Lead DIP, See Diag. 249



Presetable Counter/Latch 14-Lead DIP, See Diag. 247



DIMENSIONAL OUTLINE DRAWINGS



DIMENSIONAL OUTLINE DRAWINGS

T-90-01

Diagram 337

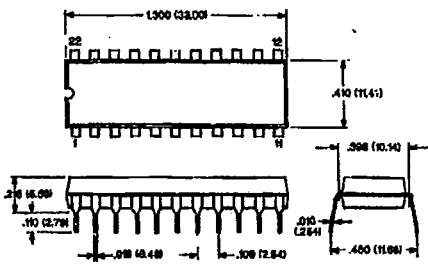


Diagram 339

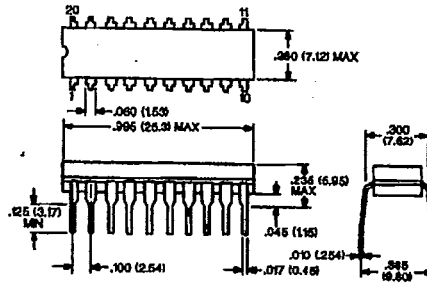


Diagram 340

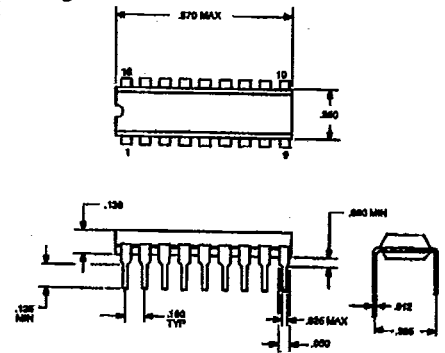


Diagram 341

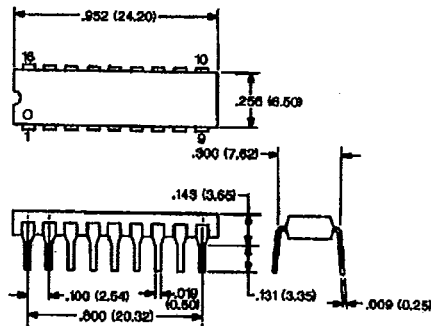


Diagram 343

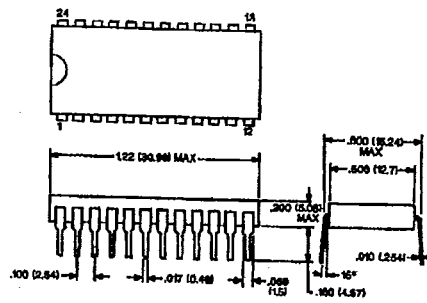


Diagram 445

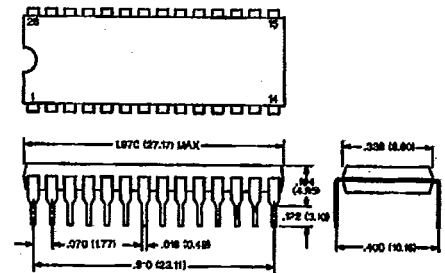


Diagram 446

