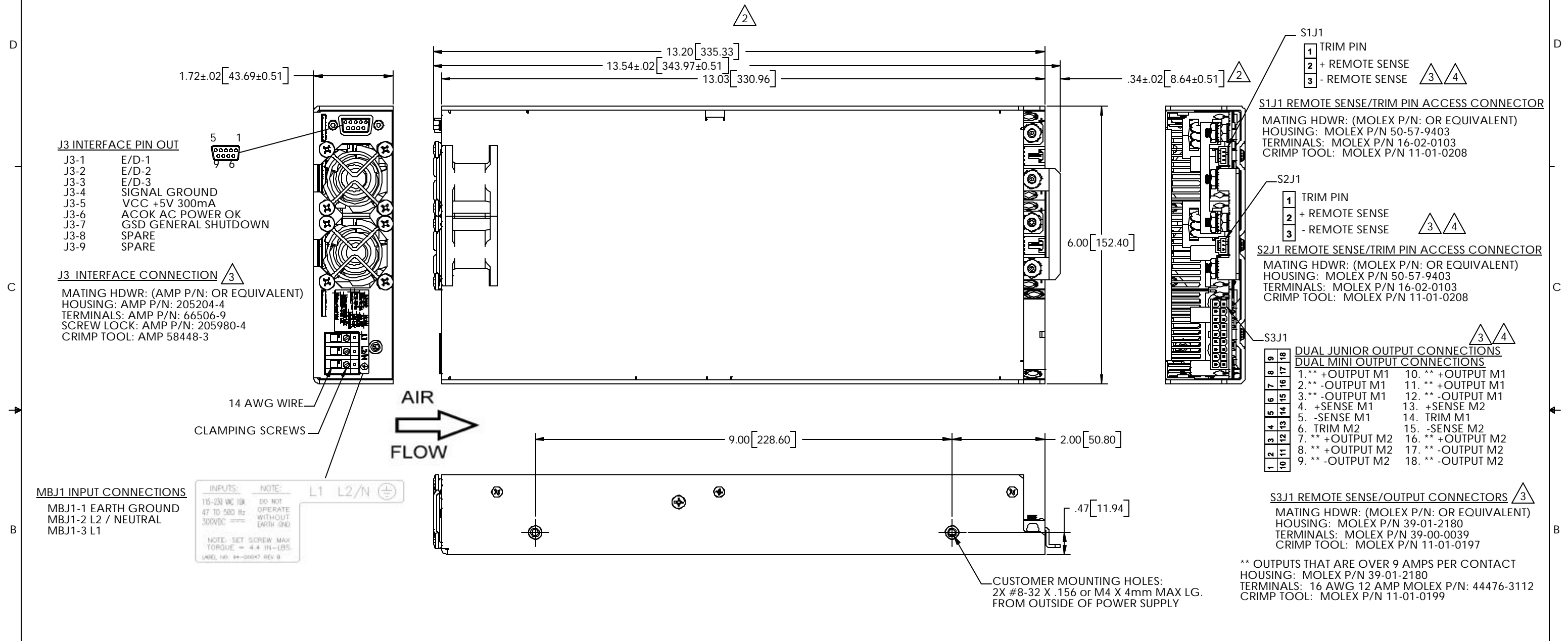


**PROPRIETARY DATA:**

This document and information contained may not be reproduced, used or disclosed without prior written permission of WESTCOR a division of VICOR Corporation.

REVISION HISTORY				
ECO	REV	DESCRIPTION	DATE	APPROVED
1245	A	PRODUCTION RELEASE	4/23/03	RME
--	A1	CHG SIDE CUSTOMER MTG HOLE QTY FR: 4 TO: 2	02/01/05	LGK



**J3 INTERFACE PIN OUT**

- J3-1 E/D-1
- J3-2 E/D-2
- J3-3 E/D-3
- J3-4 SIGNAL GROUND
- J3-5 VCC +5V 300mA
- J3-6 ACOK AC POWER OK
- J3-7 GSD GENERAL SHUTDOWN
- J3-8 SPARE
- J3-9 SPARE

**J3 INTERFACE CONNECTION**

MATING HDWR: (AMP P/N: OR EQUIVALENT)  
 HOUSING: AMP P/N: 205204-4  
 TERMINALS: AMP P/N: 66506-9  
 SCREW LOCK: AMP P/N: 205980-4  
 CRIMP TOOL: AMP 58448-3

**MBJ1 INPUT CONNECTIONS**

- MBJ1-1 EARTH GROUND
- MBJ1-2 L2 / NEUTRAL
- MBJ1-3 L1

INPUTS:	NOTE:
115-230 VAC 10A 47 TO 500 Hz 300VDC	DO NOT OPERATE WITHOUT EARTH GND
NOTE: SET SCREW MAX TORQUE = 4.4 IN-LBS. UNBL NO: 44-50047 REV B	

- S1J1**
- 1 TRIM PIN
  - 2 + REMOTE SENSE
  - 3 - REMOTE SENSE

**S1J1 REMOTE SENSE/TRIM PIN ACCESS CONNECTOR**  
 MATING HDWR: (MOLEX P/N: OR EQUIVALENT)  
 HOUSING: MOLEX P/N 50-57-9403  
 TERMINALS: MOLEX P/N 16-02-0103  
 CRIMP TOOL: MOLEX P/N 11-01-0208

- S2J1**
- 1 TRIM PIN
  - 2 + REMOTE SENSE
  - 3 - REMOTE SENSE

**S2J1 REMOTE SENSE/TRIM PIN ACCESS CONNECTOR**  
 MATING HDWR: (MOLEX P/N: OR EQUIVALENT)  
 HOUSING: MOLEX P/N 50-57-9403  
 TERMINALS: MOLEX P/N 16-02-0103  
 CRIMP TOOL: MOLEX P/N 11-01-0208

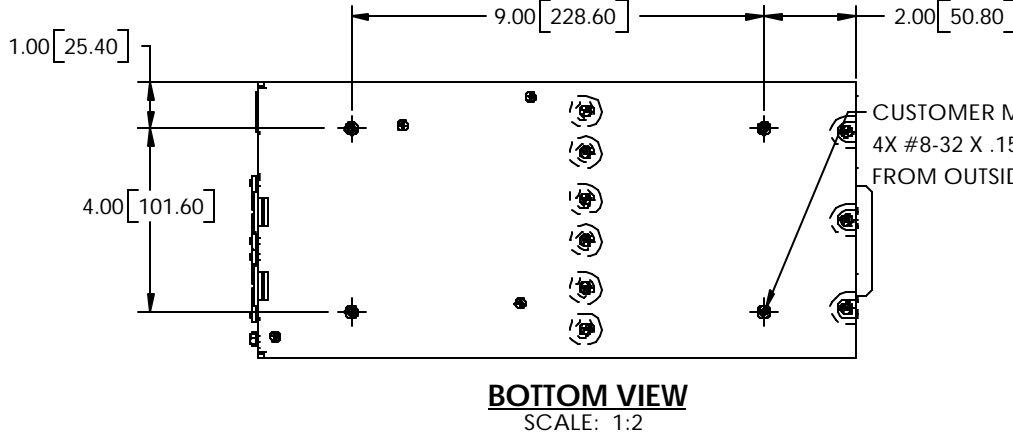
- S3J1**
- DUAL JUNIOR OUTPUT CONNECTIONS**
- |                  |                   |
|------------------|-------------------|
| 1. ** +OUTPUT M1 | 10. ** +OUTPUT M1 |
| 2. ** -OUTPUT M1 | 11. ** +OUTPUT M1 |
| 3. ** -OUTPUT M1 | 12. ** -OUTPUT M1 |
| 4. +SENSE M1     | 13. +SENSE M2     |
| 5. -SENSE M1     | 14. TRIM M1       |
| 6. TRIM M2       | 15. -SENSE M2     |
| 7. ** +OUTPUT M2 | 16. ** +OUTPUT M2 |
| 8. ** +OUTPUT M2 | 17. ** -OUTPUT M2 |
| 9. ** -OUTPUT M2 | 18. ** -OUTPUT M2 |

**S3J1 REMOTE SENSE/OUTPUT CONNECTORS**  
 MATING HDWR: (MOLEX P/N: OR EQUIVALENT)  
 HOUSING: MOLEX P/N 39-01-2180  
 TERMINALS: MOLEX P/N 39-00-0039  
 CRIMP TOOL: MOLEX P/N 11-01-0197

\*\* OUTPUTS THAT ARE OVER 9 AMPS PER CONTACT  
 HOUSING: MOLEX P/N 39-01-2180  
 TERMINALS: 16 AWG 12 AMP MOLEX P/N: 44476-3112  
 CRIMP TOOL: MOLEX P/N 11-01-0199

**NOTES: UNLESS OTHERWISE SPECIFIED**

1. INTERPRET DRAWING PER ANSI Y14.5-1994.
2. WITH OPTIONAL BUSBAR.
3. A COMPLETE SET OF MATING CONNECTORS CAN BE PURCHASED FROM WESTCOR BY SPECIFYING CONNECTOR KIT P/N: 19-130047 A KIT CONTAINING 40 EA OF THE HI POWER 12 AMP 16 AWG CRIMP PINS 1S P/N: 19-130050.
4. REF DESIGNATION LEGEND  
 MB = MOTHER BOARD  
 S1 = (SLOT 1) DAUGHTERBOARD MODULES E/D 1.  
 S2 = (SLOT 2) DAUGHTERBOARD MODULES E/D 2.  
 S3 = (SLOT 3) DAUGHTERBOARD MODULES E/D 3.



**NOTE: DETAILED DESIGN GUIDE LINES ARE AVAILABLE @ [www.vicorpower.com](http://www.vicorpower.com)**

ITEM NO	PART OR IDENTIFYING NO	NOMENCLATURE OR DESCRIPTION	MATERIAL SPECIFICATION	QTY REQD
PARTS LIST				
UNLESS OTHERWISE SPECIFIED DIMENSIONS ARE IN INCHES TOLERANCES ARE: FRACTIONS DECIMALS ANGLES ± 1/32 .XX ± .01 ± 1/2° .XXX ± .005				
MATERIAL		THIRD ANGLE PROJECTION		
FINISH		APPROVALS DATE		
NEXT ASSY USED ON		DRAWN E.M.THIVING 3/22/03		
APPLICATION		CHECKED R.M.ELLIS 3/22/03		
DO NOT SCALE DRAWING		APPROVED		
		WESTCOR a division of VICOR Corp.		
		OUTLINE EXTENDED PFC MINI 1/RU		
		SIZE DWG. NO. 08-130150-01 REV A1		
		SCALE 1:1 FILENAME: 08-130150-01 SHEET 1 OF 1		