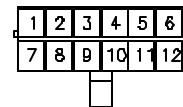


PROPRIETARY DATA:
 This document and information contained
 hereon is the property of WESTCOR
 and is not to be reproduced, used or disclosed
 without prior written permission of WESTCOR
 a division of VICOR Corporation.

NOTE: A DETAILED DESIGN GUIDE IS
 AVAILABLE @ www.vicorpower.com

REVISIONS				
ECO	REV	DESCRIPTION	DATE	APPROVED
258	A	PRODUCTION RELEASE	3/14/94	RBD
482	A1	CHG PIN 1 LOCATION ON J3	12/21/95	RBD
--	A2	ADD DIMENSION 9.4 (238.8)	06/08/00	LGK
1137	B	ADD REFERENCE TO VICOR WEB PAGE	3/21/02	RME
1416	C	ADD ACOK PIN OUTS	11/11/04	LGK
1447	D	ADD SHEET 2	01/10/05	LGK

J10 INTERFACE CONNECTOR IDENTIFICATION



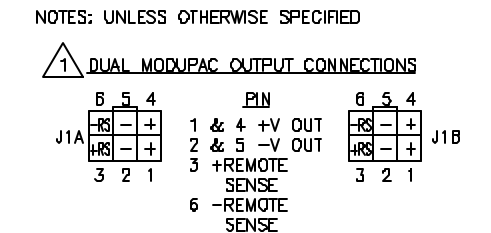
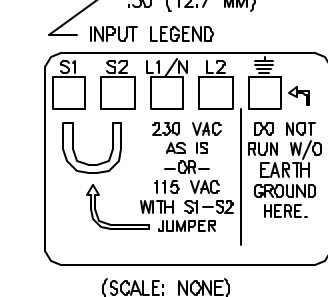
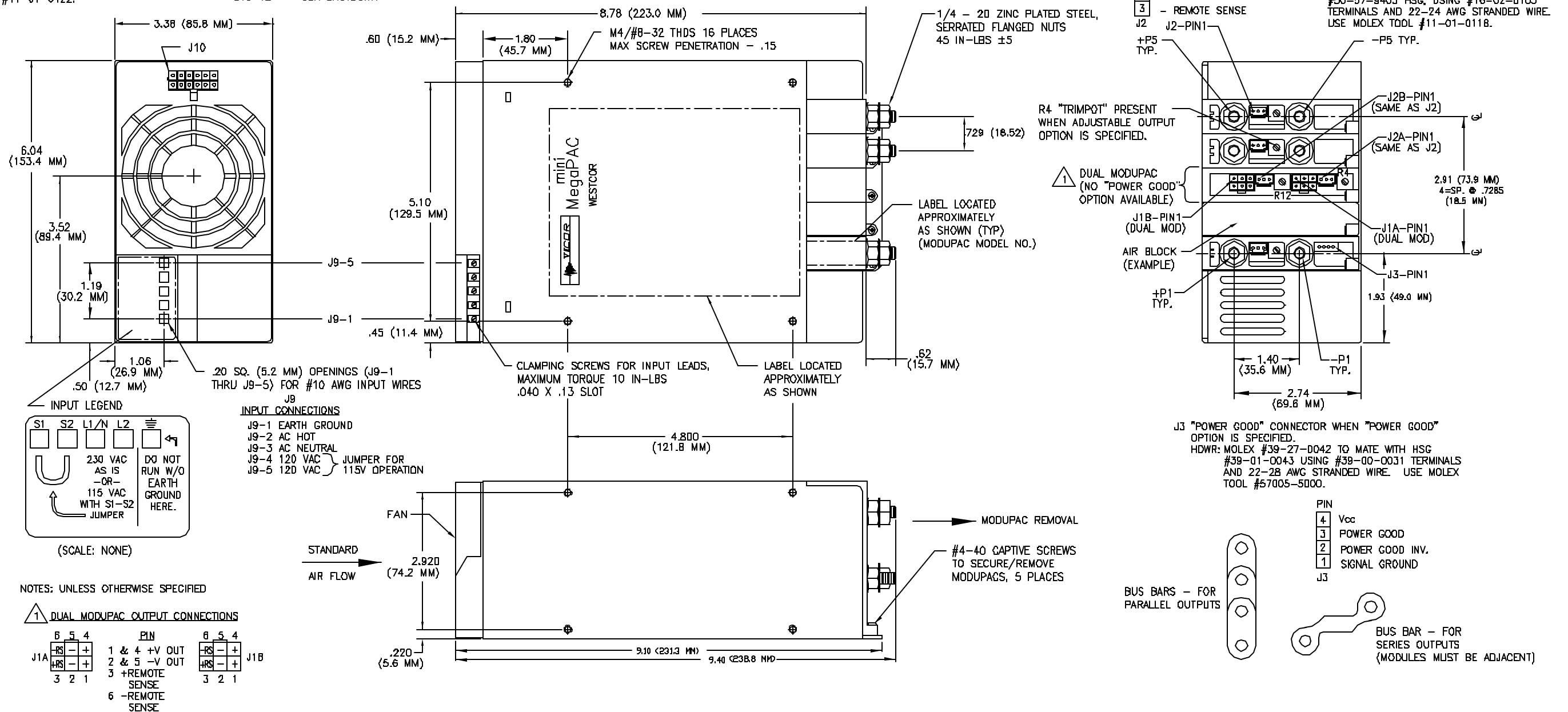
HDWR: MOLEX HEADER MINI-FIT JR. 12 POS #39-30-1120. CUSTOMER I/O INTERFACE MATING RECEPTACLE MOLEX #39-01-2120 WITH TERMINAL #39-00-0039 AND 18-24 AWG STRANDED WIRE. USE MOLEX TOOL #11-01-0122.

J10 (STD) INTERFACE PIN OUT

J10-1	E/D-1
J10-2	E/D-2
J10-3	E/D-3
J10-4	E/D-4
J10-5	E/D-5
J10-6	NC
J10-7	NC
J10-8	NC
J10-9	Vcc +5V, 0.3A
J10-10	SIGNAL GROUND
J10-11	AC POWER OK
J10-12	GEN SHUTDOWN

J10 (ACOK) INTERFACE PIN OUT [10-040921-38 ASSEMBLY ONLY]

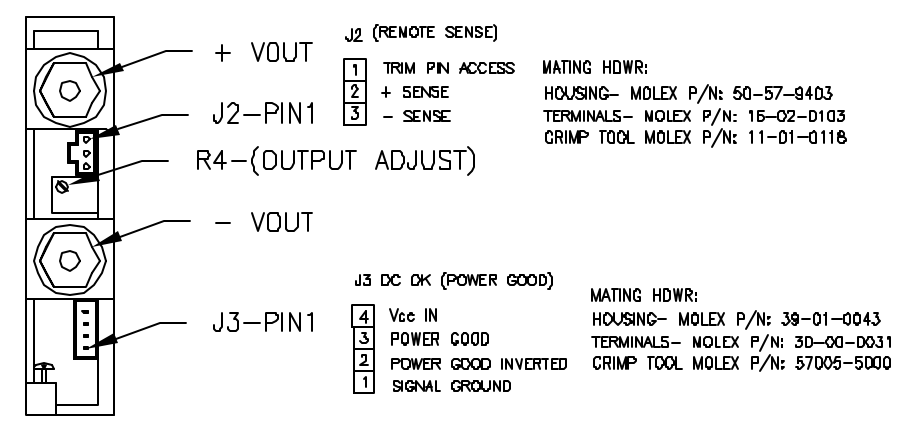
J10-1	E/D-1
J10-2	E/D-2
J10-3	E/D-3
J10-4	E/D-4
J10-5	E/D-5
J10-6	NC
J10-7	NC
J10-8	/AC POWER OK
J10-9	Vcc +5V, 0.3A
J10-10	SIGNAL GROUND
J10-11	AC POWER OK
J10-12	GEN SHUTDOWN



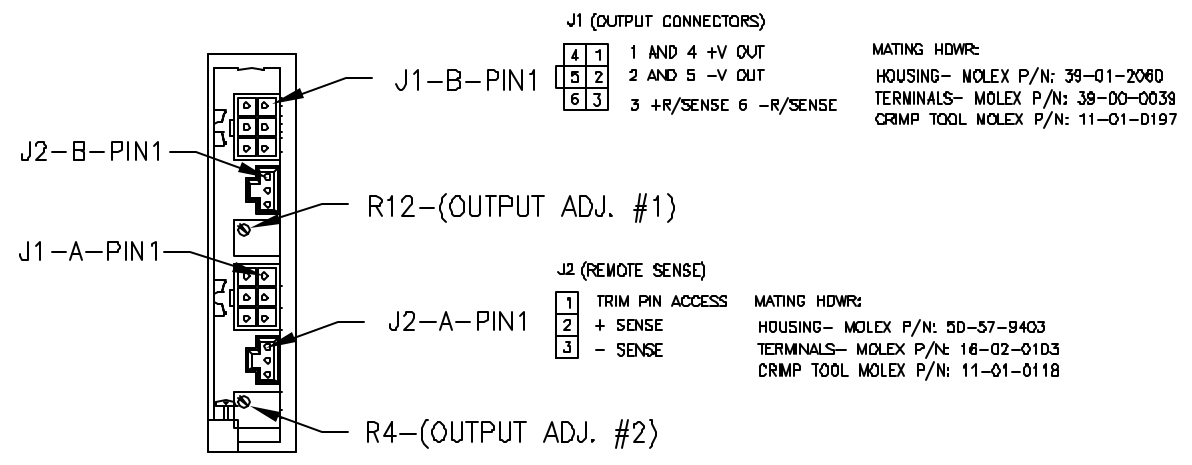
UNLESS OTHERWISE SPECIFIED DIMENSIONS ARE IN INCHES TOLERANCES ARE:		THIRD ANGLE PROJECTION		WESTCOR a division of VICOR Corp.	
FRACTIONS ± 1/32	DECIMALS .001	ANGLES ± 1/2°	APPROVALS	DATE	OUTLINE MINI MEGAPAC STANDARD CHASSIS SIZE: D SCALE: NTS SHEET: 1 OF 2
MATERIAL	FINISH	DESIGNED	LARRY KING	10/02/00	
SEE MIS	---	CHECKED	R.M. ELLIS	10/02/00	
NEXT ASSY USED ON	---	APPROVED	D. DRABING	10/02/00	
APPLICATION	DO NOT SCALE DRAWING	DESIGNED	---	---	CAGE CODE: --- DWG NO: 08-040921 REV: D

REVISIONS				
ECO	REV	DESCRIPTION	DATE	APPROVED
---	--	SEE SHEET 1	---	---

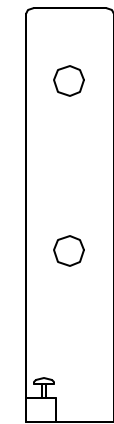
MODUPAC 200W - 21-130171-TAB
JR.PAC/RAMPAC 100W - 21-130197-TAB



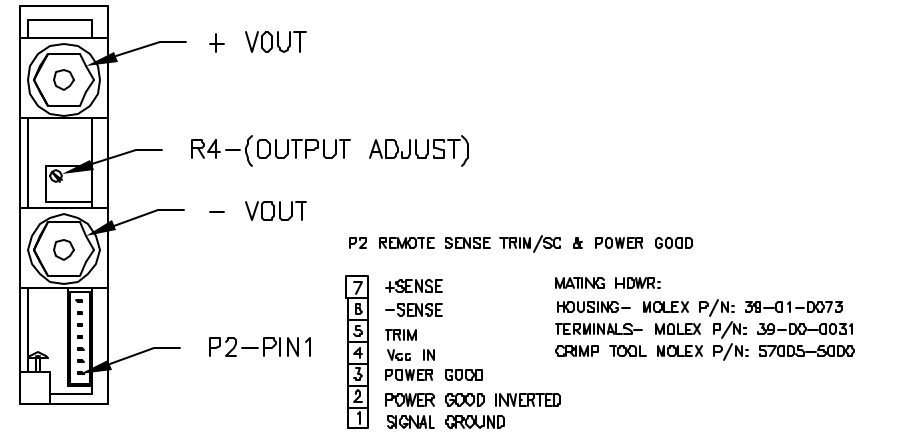
DUALPAC 100W PER MODULE - 21-130182-TAB



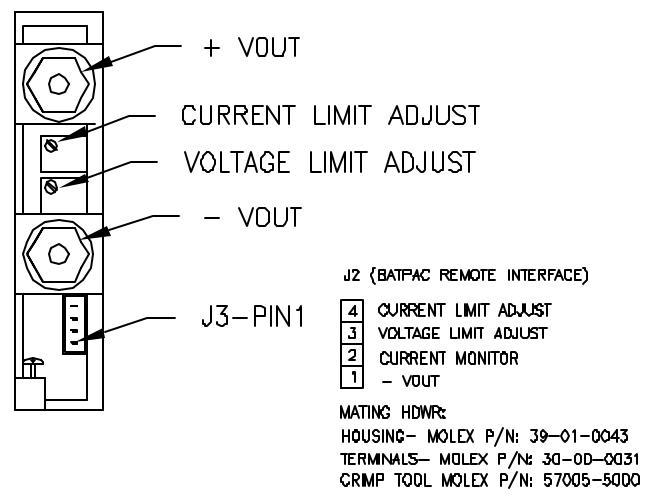
AIR BLOCK



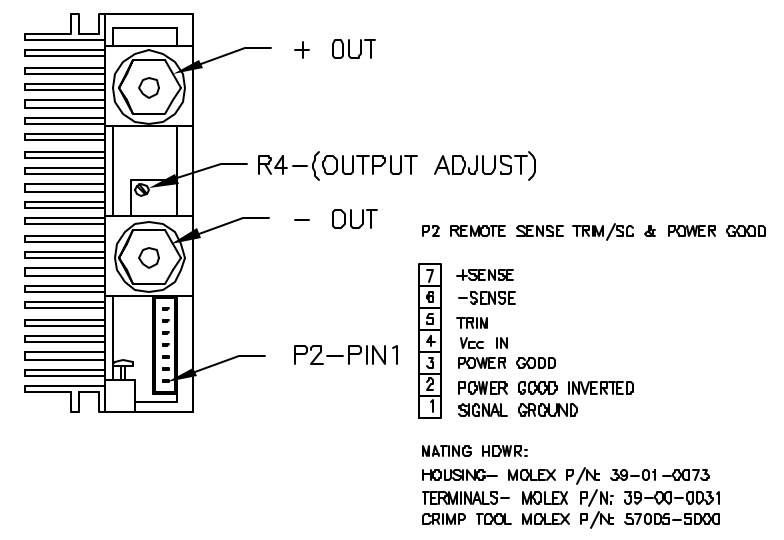
UNIPAC 250W - 21-130199-TAB



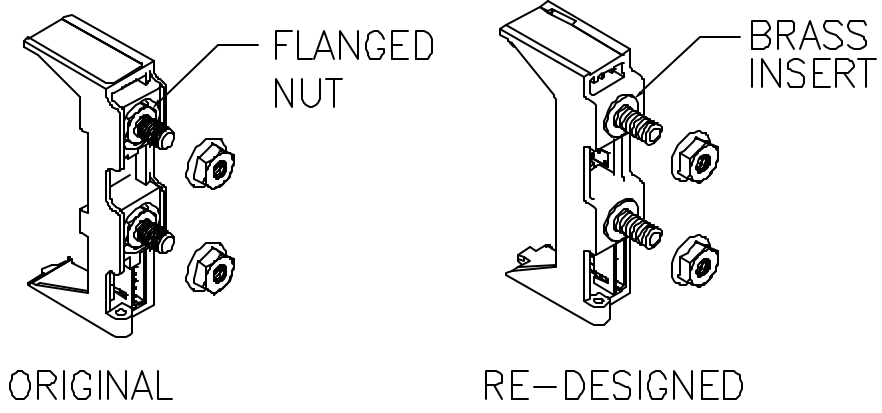
BATPAC 200W - 21-130198-TAB



FINPAC 500W 21-130199-TAB



OUTPUT PANEL AND STUDS



NOTE: EITHER THE ORIGINAL OR RE-DESIGNED OUTPUT STUD AND PANEL COMBINATION MAY BE PRESENT. THE NEW OUTPUT PANEL HAS A BRASS INSERT AND THE STUD IS 1/8 INCH LONGER. (SEE SHEET ONE FOR DIMENSIONAL DATA).

WESTCOR a division of VICOR Corp.	OUTLINE MINI MEGAPAC STANDARD CHASSIS			
	PROPRIETARY DATA: This document and information contained may not be reproduced, used or disclosed without prior written permission of WESTCOR a division of VICOR Corporation.	SIZE D	CAGE CODE ---	DWG NO. 08-040921
FILENAME: 08-D40921		SHEET 2 OF 2		