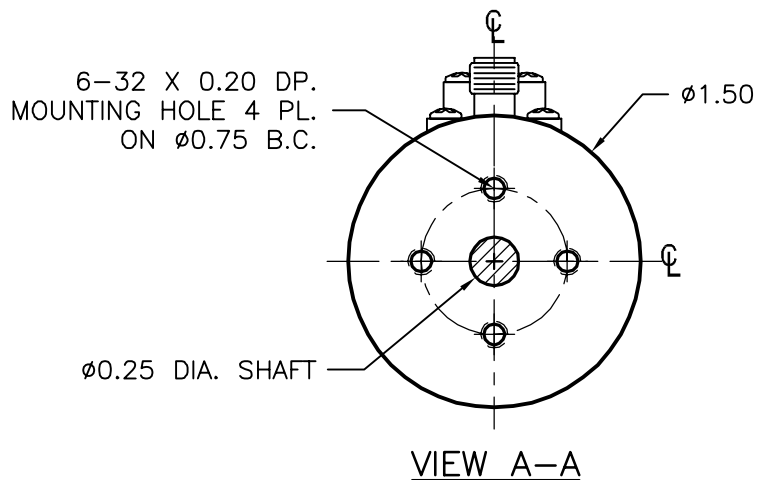
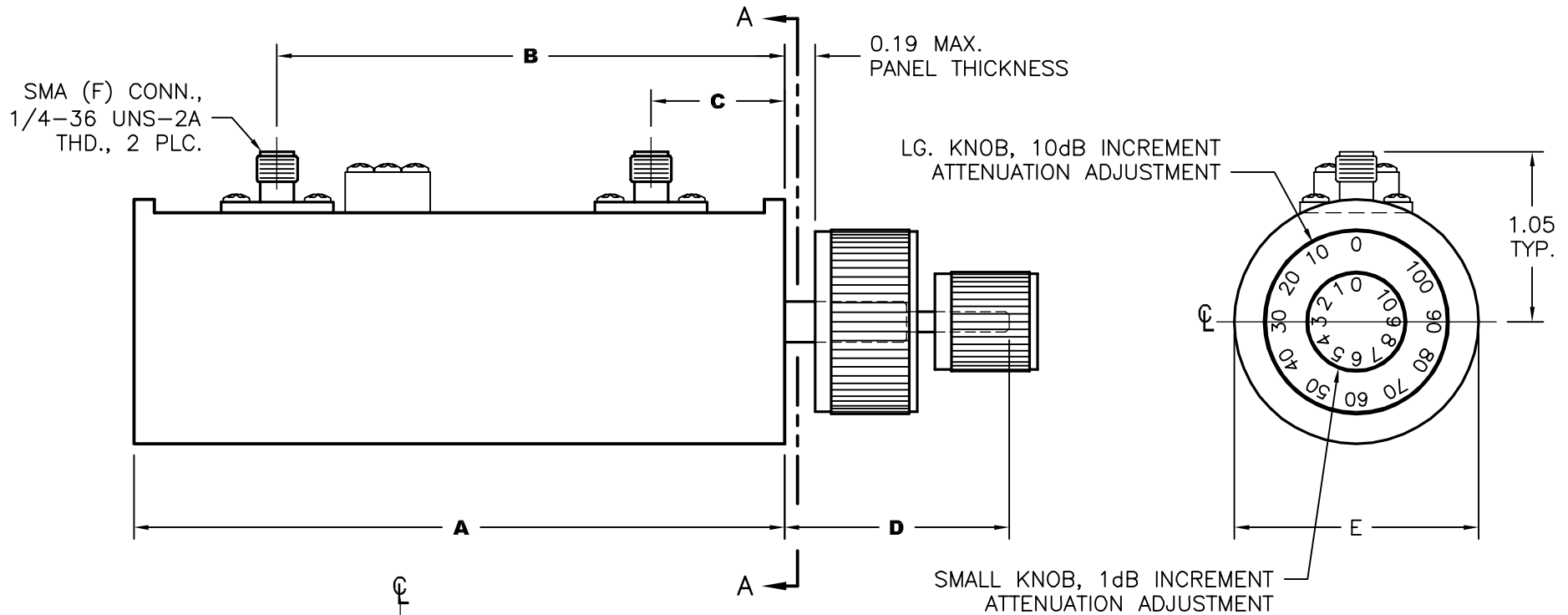


REV A	AUTH RL	DATE 6/27/01	INITIAL RELEASE
REV B	AUTH RL	DATE 06/19/02	ADDED DIMS FOR MOD# AS113-50-1
REV C	AUTH RL	DATE 05/31/06	FORMAT UPDATE; ILLUSTRATION REVISED TO SHOW KNOB MOUNTING DETAIL



MODEL	DIM A	DIM B	DIM C	DIM D	DIM F
AS113-110-1	4.00	3.12	.82	1.38	ø1.50
AS113-50-1	4.00	3.12	.82	1.38	ø1.50

THIRD ANGLE PROJECTION:		APPROVALS	DATE	ADVANCED TECHNICAL MATERIALS, INC. TEL: (631) 289-0363 FAX: (631) 289-0358 www.atmmicrowave.com	<small>THE INFORMATION IN THIS DRAWING IS PROPRIETARY AND SHALL NOT BE USED OR DISCLOSED WITHOUT THE PRIOR WRITTEN CONSENT OF ATM, INC. DO NOT SCALE DWG.</small>
UNLESS OTHERWISE NOTED, DIMENSIONS ARE IN INCHES. TOLERANCES ARE: FRACTIONS: ±1/64 ANGLES: ±1/2°		DRAWN RL	05/31/05		
BASIC DIMENSION		DECIMALS 2 PLACE	DECIMALS 3 PLACE	<h2 style="text-align: center;">OUTLINE, DUAL CONCENTRIC ROTARY STEP ATTENUATOR</h2>	
UNDER 6"	±.02	±.005	APRVD.		
6" - 12"	±.03	±.010	MATERIAL -		
OVER 12"	±.06	±.015	TREATMENT -		
		FINISH -	SIZE A CAGE CODE OR8N4 ATM DWG # 4399W REVISION C		
		SCALE 1 : 1		MODEL # SEE TABLE	SHEET 1/1