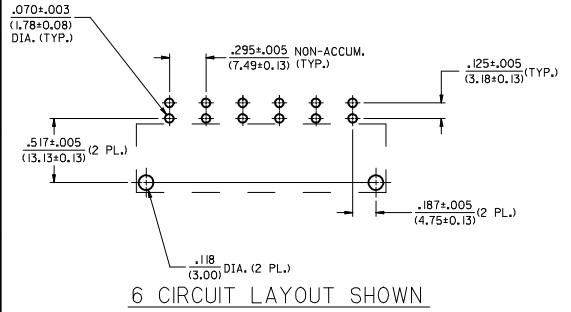


SEE SHEET 5 AND 6 FOR ITEM NUMBER CHART

RECOMMENDED P.C. BOARD LAYOUT FOR RIGHT ANGLE HEADERS
SCALE: 2:1



6 CIRCUIT LAYOUT SHOWN

- NOTES:**
- INSULATOR MATERIAL (SEE CHART)
A = 30% GLASS-FILLED 46 NYLON, 94V-0, COLOR: BLACK
TERMINAL MATERIAL: BRASS
 - TERMINAL FINISH: 60 MICRORINCH (1.50 MICROMETER) MINIMUM TIN OVER
50 MICRORINCH (1.25 MICROMETER) MINIMUM NICKEL.
 - PRODUCT SPECIFICATION: PSX-44441-9999.
 - PACKAGING: SEE CHART.
 - THESE HEADERS MATE WITH 43179, 43335, OR 44441 RECEPTACLE HOUSINGS.
 - UL 1950 COMPLIANT 46007 SERIES HEADERS ARE SIMILAR TO STANDARD LINE 43160 SERIES HEADERS EXCEPT HAVING TERMINALS WHICH ARE RECESSED MORE TO ALLOW HEADERS TO MEET UL 1950 PROBE REQUIREMENTS.
 - SEE SHEETS 1, 2 AND 3 FOR VERTICAL HEADER ASSEMBLIES AND THEIR RESPECTIVE PART NUMBERS.
 - SEE SHEETS 4, 5 AND 6 FOR RIGHT ANGLE HEADER ASSEMBLIES AND THEIR RESPECTIVE PART NUMBERS.
 - TERMINALS ARE ON .295/(7.49) CENTERLINE SPACING.
 - DIMENSIONS ARE FOR REFERENCE ONLY, UNLESS INDICATED OTHERWISE.

| SOLDER TAIL | DIM. 'A' ±.011/(0.28) |
|-------------|-----------------------|
| SHORT | .150/(3.81) |
| LONG | .210/(5.33) |

| BOARD LOCK | DIM. 'B' ±.004/(0.10) |
|------------|-----------------------|
| .062 | .070/(1.78) |
| .094 | .102/(2.59) |
| .125 | .133/(3.38) |

| | | | | | | | | | | | | | |
|--|-------------------------------|--|--|---|--|--------------|--|--|--|------------------------------|--|---------------------|--|
| REPLACE CU UNDERPLATE IEC NO. UICP2012-3878 DRAWN: HAHG 2012/05/29 CHECKED: BEL 2012/05/29 APPROVED: SMTH 2012/08/28 | QUALITY SYMBOLS ▽=0 ▽=0 | GENERAL TOLERANCES (UNLESS SPECIFIED) | | DIMENSION STYLE IN/MM | | SCALE 3:1 | | DESIGN UNITS INCH | | THIRD ANGLE PROJECTION | | | |
| | | 4 PLACES ± --- ± --- 3 PLACES ± --- ± .005 2 PLACES ± 0.13 ± .01 1 PLACE ± 0.25 ± --- | | DRAWN BY C STEWART 04/29/05 | | DATE | | TITLE SABRE HEADER ASSY RT. ANGLE, 2-6 & 8 CIR. UL 1950 COMPLIANT | | MOLEX INCORPORATED | | | |
| | | ANGULAR ±1/2° | | APPROVED BY BWIRKUS | | DATE | | MATERIAL NO. SEE CHART | | DOCUMENT NO. SD-46007-001 | | SHEET NO. 4 OF 6 | |
| | | DRAFT WHERE APPLICABLE MUST REMAIN WITHIN DIMENSIONS | | THIS DRAWING CONTAINS INFORMATION THAT IS PROPRIETARY TO MOLEX INCORPORATED AND SHOULD NOT BE USED WITHOUT WRITTEN PERMISSION | | | | | | | | | |

| | 20 | | | | | 19 | | | | | 18 | | | | | 17 | | | | | 16 | | | | | 15 | | | | | 14 | | | | | 13 | | | | | 12 | | | | | 11 | | | | | 10 | | | | | 9 | | | | | 8 | | | | | 7 | | | | | 6 | | | | | 5 | | | | | 4 | | | | | 3 | | | | | 2 | | | | | 1 | | | | | | | | | | | | | | | | | | | | | | | | | | | | | | | | | | | | | | | | | | | | | | | | | | | | | | | | | | | | | | | | | | | | | | | | | | | | | | | | | | | |
|------------|------------------------------------|--------------|-------------------------|-------------|---------------|--------------------------|------------------------------------|--------------|-------------------------|-------------|---------------|--------------------------|------------------------------------|--------------|-------------------------|-------------|---------------|--------------------------|------------------------------------|--------------|-------------------------|-------------|--------------|--------------------------|------------------------------------|--------------|-------------------------|-------------|--------------|--------------------------|------------------------------------|--------------|-------------------------|-------------|--------------|--------------------------|------------------------------------|--------------|-------------------------|-------------|--------------|--------------------------|---|---|-------|------|--------------|------------|---|---|-------|------|--------------|------------|---|---|-------|------|--------------|------------|---|---|------|------|--------------|------------|---|---|-------|------|--------------|------------|---|---|------|------|--------------|------------|---|---|------|------|--------------|------------|---|---|------|------|--------------|------------|---|---|------|------|--------------|------------|---|---|-------|-----|---------------|------------|---|---|------|------|--------------|------------|---|---|-------|-----|---------------|------------|---|---|------|-----|--------------|------------|---|---|------|-----|--------------|------------|---|---|-------|------|--------------|------------|---|---|-------|------|--------------|------------|---|---|-------|------|--------------|------------|---|---|-------|------|--------------|------------|---|---|------|------|--------------|------------|---|---|------|------|--------------|------------|---|---|------|------|--------------|------------|---|---|------|------|--------------|------------|---|---|------|------|--------------|
| | RT. ANGLE HEADER ASSEMBLY ITEM NO. | CIRCUIT SIZE | HSG. MAT'L (SEE NOTE 1) | SOLDER TAIL | BOARD LOCK | PACKAGING SPECIFICATIONS | RT. ANGLE HEADER ASSEMBLY ITEM NO. | CIRCUIT SIZE | HSG. MAT'L (SEE NOTE 1) | SOLDER TAIL | BOARD LOCK | PACKAGING SPECIFICATIONS | RT. ANGLE HEADER ASSEMBLY ITEM NO. | CIRCUIT SIZE | HSG. MAT'L (SEE NOTE 1) | SOLDER TAIL | BOARD LOCK | PACKAGING SPECIFICATIONS | RT. ANGLE HEADER ASSEMBLY ITEM NO. | CIRCUIT SIZE | HSG. MAT'L (SEE NOTE 1) | SOLDER TAIL | BOARD LOCK | PACKAGING SPECIFICATIONS | RT. ANGLE HEADER ASSEMBLY ITEM NO. | CIRCUIT SIZE | HSG. MAT'L (SEE NOTE 1) | SOLDER TAIL | BOARD LOCK | PACKAGING SPECIFICATIONS | RT. ANGLE HEADER ASSEMBLY ITEM NO. | CIRCUIT SIZE | HSG. MAT'L (SEE NOTE 1) | SOLDER TAIL | BOARD LOCK | PACKAGING SPECIFICATIONS | RT. ANGLE HEADER ASSEMBLY ITEM NO. | CIRCUIT SIZE | HSG. MAT'L (SEE NOTE 1) | SOLDER TAIL | BOARD LOCK | PACKAGING SPECIFICATIONS | | | | | | | | | | | | | | | | | | | | | | | | | | | | | | | | | | | | | | | | | | | | | | | | | | | | | | | | | | | | | | | | | | | | | | | | | | | | | | | | | | | | | | | | | | | | | | | | | | | | | | | | | | | | | | | | | | | | | | | | | | | | | | | | | | | | | | | | | |
| 46007-1102 | 2 | A | SHORT | N/A | PK-43160-0010 | 46007-1104 | 4 | A | SHORT | N/A | PK-43160-0010 | 46007-1106 | 6 | A | SHORT | N/A | PK-43160-0010 | 46007-1302 | 2 | A | LONG | N/A | PK-43789-001 | 46007-1304 | 4 | A | LONG | N/A | PK-43789-001 | 46007-1306 | 6 | A | LONG | N/A | PK-43789-001 | 46007-3102 | 2 | A | SHORT | .062 | PK-43789-001 | 46007-3104 | 4 | A | SHORT | .062 | PK-43789-001 | 46007-3106 | 6 | A | SHORT | .062 | PK-43789-001 | 46007-5102 | 2 | A | SHORT | .094 | PK-43789-001 | 46007-5104 | 4 | A | LONG | .094 | PK-43789-001 | 46007-5106 | 6 | A | SHORT | .094 | PK-43789-001 | 46007-5302 | 2 | A | LONG | .094 | PK-43789-001 | 46007-5304 | 4 | A | LONG | .125 | PK-43789-001 | 46007-5306 | 6 | A | LONG | .094 | PK-43789-001 | 46007-7302 | 2 | A | LONG | .125 | PK-43789-001 | 46007-7304 | 5 | A | SHORT | N/A | PK-43160-0010 | 46007-7306 | 6 | A | LONG | .125 | PK-43789-001 | 46007-1103 | 3 | A | SHORT | N/A | PK-43160-0010 | 46007-1105 | 5 | A | LONG | N/A | PK-43789-001 | 46007-1303 | 3 | A | LONG | N/A | PK-43789-001 | 46007-1305 | 5 | A | SHORT | .062 | PK-43789-001 | 46007-3103 | 3 | A | SHORT | .062 | PK-43789-001 | 46007-3105 | 5 | A | SHORT | .094 | PK-43789-001 | 46007-5103 | 3 | A | SHORT | .094 | PK-43789-001 | 46007-5105 | 5 | A | LONG | .094 | PK-43789-001 | 46007-5303 | 3 | A | LONG | .094 | PK-43789-001 | 46007-5305 | 5 | A | LONG | .125 | PK-43789-001 | 46007-7303 | 3 | A | LONG | .125 | PK-43789-001 | 46007-7305 | 5 | A | LONG | .125 | PK-43789-001 |

| | | | | | | | | |
|---|----------------------------|---|--|--|---|---------------------------|-----------------------------|------------------------|
| UPDATE REV. LEVEL IEC NO. UCP2012-3878 DRAWN BY: DRWNAELHAG CHECKED BY: CHYKDJBELL APPROVED BY: APPR:FSMTH DATE: 2012/05/29 DATE: 2012/05/29 DATE: 2012/08/28 | QUALITY SYMBOLS | GENERAL TOLERANCES (UNLESS SPECIFIED) | | DIMENSION STYLE IN/MM | | SCALE 1:1 | DESIGN UNITS INCH | THIRD ANGLE PROJECTION |
| | | 4 PLACES ±.005 ±.005 3 PLACES ±.01 ±.01 2 PLACES ±0.13 ±.01 1 PLACE ±0.25 ±.01 | mm INCH ±.005 ±.005 ±.01 ±.01 ±.01 ±.01 | DRAWN BY: CSTEWARD CHECKED BY: BWIRKUS APPROVED BY: BWIRKUS DATE: 04/29/10 DATE: | TITLE SABRE HEADER ASSY RT. ANGLE, 2-6 & 8 CIR. UL 1950 COMPLIANT | | | |
| | | DRAFT WHERE APPLICABLE MUST REMAIN WITHIN DIMENSIONS | | MATERIAL NO. SEE CHART | DOCUMENT NO. SD-46007-001 | MOLEX INCORPORATED | | SHEET NO. 5 OF 6 |
| | | THIS DRAWING CONTAINS INFORMATION THAT IS PROPRIETARY TO MOLEX INCORPORATED AND SHOULD NOT BE USED WITHOUT WRITTEN PERMISSION | | | | | | |