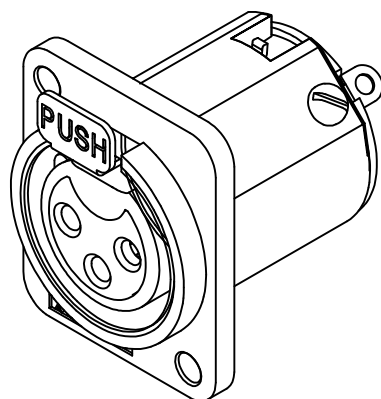


PANEL CUT OUT



ISO VIEW

| AC*FDZ | INSERT No. |
|---------|--------------|
| AC3FDZ | 156-4065-*00 |
| AC4FDZ | 156-4073-*00 |
| AC5FDZ | 156-4074-*00 |
| AC6AFDZ | 156-4075-*00 |
| AC7FDZ | 156-4076-*00 |

| | | | | | | | | |
|--|--------------|--|--------------------|--------|--|-------------|--------------------|---|
| UNLESS OTHERWISE SPECIFIED TOLERANCE TO BE | | THIS DOCUMENT IS THE PROPERTY OF AMPHENOL AUSTRALIA PTY. LTD.. NO PART THEREOF MAY BE REPRODUCED AND USED WITHOUT THE PRIOR WRITTEN CONSENT OF THE OWNER | | 2 | UPDATE TO AMPHENOL LOGO ADD SHEET 2 OF 2 FOR CUSTOMER DRAWING | M.N.H. | 27-06-00 | 7473 |
| LINEAR | ANGULAR | | | 0 | FIRST ISSUE | D.v.E. | 21-09-1995 | ---- |
| X ± 0.50 | X' ± 1' | CAD FILE: 00821102 | | REV. | CHANGE DETAILS | BY | DATE | CHG/No |
| X,X ± 0.10 | X,X' ± 30' | DRN: | D.v.E. | DATE: | 21-09-95 | TITLE: | | |
| X,XX ± 0.05 | X,X,X' ± 15' | MATL: | REFER TO COMPONENT | CKD: | M.N.H. | DATE: | 28-06-02 | AC*FDZ |
| DO NOT SCALE | | FINISH: | REFER TO COMPONENT | APP'D: | P.M. | DATE: | 28-06-02 | PANEL MOUNT |
| DIMENSIONS IN MILLIMETRES | | THIRD ANGLE PROJECTION | | SCALE: | 2:1 UOS | PART No: | 128461-0000 | Amphenol |
| | | | | | | SIZE: | A3 | Amphenol Australia Pty.Ltd, 2 Fineways Blvd, Keysborough, Vic.3173 |
| | | | | | | DRAWING NO. | | SHEET |
| | | | | | | 128461-0000 | | 2 of 2 |

Mouser Electronics

Authorized Distributor

Click to View Pricing, Inventory, Delivery & Lifecycle Information:

[Amphenol:](#)

[AC4FDZ](#) [AC4FDZB](#) [AC5FDZ](#) [AC3FDZ](#) [AC5FDZB](#) [AC6AFDZ](#) [AC3FDZB](#) [AC7FDZB](#)