

# Split Bobbin Transformers



The use of a Split Bobbin allows winding to be nonconcentric (side-by-side), consequently high isolation is achieved at low cost.

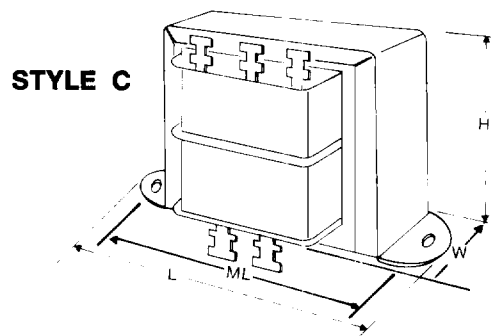
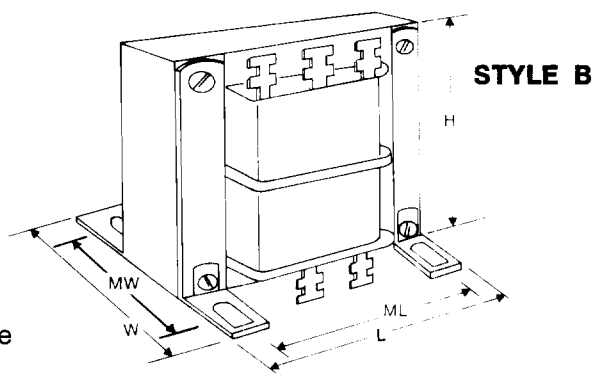
- Better insulation — 2500 VRMS hipot is standard.
- Lower capacitance — no need for electro-static shield.
- Low Leakage

Also available:

- **Units with 4000 VRMS hipot**
- Steel covers
- **Flexible leads**
- Multiple outputs
- Tapped primaries
- Quick disconnect terminals
- Consult factory for any other configurations you may require
- **High voltage transformers**
- **We Design to Meet UL, CSA, VDE, IEC, & TUV Standards.**

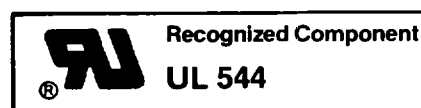
**CUSTOM PROTOTYPES  
AVAILABLE WITHIN ONE WEEK.  
CHECK OUR LOW PRICES.**

**WE SPECIALIZE IN POWER TRANSFORMERS AND ISOLATION TRANSFORMERS FOR MEDICAL ELECTRONICS (PATIENT ATTACHED EQUIPMENT) FOR DOMESTIC AND FOREIGN APPLICATIONS**

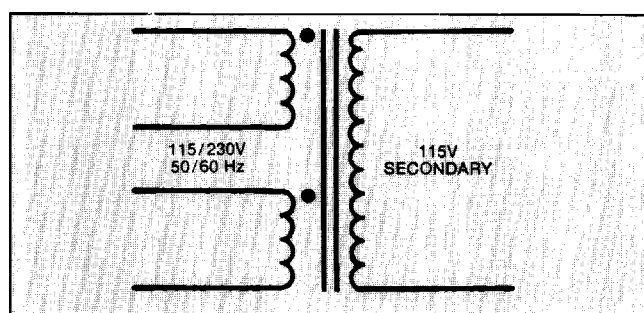


Size	Mounting Style	L	W	H	ML	MW	Approx. Lbs.	Typical Power
40	C	3 <sup>11</sup> / <sub>16</sub>	1 <sup>31</sup> / <sub>32</sub>	2 <sup>1</sup> / <sub>4</sub>	3 <sup>1</sup> / <sub>8</sub>	—	1 <sup>1</sup> / <sub>2</sub>	40VA
50	C	3 <sup>11</sup> / <sub>16</sub>	2 <sup>1</sup> / <sub>16</sub>	2 <sup>1</sup> / <sub>4</sub>	3 <sup>1</sup> / <sub>8</sub>	—	1 <sup>3</sup> / <sub>4</sub>	50VA
75	C	4 <sup>1</sup> / <sub>32</sub>	2 <sup>7</sup> / <sub>32</sub>	2 <sup>5</sup> / <sub>16</sub>	3 <sup>3</sup> / <sub>16</sub>	—	2	75VA
100	C	4 <sup>1</sup> / <sub>32</sub>	2 <sup>19</sup> / <sub>32</sub>	2 <sup>5</sup> / <sub>16</sub>	3 <sup>3</sup> / <sub>16</sub>	—	2 <sup>3</sup> / <sub>4</sub>	100VA
120	C	4 <sup>1</sup> / <sub>2</sub>	2 <sup>19</sup> / <sub>32</sub>	2 <sup>7</sup> / <sub>8</sub>	4	—	3	120VA
150	B	3 <sup>3</sup> / <sub>4</sub>	2 <sup>13</sup> / <sub>16</sub>	3 <sup>1</sup> / <sub>8</sub>	3 <sup>1</sup> / <sub>8</sub>	2 <sup>1</sup> / <sub>4</sub>	4	150VA
200	B	4 <sup>1</sup> / <sub>8</sub>	3	3 <sup>3</sup> / <sub>16</sub>	3 <sup>3</sup> / <sub>16</sub>	2 <sup>3</sup> / <sub>8</sub>	5 <sup>1</sup> / <sub>2</sub>	200VA
300	B	4 <sup>1</sup> / <sub>2</sub>	3 <sup>1</sup> / <sub>4</sub>	3 <sup>3</sup> / <sub>4</sub>	3 <sup>3</sup> / <sub>4</sub>	2 <sup>1</sup> / <sub>2</sub>	7	300VA
500	B	4 <sup>1</sup> / <sub>2</sub>	4 <sup>1</sup> / <sub>4</sub>	3 <sup>3</sup> / <sub>4</sub>	3 <sup>3</sup> / <sub>4</sub>	3 <sup>1</sup> / <sub>2</sub>	11	500VA
750	B	5 <sup>1</sup> / <sub>4</sub>	4 <sup>1</sup> / <sub>2</sub>	4 <sup>3</sup> / <sub>8</sub>	4 <sup>3</sup> / <sub>8</sub>	3 <sup>5</sup> / <sub>8</sub>	16	750VA
1000	B	6 <sup>3</sup> / <sub>8</sub>	4 <sup>5</sup> / <sub>8</sub>	5 <sup>5</sup> / <sub>16</sub>	5 <sup>5</sup> / <sub>16</sub>	3 <sup>1</sup> / <sub>4</sub>	20	1000VA
1800	B	7 <sup>1</sup> / <sub>2</sub>	5 <sup>3</sup> / <sub>8</sub>	6 <sup>1</sup> / <sub>4</sub>	6 <sup>3</sup> / <sub>4</sub>	3 <sup>5</sup> / <sub>8</sub>	32	1800VA

## Split Bobbin Power Isolation Transformers



Part Number	Size	Secondary RMS Rating
I-8	100	115V @ .8A
I-1	120	115V @ 1A
I-1.3	150	115V @ 1.3A
I-1.7	200	115V @ 1.7A
I-2.6	300	115V @ 2.6A
I-4.3	500	115V @ 4.3A
I-6.5	750	115V @ 6.5A
I-9	1000	115V @ 9A
I-15	1800	115V @ 15A

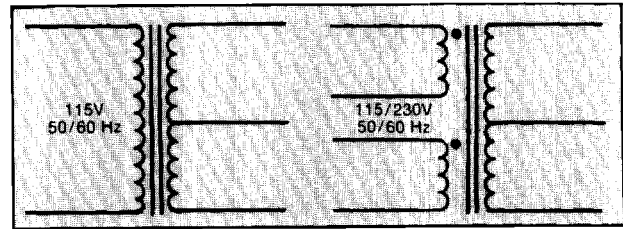


# Split Bobbin Power Transformers

Ideal for use in rectifier circuits

Add Prefix D to Part Numbers below if Dual Primary is Required

Please note that the sizes shown on this page refer to the chart on the facing page



Part Number	Secondary RMS Rating	Size
10T-4	10VCT @ 4A	40
10T-5	10VCT @ 5A	50
10T-7.5	10VCT @ 7.5A	75
10-10*	10V @ 10A	100
10-12*	10V @ 12A	120
10-15*	10V @ 15A	150
12T-3.2	12.6VCT @ 3.2A	40
12T-4	12.6VCT @ 4A	50
12T-6	12.6VCT @ 6A	75
12T-8	12.6VCT @ 8A	100
*2-10*	12.6V @ 10A	120
*2-12*	12.6V @ 12A	150
16T-2.5	16VCT @ 2.5A	40
16T-3.2	16VCT @ 3.2A	50
16T-4.5	16VCT @ 4.5A	75
16T-6	16VCT @ 6A	100
16T-8	16VCT @ 8A	120
16-10*	16V @ 10A	150
16-12*	16V @ 12A	200
20T-2	20VCT @ 2A	40
20T-2.5	20VCT @ 2.5A	50
20T-3.8	20VCT @ 3.8A	75
20T-5	20VCT @ 5A	100
20T-6	20VCT @ 6A	120
24T-1.7	24VCT @ 1.7A	40
24T-2	24VCT @ 2A	50
24T-3.2	24VCT @ 3.2A	75
24T-4	24VCT @ 4A	100
24T-5	24VCT @ 5A	120
24T-6	24VCT @ 6A	150
24T-8	24VCT @ 8A	200
24-12*	24V @ 12A	300
28T-1.4	28VCT @ 1.4A	40
28T-1.8	28VCT @ 1.8A	50
28T-2.6	28VCT @ 2.6A	75
28T-3.5	28VCT @ 3.5A	100

Part Number	Secondary RMS Rating	Size
28T-4.2	28VCT @ 4.2A	120
28T-5.4	28VCT @ 5.4A	150
28T-7	28VCT @ 7A	200
28-10*	28V @ 10A	300
32T-1.2	32VCT @ 1.2A	40
32T-1.5	32VCT @ 1.5A	50
32T-2.4	32VCT @ 2.4A	75
32T-3	32VCT @ 3A	100
32T-3.8	32VCT @ 3.8A	120
32T-4.5	32VCT @ 4.5A	150
32T-6	32VCT @ 6A	200
36T-1	36VCT @ 1A	40
36T-1.4	36VCT @ 1.4A	50
36T-2	36VCT @ 2A	75
36T-2.8	36VCT @ 2.8A	100
36T-3.3	36VCT @ 3.3A	120
36T-4	36VCT @ 4A	150
36T-5.5	36VCT @ 5.5A	200
36T-8	36VCT @ 8A	300
36-12*	36V @ 12A	500
40T-1	40VCT @ 1A	40
40T-1.2	40VCT @ 1.2A	50
40T-1.8	40VCT @ 1.8A	75
40T-2.5	40VCT @ 2.5A	100
40T-3	40VCT @ 3A	120
40T-3.8	40VCT @ 3.8A	150
40T-5	40VCT @ 5A	200
40T-7.5	40VCT @ 7.5A	300
48T-8	48VCT @ .8A	40
48T-1	48VCT @ 1A	50
48T-1.5	48VCT @ 1.5A	75
48T-2	48VCT @ 2A	100
48T-2.5	48VCT @ 2.5A	120
48T-3	48VCT @ 3A	150
48T-4	48VCT @ 4A	200
48T-6	48VCT @ 6A	300

Part Number	Secondary RMS Rating	Size
56T-.7	56VCT @ .7A	40
56T-.9	56VCT @ .9A	50
56T-1.3	56VCT @ 1.3A	75
56T-1.7	56VCT @ 1.7A	100
56T-2.1	56VCT @ 2.1A	120
56T-2.7	56VCT @ 2.7A	150
56T-3.6	56VCT @ 3.6A	200
56T-5.4	56VCT @ 5.4A	300
56-8*	56V @ 8A	500
56-13*	56V @ 13A	750
68T-.6	68VCT @ .6A	40
68T-.7	68VCT @ .7A	50
68T-1.1	68VCT @ 1.1A	75
68T-1.4	68VCT @ 1.4A	100
68T-1.8	68VCT @ 1.8A	120
68T-2.2	68VCT @ 2.2A	150
68T-2.9	68VCT @ 2.9A	200
68T-4.4	68VCT @ 4.4A	300
68-7*	68V @ 7A	500
68-11*	68V @ 11A	750
80T-.5	80VCT @ .5A	40
80T-.6	80VCT @ .6A	50
80T-.9	80VCT @ .9A	75
80T-1.2	80VCT @ 1.2A	100
80T-1.5	80VCT @ 1.5A	120
80T-1.9	80VCT @ 1.9A	150
80T-2.5	80VCT @ 2.5A	200
80T-3.8	80VCT @ 3.8A	300
80T-6	80VCT @ 6A	500
80-9*	80V @ 9A	750
120T-.3	120VCT @ .3A	40
120T-.4	120VCT @ .4A	50
120T-.6	120VCT @ .6A	75
120T-.8	120VCT @ .8A	100

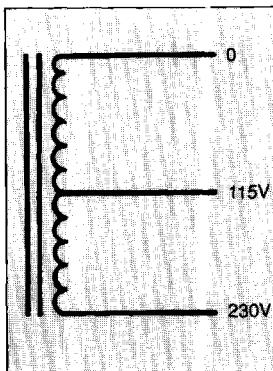
\* These items do not have center-tapped secondaries

## Autotransformers

230V/115V or 115V/230V  
50/60Hz

Autotransformers with a 2:1 or 1:2 ratio are twice as powerful as isolation transformers of the same size.

**Custom Prototypes Available Within 1 Week**



Part Number	Power Rating	Size
A-80	80VA	40
A-100	100VA	50
A-150	150VA	75
A-200	200VA	100
A-240	240VA	120
A-300	300VA	150

Part Number	Power Rating	Size
A-400	400VA	200
A-600	600VA	300
A-1000	1000VA	500
A-1500	1500VA	750
A-2000	2000VA	1000
A-3600	3600VA	1800