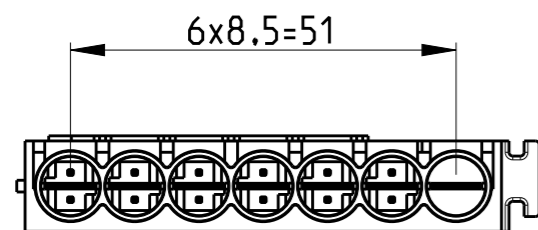
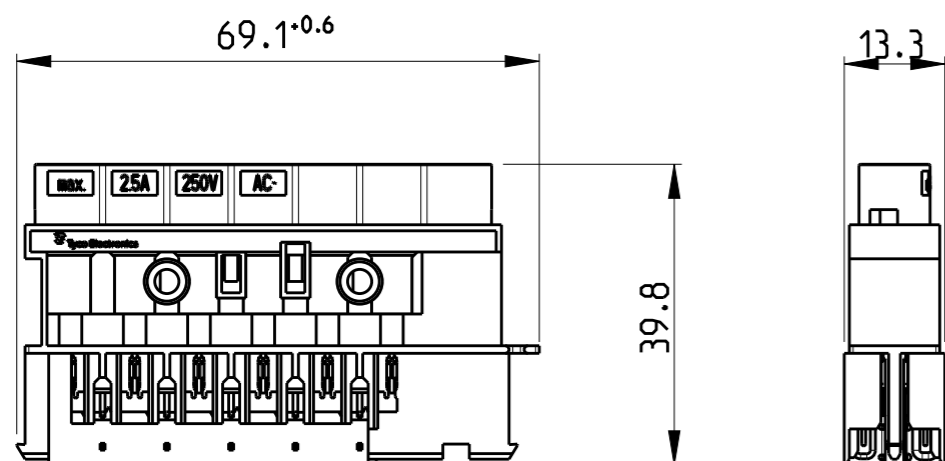


THIS DRAWING IS UNPUBLISHED. RELEASED FOR PUBLICATION 2006
 © COPYRIGHT 2006 BY - ALL RIGHTS RESERVED.

| REVISIONS | | | | | |
|-----------|-----|-------------------------------|-----------|-----|------|
| P | LTR | DESCRIPTION | DATE | DWN | APVD |
| | C | SERIES GEOMETRY | 23MAY2007 | SKA | TG |
| | C1 | UPDATED TOLERANCE LENGHT 61.1 | 05MAY2011 | AV | GT |
| | C2 | ECR-14-001570 | 27JAN2014 | KR | JC |

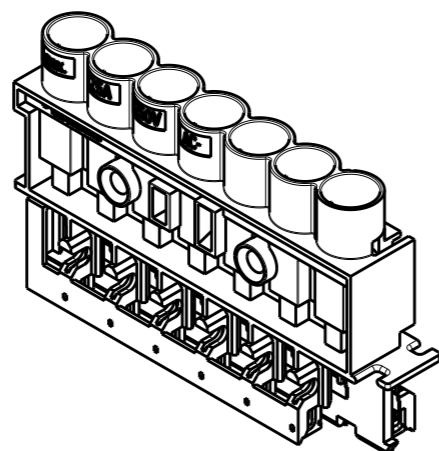
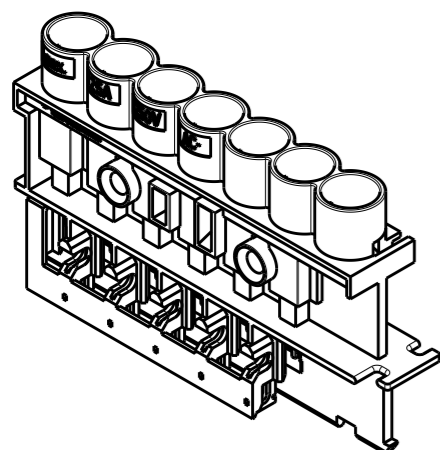


NOTES:

- PARTS PRELOADED WITH CONTACTS
- MATERIAL HOUSING: PA6/WEIGHT ~11 g
MATERIAL CONTACTS: CuNiSi/WEIGHT ~2.8 g
- FOR 7 POS. VERSION ADD CODING RING PN 1740316-1

6 POS VERSION AS SHOWN

7-POS VERSION FOR SWITCH APPLICATION AS SHOWN ABOVE



1:1

| | | | | | |
|-----------|-----------|-------------|------|--------------------|---------------------------------|
| HV-2 (1X) | LV-2 (6x) | 1-1740317-1 | B | YELLOW | DISTRIBUTOR 7 POS. 7A/42V DC |
| | LV-2 (6x) | 0-1740317-9 | B | YELLOW | DISTRIBUTOR 6 POS. 7A/42V DC |
| HV-2 (1X) | LV-1 (6x) | 0-1740317-8 | B | LIGHT GREY | DISTRIBUTOR 7 POS. 7A/42V AC |
| | LV-1 (6x) | 0-1740317-7 | B | LIGHT GREY | DISTRIBUTOR 6 POS. 7A/42V AC |
| HV-2 (1X) | HV-3 (6x) | 0-1740317-6 | B | BLUE | DISTRIBUTOR 7 POS. 6A/125V AC |
| | HV-3 (6x) | 0-1740317-5 | B | BLUE | DISTRIBUTOR 6 POS. 6A/125V AC |
| HV-2 (1X) | HV-1 (6x) | 0-1740317-4 | C | BLACK (ANTHRACITE) | DISTRIBUTOR 7 POS. 2.5A/250V AC |
| | HV-1 (6x) | 0-1740317-3 | C | BLACK (ANTHRACITE) | DISTRIBUTOR 6 POS. 2.5A/250V AC |
| HV-2 (1X) | HV-1 (6x) | 0-1740317-2 | C | WHITE | DISTRIBUTOR 7 POS. 2.5A/250V AC |
| | HV-1 (6x) | 0-1740317-1 | C | WHITE | DISTRIBUTOR 6 POS. 2.5A/250V AC |
| SWITCH | WAY | ASS'Y PN | Rev. | COLOR | REMARKS |
| CODING | | | | | |

| | | | | | | |
|--|--|----------------------------|---|-----------------|----------------------|-----------------|
| THIS DRAWING IS A CONTROLLED DOCUMENT. | | DWN SKA 13APR2006 | | | | |
| | | CHK WH 13APR2006 | | | | |
| | | APVD TG 13APR2006 | | | | |
| | | PRODUCT SPEC 108-94019 | | | | |
| DIMENSIONS: mm | | APPLICATION SPEC 117-20139 | NAME 7.5mm MiniHVL CONNECTOR SYSTEM CONTACT AND HOUSING ASSEMBLY 6 AND 7 POSITION | | | |
| TOLERANCES UNLESS OTHERWISE SPECIFIED: | | WEIGHT ~13.8 g | SIZE A3 | CAGE CODE 00779 | DRAWING NO C-1740317 | RESTRICTED TO - |
| MATERIAL - | | Customer Drawing | SCALE 1:1 | SHEET 1 OF 1 | REV C2 | |

Mouser Electronics

Authorized Distributor

Click to View Pricing, Inventory, Delivery & Lifecycle Information:

[TE Connectivity:](#)

[1-1740317-1](#) [1740317-1](#) [1740317-2](#) [1740317-3](#) [1740317-4](#) [1740317-7](#) [1740317-8](#) [1740317-9](#)