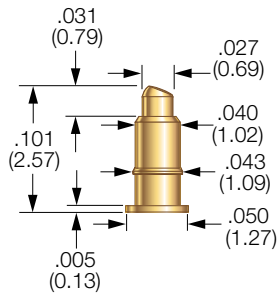
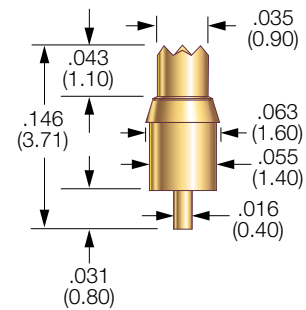


# Battery and Connector Probes

## 101582 PROBE



## 101438 PROBE



### PROBE SPECIFICATIONS

**Minimum Centers:** .070 (1.78)  
.050 (1.27) staggered rows  
**Current Rating:** 20 amps continuous  
(Individual probe in free air @ ambient temperature)  
**Spring Force:** 1.7 oz. (48g) @ .030 (0.76) travel  
**Typical Resistance:** < 10 mΩ  
**Maximum Travel:** .030 (0.76)  
**Working Travel:** .030 (0.76)

### MATERIALS

**Barrel:** Brass, gold plated  
**Spring:** Stainless steel  
**Plungers:** Beryllium copper, gold plated

### PROBE SPECIFICATIONS

**Minimum Centers:** .080 (2.03)  
**Current Rating:** 1 amp continuous  
(Individual probe in free air @ ambient temperature)  
**Spring Force:** 3.5 oz. (99g) @ .020 (0.51) travel  
**Typical Resistance:** < 10 mΩ  
**Maximum Travel:** .039 (0.99)  
**Working Travel:** .020 (0.51)

### MATERIALS

**Barrel:** Brass, gold plated  
**Spring:** Stainless steel, gold plated  
**Plunger:** Beryllium copper, gold plated

## HOW TO ORDER

101582-000

## HOW TO ORDER

101438-000

Specifications subject to change without notice. Dimensions in inches (millimeters)

# Mouser Electronics

Authorized Distributor

Click to View Pricing, Inventory, Delivery & Lifecycle Information:

IDI:

[101438-000](#) [101582-000](#)