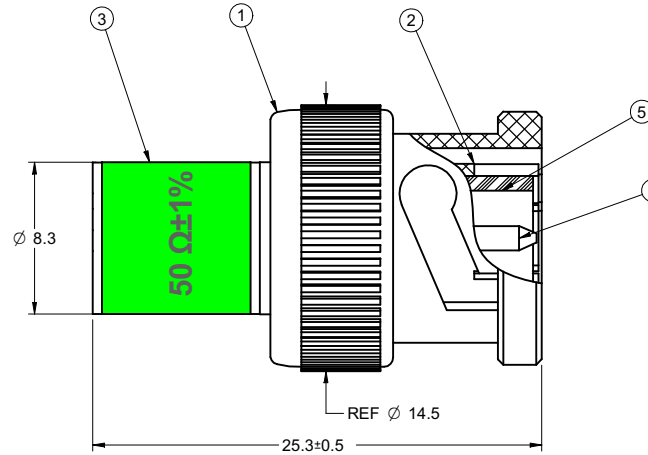


	5			4		2		1
PART NUMBER	ITEM ① NUT	ITEM ② BODY	ITEM ③ LABEL	ITEM ④ CONTACT	ITEM ⑤ INSULATOR			
27-9008	ZINC NICKEL PLATED	BRASS NICKEL PLATED	SELF ADHESIVE PE	BRASS GOLD PLATED	DELTRIN			

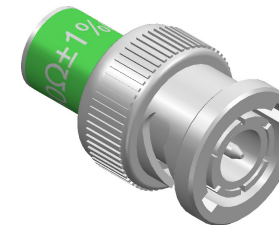
DRAWING NO. 27-9008	
REVISIONS	
01	OFFICIAL RELEASE 2009.09.09 08-18-09 L L T H <i>Betty</i> 2009.09.09 08-18-09



受控 CONTROLLED DOCUMENT					
编号 P/N	27-9008	版本 Rev	01	日期 Rel'd Date	SEP 14, 09

NOTES:

1. IMPEDANCE: 50 OHMS NOMINAL
2. FREQUENCY RANGE: 0-1 GHz
3. RECOMMENDED TEMPERATURE RANGE: -55 °C TO +85°C
4. FURTHER TECHNICAL DETAIL: REFER TO EMERSON DOCUMENT P/N 27-0000
5. LABEL: GREEN BACKGROUND GRAY WORDS (50 Ω±1%)



THIS DRAWING TO BE INTERPRETED
PER ANSI Y 14.5M - 1994

COMPANY CONFIDENTIAL

TOLERANCE UNLESS OTHERWISE SPECIFIED		DRAWN BY LINDA.WU	DATE 08-18-09
DECIMALS	mm	CHECKED BY LINDA.WU	DATE 08-18-09
X	± 0.5	APPROVED BY THOMAS	DATE 08-18-09
X.X	± 0.2		
X.XX	± 0.1		
ANGLES	± 0.5°	U/M mm	

EMERSON Network Power		Connectivity Solutions	
TITLE CP88T50 BNC(M) 50TERM, NO CHAIN			
SHEET 1 OF 1	DRAWING NO. 27-9008	SIZE C	

THIS DRAWING WAS PRODUCED BY COMPUTER,
DO NOT SCALE DRAWING OR UPDATE MANUALLY.