

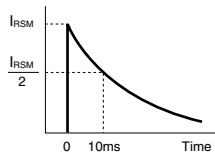
4-7 Power Zener Diodes

P (W)	VZ 1mA (V)	PR (W)	Package	Part Number	VDC (V)	IZSM (A)	Conditions	Tj Tstg (°C)	IR (μA) max	Mass(g)
1	28±3	50 (5ms)	Surface-Mount (SFP)	SFPZ-68	20	2	5 mA rectangular wave	-40 to +150	10	0.07
1	28±3		Surface-Mount (SJP)	SJPZ-K28*	20	-	-	-55 to +150	10	0.07
1	16.8 to 19.1	85 (500 μs)	Surface-Mount (SJP)	SJPZ-E18*	13	-	-	-55 to +150	10	0.07
1	25.1 to 28.9		Surface-Mount (SJP)	SJPZ-E27*	20	-	-	-55 to +150	10	0.07
1	31.0 to 35.0		Surface-Mount (SJP)	SJPZ-E33*	25	-	-	-55 to +150	10	0.07
1	34.0 to 38.0		Surface-Mount (SJP)	SJPZ-E36*	27	-	-	-55 to +150	10	0.07
5	28±3	1500 (5ms)	Axial (φ10.0/φ1.3)	PZ628	20	65	-	-40 to +150	50	2.6
5	24 to 30	-	Surface-Mount (SZ-10)	SZ-10N27	22	70	Fig.1	-55 to +175	10	2.55
5	36 to 40	-	Surface-Mount (SZ-10)	SZ-10N40*	22	45	Fig.1	-55 to +175	10	2.55
6	24 to 30	-	Surface-Mount (SZ-10)	SZ-10NN27	22	90	Fig.1	-55 to +175	10	2.55
6	36 to 40	-	Surface-Mount (SZ-10)	SZ-10NN40	22	70	Fig.1	-55 to +175	10	2.55

* : Under Development

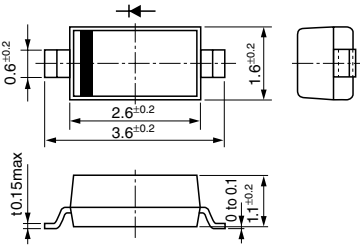
Figure1

SZ-10 IZSM Condition

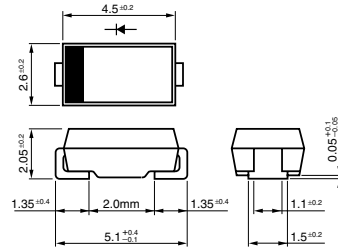


Package Type (Dimensions)

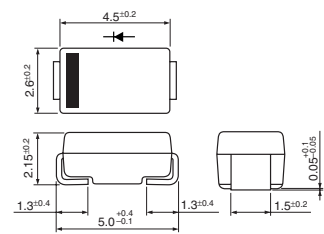
• No. 1 Surface-Mount (Compact)



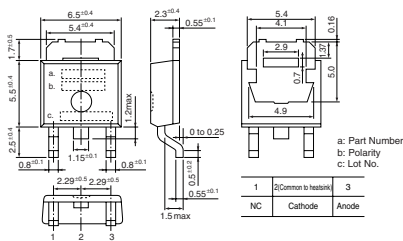
• No. 2 Surface-Mount (SFP)



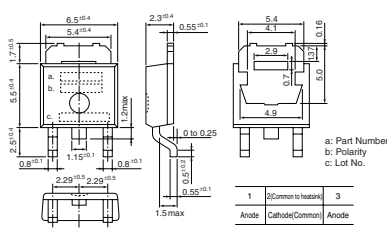
• No. 3 Surface-Mount (SJP)



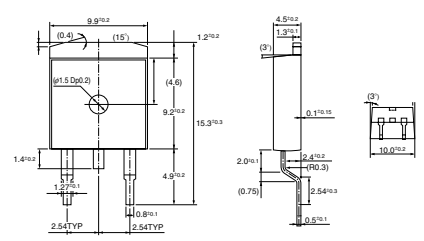
• No. 4 Surface-Mount (D pack)



• No. 5 Surface-Mount (D pack) Center-tap

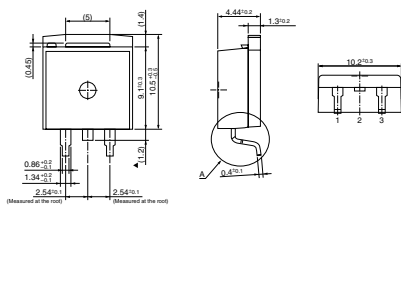


• No. 6 Surface-Mount (TO263)

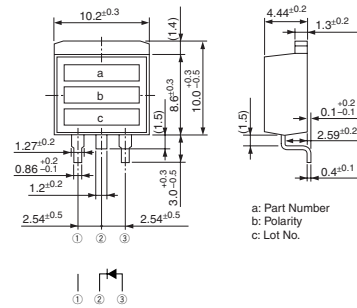


• No. 7 Surface-Mount (TO220S)

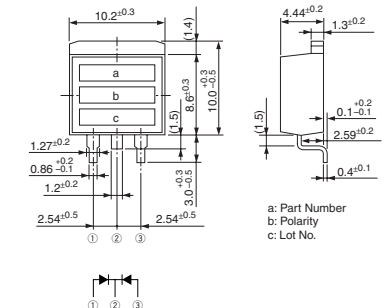
MPL-102S, MP2-202S



• No. 8 Surface-Mount (TO220S)

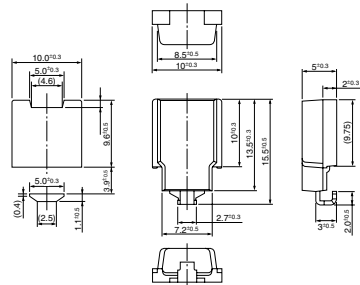


• No. 9 Surface-Mount (TO220S) Center-tap

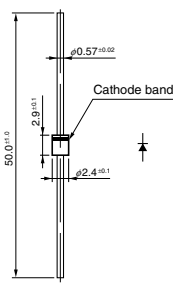


*② is common to the frame.

• No. 10 Surface-Mount (SZ-10)



• No. 11 Axial (φ2.4/φ0.6)



• No. 12 Axial (φ2.7/φ0.6)

