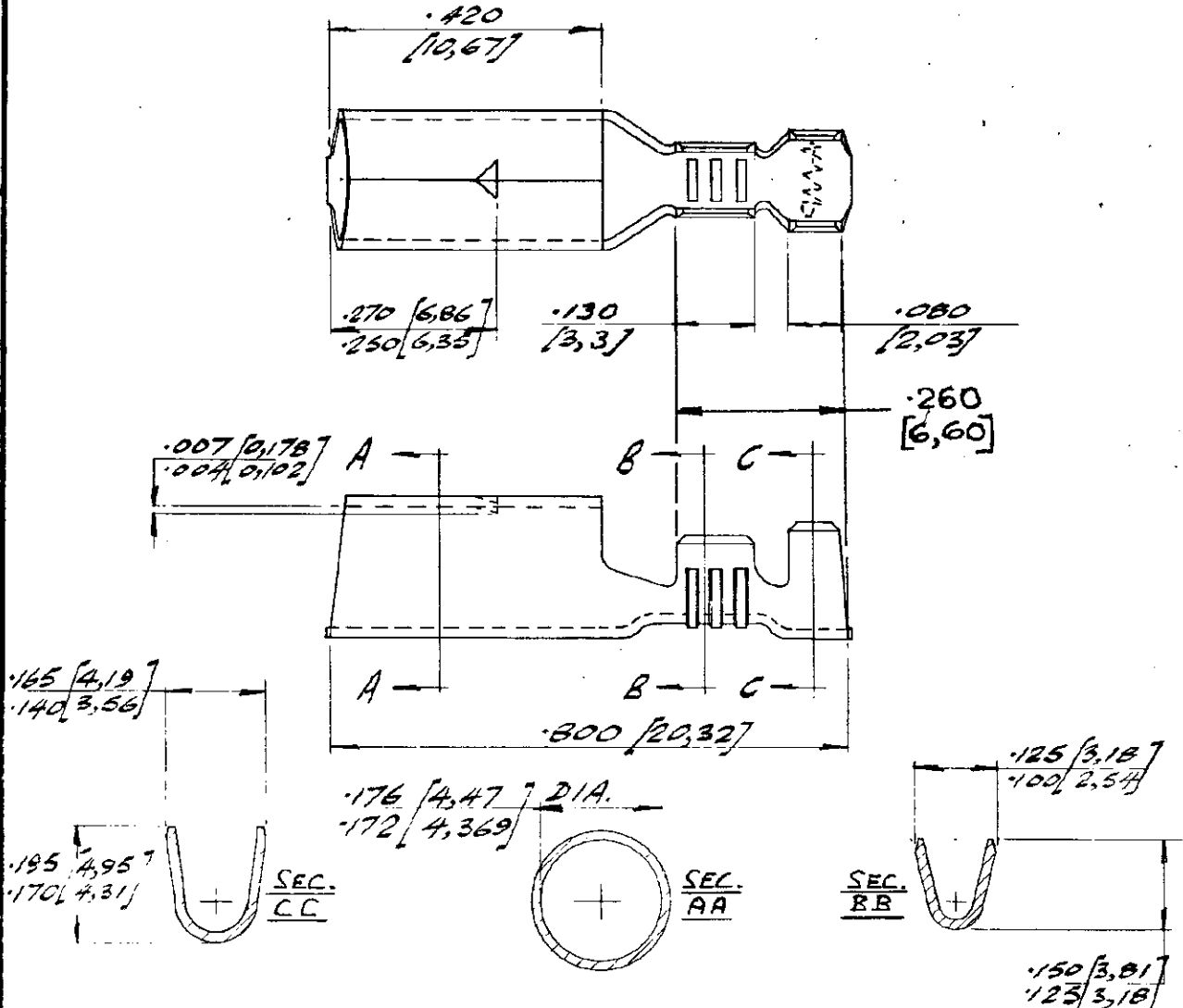


NUMBER
C152404

3rd ANGLE (AMERICAN) PROJECTION

DIMENSIONS IN INCHES. DO NOT SCALE PRINT
DIMENSIONS THUS [] IN MM.



152404-5	PHOS. BRONZE	ELECTRO TIN	OBSOLETE
152404-4	SPECIAL BRASS	NONE	OBSOLETE
152404-3	PHOS. BRONZE	NONE	SUPERSEDED BY 42531-3
152404-2	BRASS	ELECTRO TIN	SUPERSEDED BY 42531-2
152404-1	BRASS	NONE	SUPERSEDED BY 42531-1

PART NO MATERIAL FINISH

E ECO-14-014629			M.D	12SEP14	© AIRCRAFT/MARINE PRODUCTS GREAT BRITAIN, LTD 1970		CUSTOMER COPY REFERENCE ONLY	
D -5 ADDED			J.C.	11/182	MATERIAL AND FINISH .016 [.417] STOCK THICK.		A DIVISION OF AIRCRAFT-MARINE PRODUCTS (GREAT BRITAIN) LTD STANMORE, MDDX.	
C .260 [6,60] DIM. ADDED			KS	-	SEE TABLE			
B -4 ADDED			T.C.	17-6-74	WIRE - RANGE - INSULATION 20-16 [2,29-3,05]		TYPE	
A .130 [3,30]			W	31-1-72	TO FRANCE EXCEPT AS NOTED		SCALE 4:1	
REV	REVISION RECORD	DR	CHK	DATE	NO		EAC-152404	

WELLS 11/6/70
RSMIA 11/6/70
J.A. Trace 11/6/70
-180 [4,57] DIA.
SHUR PLUG RECEPTACLE