

φ172mm

San Ace 172

- 51mm thick (Sidecut type)
- 51mm thick (Round type)
- 51mm thick (Round type /with sensor)



General Specifications

- Material..... Frame: Aluminum, Impeller:Plastics (Flammability: UL94V-1)
- Life Expectancy Varies for each model (L10:Survival rate: 90% at 60°C , rated voltage,and continuously run in a free air state)
- Dielectric Strength 50/60Hz 1,500VAC 1minute (between input terminal and frame)
- Dielectric Strength (With Sensor) ... between AC input and DC input(Sensor output)
 - : 50/60Hz 1,000VAC 1minute
 - between AC input and G
 - : 50/60Hz 1,500VAC 1minute,
 - between G and DC input(Sensor output)
 - : 50/60Hz 1,000VAC 1minute
- Sensor-Purpose Lead Wire ... ⊕ brown ⊖ black (Sensor) yellow

φ172mm×51mm (Mass : 960g / 980g (with Sensor)) **Round type**

Specifications Standard

Model No.	Voltage [V]	Frequency [Hz]	Input [W]	Current [A]	Locked Rotor Current [A]	Rated Speed [min ⁻¹]	Air Flow [m ³ /min] [CFM]	Static Pressure [Pa] [inchH ₂ O]	SPL [dB(A)]	Operating Temperature [°C]	Life Expectancy [h]
109-311	100	50/60	27/25	0.33/0.25	0.65/0.64	2,900/3,500	5.3/6.4 187.3/226.1	147/196 0.590/0.787	47/51	-30 to +60	25,000
109-314	115			0.29/0.22	0.55/0.54						
109-312	200			0.16/0.13	0.33/0.32						
109-313	230			0.14/0.11	0.28/0.27						

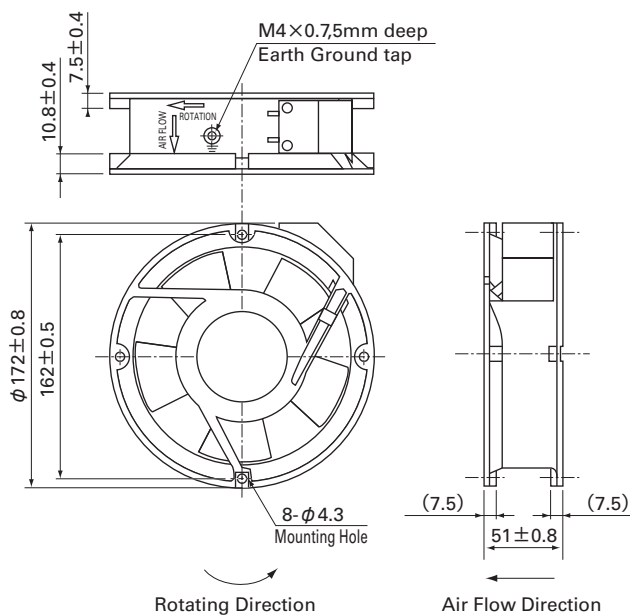
with Sensor

Model No.	Voltage [V]	Frequency [Hz]	Input [W]	Current [A]	Locked Rotor Current [A]	Rated Speed [min ⁻¹]	Air Flow [m ³ /min] [CFM]	Static Pressure [Pa] [inchH ₂ O]	SPL [dB(A)]	Operating Temperature [°C]	Life Expectancy [h]
109-371	100	50/60	27/25	0.33/0.25	0.65/0.64	2,900/3,500	5.3/6.4 187.3/226.1	147/196 0.590/0.787	47/51	-10 to +60	25,000
109-374	115			0.29/0.22	0.55/0.54						
109-372	200			0.16/0.13	0.33/0.32						
109-373	230			0.14/0.11	0.28/0.27						

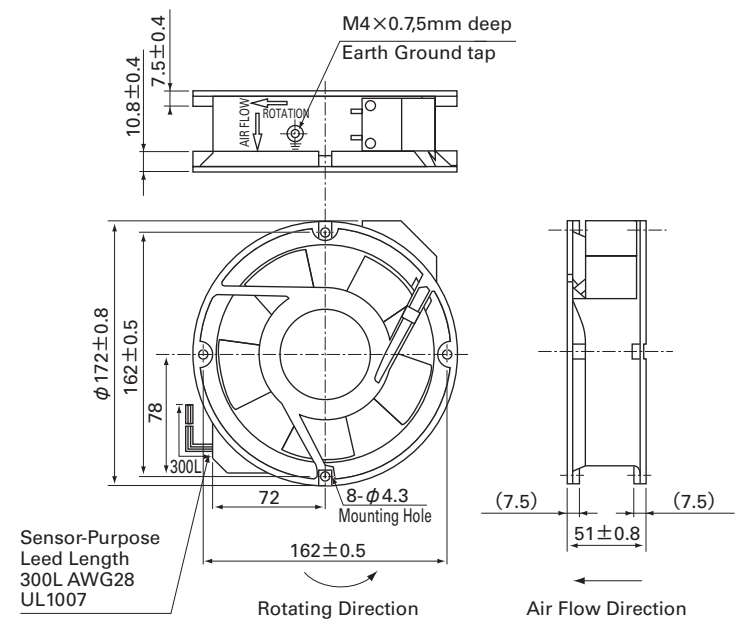
Two types of power supplies, 5V and 12V, are available in fans with sensor attached.

Dimensions (Unit : mm)

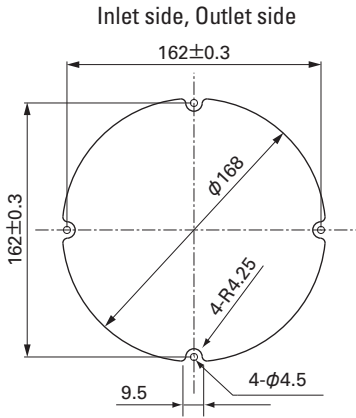
Standard



with Sensor

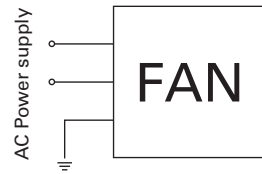


Reference dimension of mounting holes and vent opening
(Unit : mm)

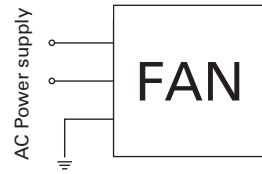


Wiring diagram

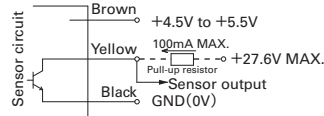
Standard



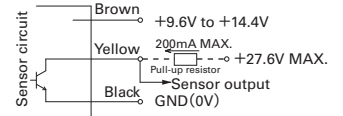
with Sensor
(For fan power supply)



5V



12V



GND (Black) should be shared in case that power supply for sensor circuit (Brown) and that for sensor pull-up (Yellow) are separated.

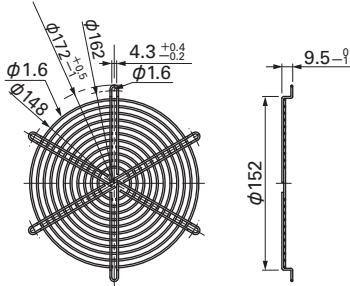
Options (Unit : mm)

Finger guards

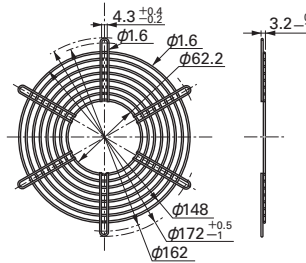
Model : 109-319E Surface treatment : Nickel-chrome plating (silver) Color : Silver
: 109-319H : Cation electropainting (black) Color : Black

Model : 109-320 Surface treatment : Nickel-chrome plating (silver) Color : Silver

Inlet side, Outlet side



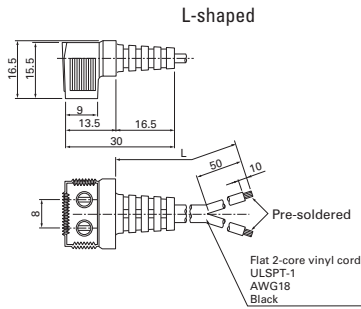
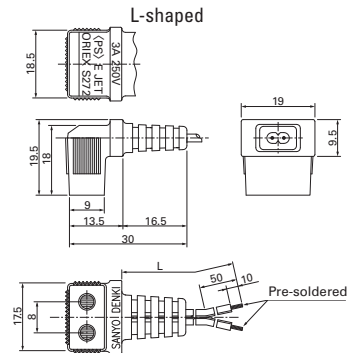
Outlet side



Plug cord

(Products compliant with Electrical Appliance and Material Safety Law)
Model : 489-1619-L10/489-1619-L21

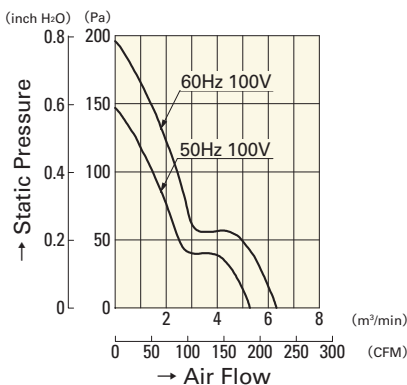
(UL/CSA CERTIFIED)
UL FILE No. E50197 CSA FILE No. LR67048
Model No. : 489-084-L10/489-084-L21



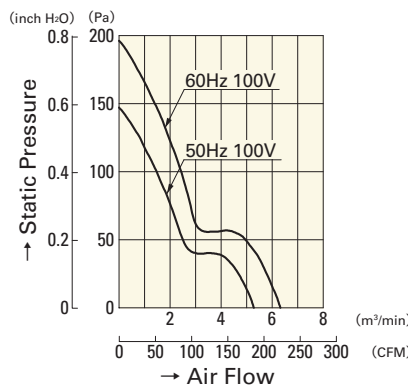
Model	Power cord length(mm)
- L10	1,000
- L21	2,100

Air Flow - Static Pressure Characteristics

Standard



with Sensor



109-311	109-314
109-312	109-313

109-371	109-374
109-372	109-373

Mouser Electronics

Authorized Distributor

Click to View Pricing, Inventory, Delivery & Lifecycle Information:

[Sanyo Denki:](#)

[109-313](#) [109-314](#) [109-311](#) [109-312](#)