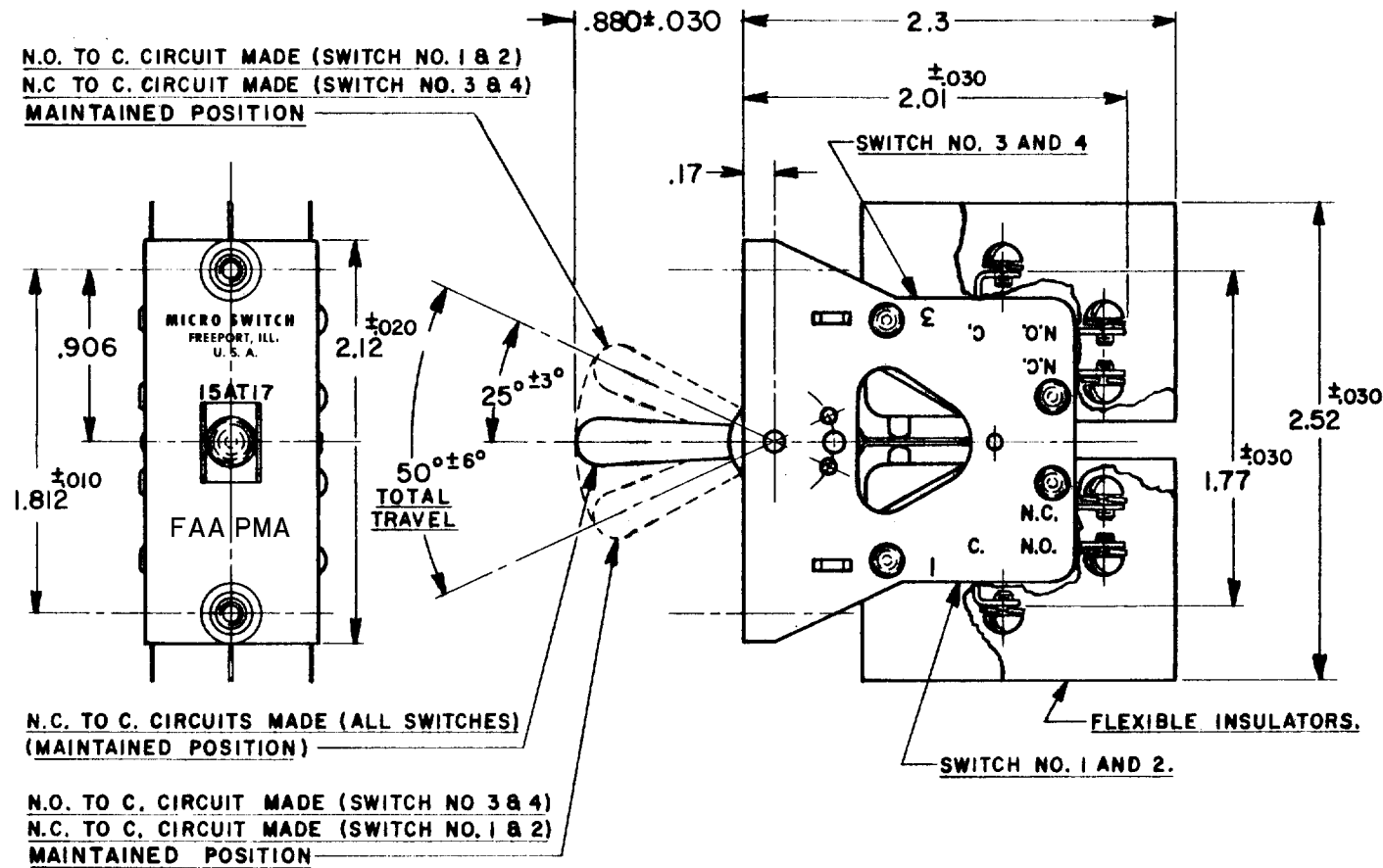
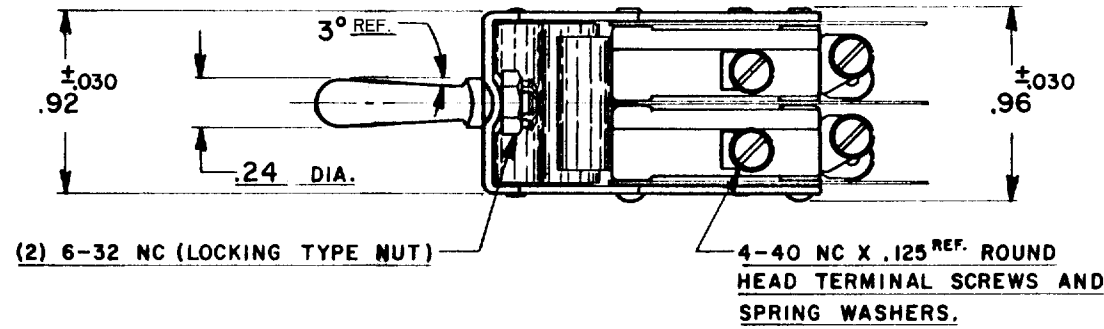


HONEYWELL  
PART NUMBER  
**15AT17**  
FAA - PMA

REV	DOCUMENT	CHANGED BY	CHECK
6	0007403	KR 24AUG04	AK



- NOTES
- UNIT INCLUDES (4) CAT. LIST. V3-444 BASIC SWITCHES
  - SWITCHES DO NOT NECESSARILY OPERATE SIMULTANEOUSLY.
  - SAME AS 15AT1 EXCEPT WITH THE BASIC SWITCH NO. (.156±.030 HIGH) MARKED ON SIDE OF BRACKET
- FOR MANUFACTURING DETAIL SEE ASSEMBLY DRAWING 15AT17 FOR FAA-PMA

REPLACES SKETCH 20159 ISSUE 1

ELECTRICAL DATA	
CONTACT ARRANGEMENT (4) S.P.D.T.	BREAK DISTANCE .040 APPROX.
15 A-1/3 HP-125 OR 250 VAC 1/2 A-125 VDC; 1/4 A-250 VDC	

DESIGN UNITS: INCH	
TOLERANCES UNLESS NOTED:	
NO PLACE	X ±
ONE PLACE	.X ±
TWO PLACE	.XX ±
THREE PLACE	.XXX ±
FOUR PLACE	.XXXX ±
ANGLES	±
THIRD ANGLE PROJECTION	

DRAWN	MBF	20JUN58
CHECK	GCH	23SEP58
THIS DRAWING COVERS A PROPRIETARY ITEM AND IS THE PROPERTY OF HONEYWELL. THIS DRAWING IS NOT TO BE COPIED OR USED WITHOUT THE PERMISSION OF HONEYWELL.		
INTERPRET PER ASME Y14.5M-1994 OTHER HONEYWELL ENGINEERING STANDARDS MAY APPLY		
RASTER		

<b>Honeywell</b>			
TITLE ASSEMBLY - TOGGLE SWITCH			
SIZE	TYPE	DRAWING NAME	REV
<b>B</b>	<b>I</b>	15AT17	6
SCALE	1:1	SHEET	1 OF 1