

HB Series Single Pole Standard Precision Snap-acting Switches

Features/Benefits

- Low differential travel, high repeatability
- Long life—150,000 cycles typical
- Single and double pole circuitry
- Sealed actuator and case

Typical Applications

- Thermostats
- Motors
- Industrial controls



Specifications

CONTACT RATING: From low level* to 20 AMPS @ 480 V AC; see ELECTRICAL RATING option section for complete listings.
 ELECTRICAL LIFE: 150,000 cycles at 20 AMPS @ 250 V AC. consult Customer Service Center for typical life at other ratings.
 INSULATION RESISTANCE: 1,000 M ohm min.
 DIELECTRIC STRENGTH: 1,500 Vrms min. @ sea level.
 OPERATING TEMPERATURE: -67°F to 302°F (-55°C to 150°C).
 OPERATING FORCE: From 4 oz. to 26 oz. max. at actuator button available.
 MOUNTING SCREWS: Torque 3 in/lbs max. (Note: Exceeding 3 in/lbs torque may change operating characteristics and increase the possibility of cracking switch case).
 TERMINAL SCREWS: Torque 4 in/lbs max.
 PANEL MOUNTING BUSHING: Torque 4-6 in/lbs max.
 DEGREE OF PROTECTION: IP65; Dust-proof, water splash and dew condensation.

Materials

SWITCH HOUSING: Heat resistant/electrical grade phenolic.
 INSERTS: Brass alloy.
 ACTUATOR BUTTON: Moisture resistant phenolic.
 SPRING: Copper alloy.
 PIVOT: Brass alloy.
 MOVABLE CONTACTS: Gold alloy for ratings 1 AMP or less. Fine silver for ratings greater than 1 AMP and motor load ratings less than 1/2 HP @ 125 V AC. Silver alloy for motor load ratings 1/2 HP @ 125 V AC or greater.
 STATIONARY CONTACTS: Gold alloy for ratings 1 AMP or less. Fine silver welded to copper base for ratings greater than 1 AMP and motor load ratings less than 1/2 HP @ 125 V AC. Silver alloy on copper base for motor load ratings 1/2 HP @ 125 V AC or greater.
 TERMINALS: Brass alloy, bright tin plated.

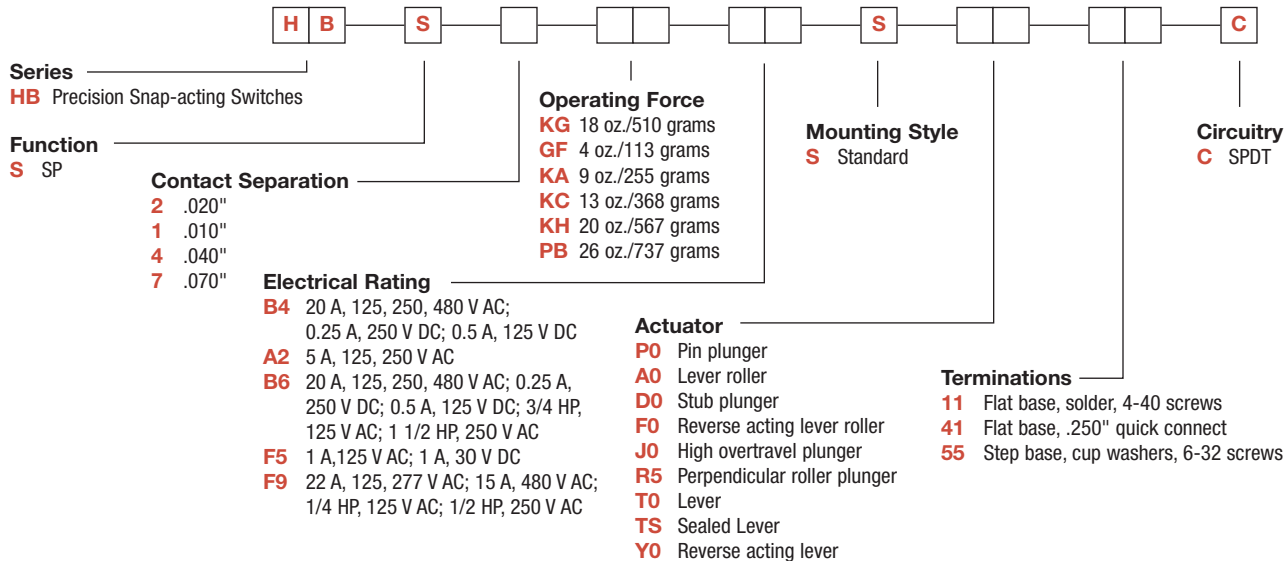
NOTE: Specifications and materials listed above are for switches with standard options. For information on specific and custom switches, consult Customer Service Center.

* Low Level=conditions where no arcing occurs during switching, i.e., 0.4 VA max. @ 20 V AC or DC max.

Snap-acting

Build-A-Switch

To order, simply select desired option from each category and place in the appropriate box. Available options are shown and described on pages J-50 thru J-54. For additional options not shown in catalog, consult Customer Service Center.



Dimensions are shown: Inches (mm)
Specifications and dimensions subject to change

HB Series Single Pole Standard Precision Snap-acting Switches

Sealed Actuator and Case

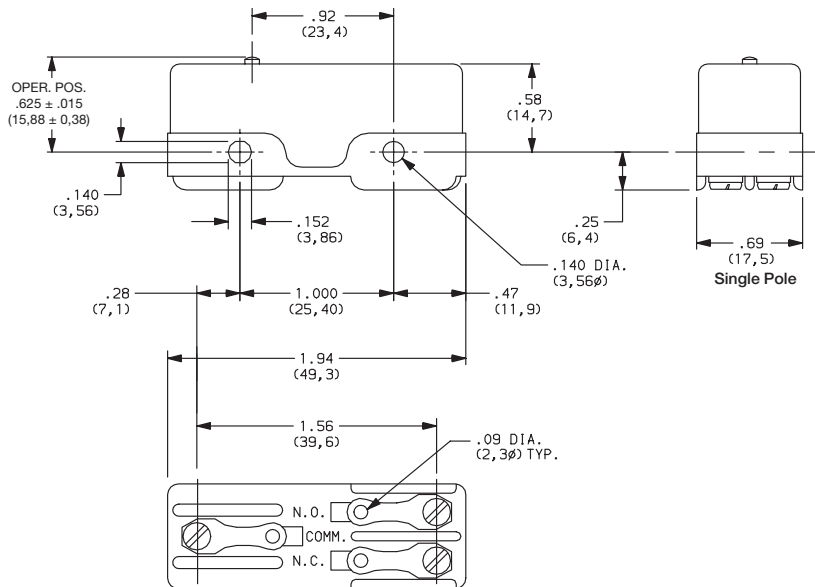
To provide reliable service under environmental conditions that might damage standard precision switches, various HB Series switch models are sealed against the entrance of airborne contaminants and/or splashing liquids. The clearance between the operating plunger and the cover is sealed with a silicone boot and the base cover joint is sealed with an epoxy adhesive. These models are designed to meet requirements of IP65 (dust proof, water splash and dew condensation). For additional information on sealed switches, consult our Customer Service Center.

SERIES

HB PRECISION SNAP-ACTING SWITCHES

FUNCTION

S SINGLE POLE SWITCH

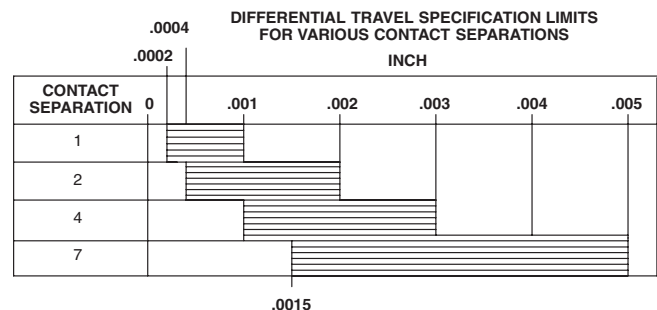


NOTE: To select switching function, see CIRCUITRY section, page J-52.

CONTACT SEPARATION

| OPTION CODE | NOMINAL CONTACT SEPARATION (in./mm) |
|-------------|-------------------------------------|
| 2 | .020 (0,51) |
| 1 | .010 (0,25) |
| 4 | .040 (1,02) |
| 7 | .070 (1,78) |

Switches with 1 AMP rating (option code 'F5') are available only with .020 contact separation (option '2').
Switches with 1/2 HP, 125 V AC rating or greater (option codes 'B5 and B6') are not available with .010 contact separation (option code '1').



Third Angle Projection

Dimensions are shown: Inch (mm)
Specifications and dimensions subject to change



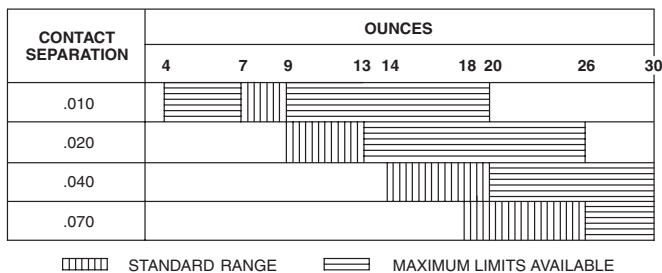
Snap-acting

HB Series Single Pole Standard Precision Snap-acting Switches

OPERATING FORCE

| OPTION CODE | MAXIMUM OPERATING FORCE (OZ./GRAMS) | STANDARD CONTACT SEPARATION (inch) |
|-------------|-------------------------------------|------------------------------------|
| KG | 18 510 | .020 |
| GF | 4 115 | .010 |
| KA | 9 255 | .010 |
| KC | 13 370 | .020 |
| KH | 20 570 | .040 |
| PB | 26 740 | .070 |

OPERATING FORCE SPECIFICATION LIMITS
FOR VARIOUS CONTACT SEPARATIONS



NOTE: All listed differential travel characteristics are based on standard operating force and contact separation. For any other force or contact separation, consult Customer Service Center.
Operating force varies with actuator option, see ACTUATOR option section.

ELECTRICAL RATING

| OPTION CODE | MOVABLE CONTACT | STATIONARY CONTACT | ELECTRICAL RATING |
|-------------|-----------------------|------------------------------------|--|
| B4 | Fine silver. | Fine silver welded to copper base. | 20 AMPS @ 125, 250 & 480 V AC; 0.25 AMPS @ 250 V DC; 0.5 AMPS @ 125 V DC (UL). |
| A2 | | | 5 AMPS @ 125 & 250 V AC (UL). |
| B6 | Precious metal alloy. | Precious metal alloy. | 20 AMPS @ 125, 250 & 480 V AC; 0.25 AMP @ 250 V DC; 0.5 AMP @ 125 V DC; 3/4 HP @ 125 V AC; 1 1/2 HP @ 250 V AC (UL). |
| F5 | Gold alloy. | Gold alloy. | Low level* to 1 AMP @ 125 V AC; 1 AMP @ 30 V DC (UL). |
| F9 | Fine silver. | Fine silver welded to copper base. | 22 AMPS @ 125 & 277 V AC; 15 AMPS @ 480 V AC; 1/4 HP @ 125 V AC; 1/2 HP @ 250 V AC; 277 V AC (UL). |

* Note: See Technical Data section of this catalog for RoHS compliant and compatible definition and specifications.

AVAILABLE COMBINATIONS

| ELECTRICAL RATING | OPERATING FORCE (oz.) | | | | | |
|-------------------|-----------------------|------|-------|-------|-------|-------|
| | 4 GF | 9 KA | 13 KC | 18 KG | 20 KH | 26 PB |
| A2 | • | • | • | • | • | • |
| B4 | x | • | • | • | • | • |
| B6 | x | x | x | • | • | • |
| F5 | x | x | • | • | • | • |
| F9 | x | x | x | • | • | • |

• AVAILABLE
x NOT AVAILABLE

All models with all options

Consult Customer Service center for availability and delivery of nonstandard ratings.

* Low Level=conditions where no arcing occurs during switching, i.e., 0.4 VA max. @ 20 V AC or DC max.



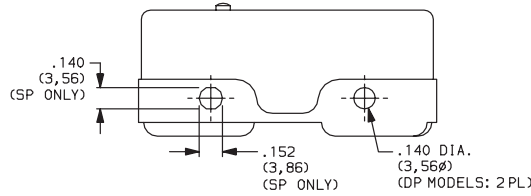
Dimensions are shown: Inches (mm)

Specifications and dimensions subject to change

HB Series Single Pole Standard Precision Snap-acting Switches

MOUNTING STYLE

S Standard



NOTE: Mounting holes will accept pins or screws of .139 dia. (3,53) max. on 1.000 ± .002 (25,4 ± 0,05) centers.

NOTE: Torque mounting screws 3 inlbs max.

ACTUATOR

| OPTION CODE | NO. POLES | FIG. | DIM. A | DIM. B | DIM. C | DIM. D |
|-------------|-----------|------|------------------|--------------------------------|----------------------|----------------|
| A0 | SP | 1 | .86 (21,8) | 1.120 ± .060 (28,45 ± 1,52) | .38 dia. (9,70) | 1.03 (26,2) |
| D0 | SP | 3 | .92 (23,4) | .844 ± .020 (21,44 ± 0,51) | — | — |
| F0 | SP | 2 | .09 (2,3) | 1.120 ± .050 (28,45 ± 1,27) | .38 dia. (9,70) | .74 (18,8) |
| J0 | SP | 4 | .86 (21,8) | .860 ± .030 (21,84 ± 0,76) | — | — |
| P0 | SP | 5 | .92 (23,4) | .625 ± .010 (15,88 ± 0,25) | — | — |
| R5 | SP | 6 | .92 (23,4) | .62 (15,7) | .50 dia. (12,70) | 0.61 (15,5) |
| T0 | SP | 7 | 1.310 (33,27) | .720 ± .060 (18,28 ± 1,52) | 1.03 dia. (26,20) | — |
| TS* | SP | 7 | 1.47 (37,3) | .720 ± .060 (18,28 ± 1,52) | 1.03 dia. (26,20) | — |
| Y0 | SP | 8 | .05 (1,3) | .720 ± .030 (18,29 ± 0,76) | .74 dia. (18,80) | 2.65 (6,73) |

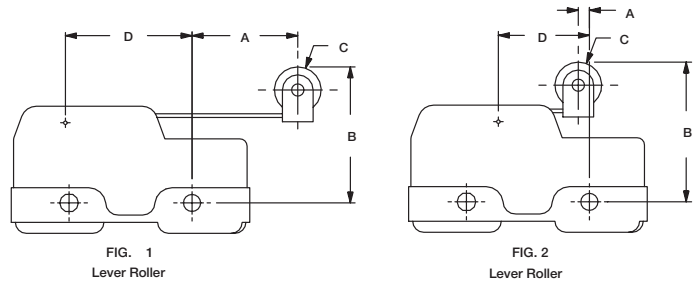


FIG. 1
Lever Roller

FIG. 2
Lever Roller

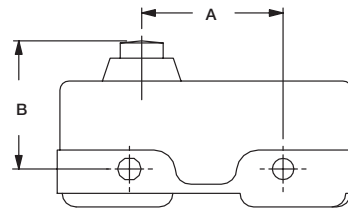


FIG. 3
Stub Plunger

* Actuators sealed against the entrance of airborne contaminants and/or splashing liquids.

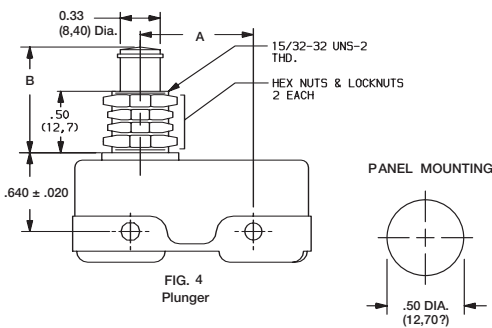


FIG. 4
Plunger

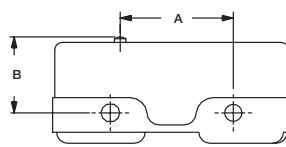


FIG. 5
Pin Plunger

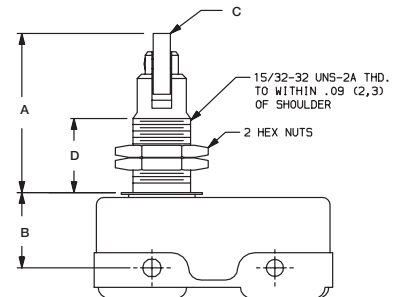


FIG. 6
Perpendicular Roller Plunger

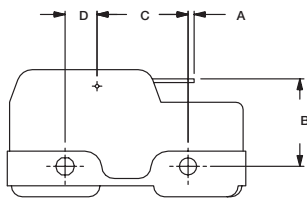


FIG. 8
Reverse Acting Lever

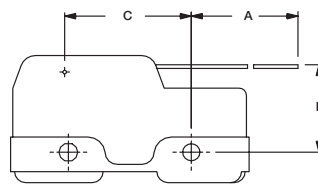


FIG. 7
Lever



Third Angle
Projection

Dimensions are shown: Inch (mm)
Specifications and dimensions subject to change



HB Series Single Pole Standard Precision Snap-acting Switches

ACTUATOR

| | OPTION CODE | ACTUATOR | | | | | | | | * SEALED ACTUATOR |
|-------------------------------------|-------------|------------|------------|-----------|-----------|-----------|-----------|------------|-----------|-------------------|
| | | A0 | D0 | F0 | J0 | P0 | R5 | T0 | Y0 | TS |
| MAXIMUM OPERATING FORCE (OZ./GRAMS) | GF | — | — | — | — | 4 115 | — | — | — | — |
| | KA | 3 85 | 9.5 269 | 10 284 | 10 284 | 9 255 | 10 284 | 2 60 | 10 284 | 2 56 |
| | KC | — | 13 370 | 10 284 | 13 370 | 13 370 | 13 370 | — | 10 284 | — |
| | KG | 3.5 100 | — | — | — | 18 510 | — | 2.5 71 | — | 2.5 71 |
| | KH | 4 115 | 20 570 | 20 570 | 20 570 | 20 570 | 20 570 | 3 85 | 20 570 | 3 85 |
| | PB | 4.5 130 | 26 740 | 20 570 | 26 740 | 26 740 | 26 740 | 3.5 100 | 20 570 | 3.5 100 |
| MINIMUM RELEASE FORCE (OZ./GRAMS) | GF | — | — | — | — | 1 28 | — | — | — | — |
| | KA | .75 21 | 4 110 | 3 85 | 4 110 | 4 110 | 4 110 | .5 14 | 3 85 | .5 14 |
| | KC | 1.7 48 | 4 110 | 3 85 | 4 110 | 4 110 | 4 110 | — | 3 85 | — |
| | KG | .75 21 | — | — | — | 4 110 | — | .5 14 | — | .5 14 |
| | KH | .75 21 | 4 110 | 3 85 | 4 110 | 4 110 | 4 110 | .5 14 | 3 85 | .5 14 |
| | PB | .75 21 | 4 110 | 3 85 | 4 110 | 4 110 | 4 110 | .5 14 | 3 85 | .5 14 |

NOTE: For basic switch operating forces, see page J-51. * Actuators sealed against the entrance of airborne contaminants and/or splashing liquids.

| | OPTION CODE | ACTUATOR | | | | | | | | * SEALED ACTUATOR |
|-------------------------------------|-------------|----------------|------------------|----------------|----------------|------------------|----------------|----------------|----------------|-------------------|
| | | A0 | D0 | F0 | J0 | P0 | R5 | T0 | Y0 | TS |
| MAXIMUM DIFFERENTIAL TRAVEL (IN/MM) | GF | — | — | — | — | .0005 (0,013) | — | — | — | — |
| | KA | .020 (0,51) | .0005 (0,013) | .005 (0,13) | — | .0005 (0,013) | — | .047 (1,19) | .005 (0,13) | .047 (1,19) |
| | KC | — | .002 (0,05) | .008 (0,20) | — | .002 (0,05) | — | — | .009 (0,23) | — |
| | KG | .062 (1,57) | — | — | — | .003 (0,08) | — | .078 (1,98) | — | .078 (1,98) |
| | KH | .080 (2,03) | .003 (0,76) | .020 (0,51) | — | .003 (0,08) | — | .093 (2,36) | .020 (0,51) | .093 (2,36) |
| | PB | .125 (3,18) | .007 (0,18) | .030 (0,76) | — | .005 (0,13) | — | .156 (3,96) | .031 (0,79) | .156 (3,96) |
| MAXIMUM PRETRAVEL (IN/MM) | GF | — | — | — | — | .020 (0,51) | — | — | — | — |
| | KA | .312 (7,92) | .020 (0,51) | 0.8 (2,0) | .015 (0,38) | .015 (0,38) | .015 (0,38) | .38 (9,7) | .09 (2,3) | .38 (9,7) |
| | KC | — | .020 (0,51) | 0.8 (2,0) | .020 (0,51) | .020 (0,51) | .020 (0,51) | — | .09 (2,3) | — |
| | KG | .312 (7,92) | — | — | — | .025 (0,64) | — | .38 (9,7) | — | .38 (9,7) |
| | KH | .38 (9,7) | .025 (0,64) | 0.9 (2,3) | .025 (0,64) | .025 (0,64) | .025 (0,64) | .38 (9,7) | 0.9 (2,3) | .38 (9,7) |
| | PB | .38 (9,7) | .030 (0,76) | 0.9 (2,3) | .030 (0,76) | .030 (0,76) | .030 (0,76) | .38 (9,7) | 0.9 (2,3) | .38 (9,7) |
| MINIMUM OVERTRAVEL (IN/MM) | GF | — | — | — | — | .005 (0,13) | — | — | — | — |
| | KA | .156 (3,96) | .055 (1,40) | .06 (1,5) | .22 (5,6) | .005 (0,13) | .141 (3,58) | .19 (4,8) | .06 (1,5) | .19 (4,8) |
| | KC | — | .055 (1,40) | 0.9 (2,3) | .22 (5,6) | .005 (0,13) | .141 (3,58) | — | 0.9 (2,3) | — |
| | KG | .156 (3,96) | — | — | — | .005 (0,13) | — | .19 (4,8) | — | .19 (4,8) |
| | KH | .156 (3,96) | .055 (1,40) | 0.9 (2,3) | .22 (5,6) | .005 (0,13) | .141 (3,58) | .19 (4,8) | 0.9 (2,3) | .19 (4,8) |
| | PB | .156 (3,96) | .055 (1,40) | 0.9 (2,3) | .22 (5,6) | .005 (0,13) | .141 (3,58) | .19 (4,8) | 0.9 (2,3) | .19 (4,8) |



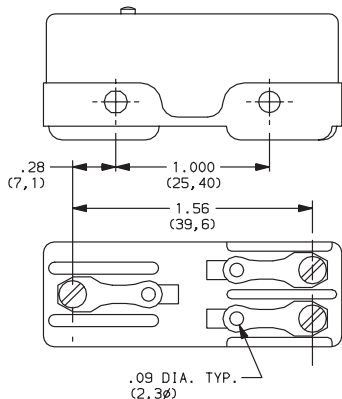
Dimensions are shown: Inches (mm)
Specifications and dimensions subject to change



HB Series Single Pole Standard Precision Snap-acting Switches

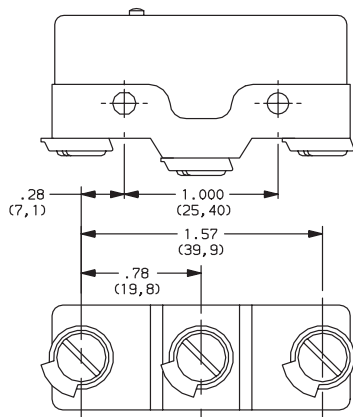
TERMINATIONS

11 FLAT BASE, SOLDER TERMINALS AND 4-40 SCREWS



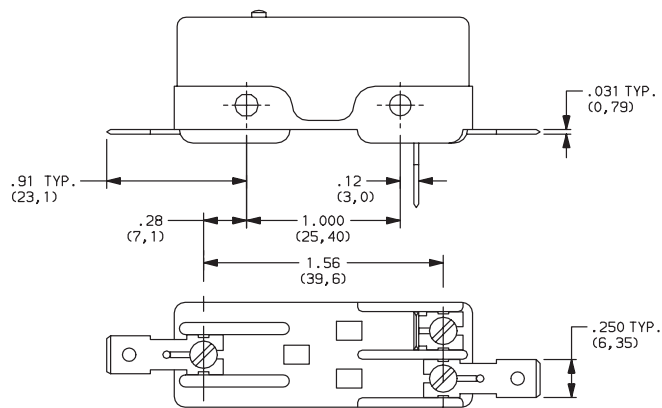
NOTE: Switches with flat base option have molded ribs that provide increased creep distance.

55 STEP BASE, 6-32 SCREWS AND CUP WASHERS



NOTE: Switches with step base option provide wide electrical clearance for screw terminal options.

41 FLAT BASE, .250" QUICK CONNECT TERMINALS



Snap-acting

CIRCUITRY

C DT (Double Throw, Normally Closed & Normally Open)



Third Angle Projection

Dimensions are shown: Inch (mm)
Specifications and dimensions subject to change