

User's Manual

TX91501 – 915 MHz Powercaster™ Transmitter



PRODUCT DESCRIPTION

The Powercast TX91501 Powercaster transmitter is specially designed to provide both power and data to end devices containing the Powercast P2110 or P1110 Powerharvester® receivers. The TX91501 is housed in a durable plastic case with several mounting options. Operational power is provided to either of the two DC power connectors at 5V DC. The TX91501 includes a status LED to provide feedback on functional state. The TX91501 has a factory set, fixed power output and no user-adjustable settings. The label indicates the effective power for which the device is configured, with 3 watts EIRP being the maximum. Once properly mounted, transmission is initiated by applying power to the TX91501.



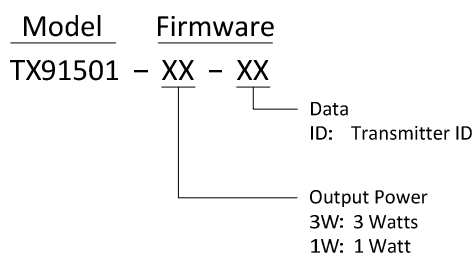
FEATURES

- FCC and IC approved
- Flexible wall mounting options
- Fully integrated system
- Transmits power and data
- Factory configurable for custom applications
- Wide temperature range
- RoHS compliant

POWERING APPLICATIONS

- Wireless battery charging
- Battery-free wireless sensors
 - Industrial Monitoring
 - Smart Grid
 - Structural Health Monitoring
 - Defense
 - Building automation
 - Agriculture
 - Oil & Gas
 - Location-aware services
- Wireless trigger
- Low power electronics

ORDERING OPTIONS



PRODUCT CONTENTS

The following items are included inside the package:

| Qty | Description |
|-----|---|
| 1 | 915 MHz transmitter |
| 1 | Power supply |
| 1 | US plug for Power supply (must be snapped in to the Power supply) |
| 1 | Quick Start instruction card |

Powercast®, Lifetime Power®, Powerharvester®, and Powercaster™ are registered trademarks of Powercast Corporation. All other trademarks are the property of their respective owners.

User's Manual

TX91501 – 915 MHz Powercaster™ Transmitter



SET-UP AND OPERATION

1. Wall-mount the TX91501 in the desired location with the Powercast logo and status LED facing the direction in which the energy is desired. For permanent installations, mount the TX91501 eight feet or more above floor level.
2. Plug the DC connector of the power supply into one of the two available connectors on the TX91501. Plug the power supply into a 120V outlet.
3. When the green LED illuminates, the TX91501 is active and transmitting radio frequency (RF) energy. Data is automatically included in the transmission and can be received by one of Powercast's Powerharvester Modules.

The status LED indicates the following operating conditions:

| LED | Status | Description |
|------------------|--------|--|
| Off | Off | 5VDC is not applied |
| Green | Active | Transmitting normally |
| Red ¹ | Fault | Transmission stopped due to an obstruction in close proximity ² |

¹ During fault status, the LED will momentarily blink about once per second until the obstruction is removed.

² If operating on a flat surface for testing purposes, such as a table, it is recommended that the TX91501 is elevated off the surface with a non-conducting material, such as foam or a cardboard box, OR the TX91501 is positioned near the edge for unobstructed transmission.

SPECIFICATIONS

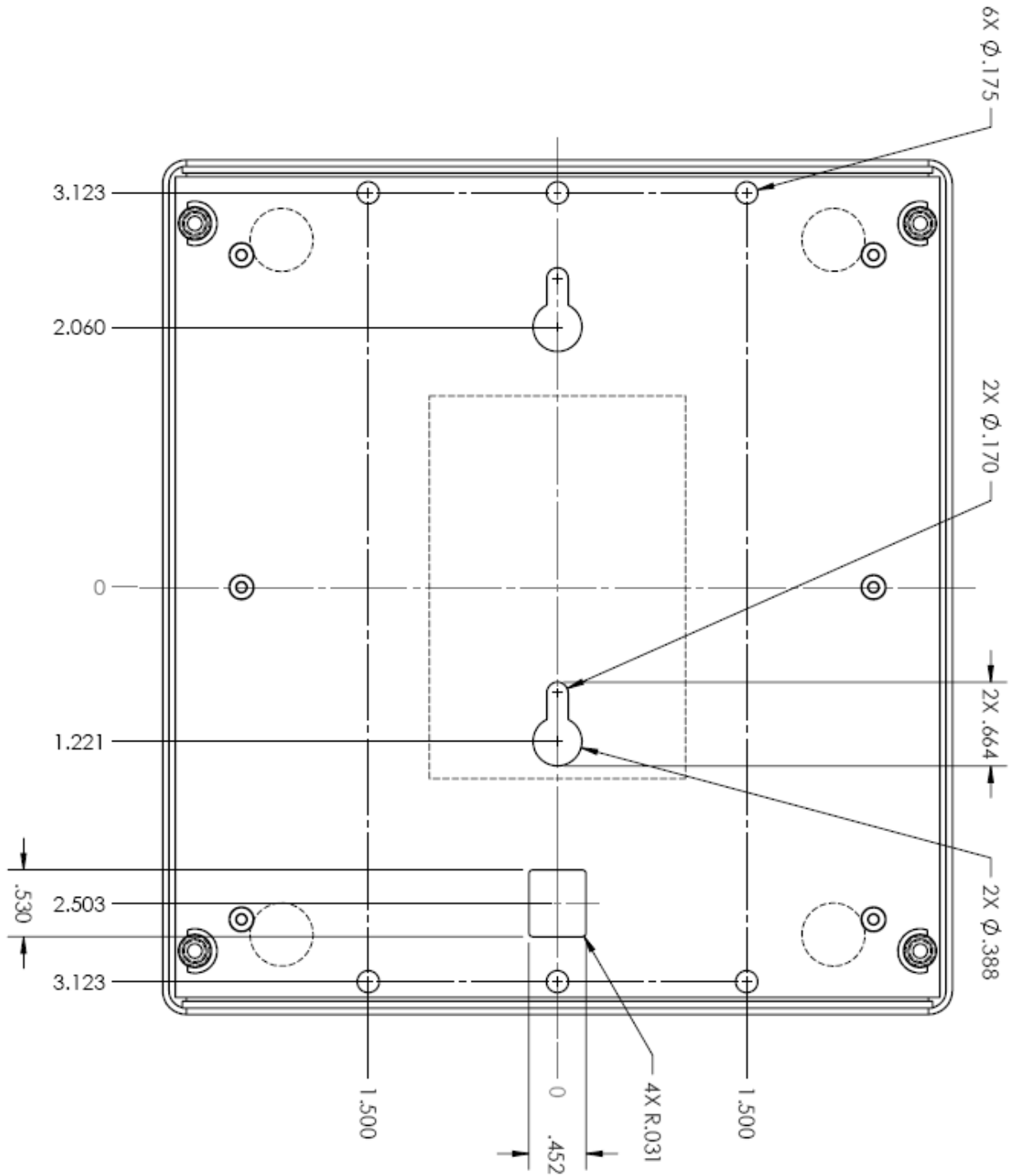
| Item | Description |
|---------------------------------------|---|
| Modulation | Power: Direct Sequence Spread Spectrum (DSSS) Data: Amplitude Shift Keying (ASK) |
| Frequency | 915 MHz Center Frequency |
| Power output (not user adjustable) | TX91501-3W-XX: 3 watts EIRP TX91501-1W-XX: 1 watt EIRP |
| Beam pattern | 60° width, 60° height Vertical Polarization (with logo in upright position) |
| Approvals | FCC Part 15.247 Industry Canada |
| Firmware Version | Located on the TX91501 label |
| Data Communications | An 8-bit, factory-set, TX91501 identification (ID) number is broadcast with random intervals up to 10ms using Amplitude Shift Keying (ASK) modulation. The ID number can be found on the TX91501 label. |
| Operating Temperature | -20°C to 50°C |
| Installation Environment | Indoor use only |
| Mounting | 6 bracket mounting holes (See mechanical drawing for dimensions) 2 keyholes (See mechanical drawing for dimensions) |
| Power | 5VDC/1A through included Power Supply |
| Color | Black |
| Dimensions | 6.75" x 6.25" x 1.63" (171.45 x 158.75 x 41.4 mm) |
| Weight | 1 lb |
| Warranty | 1 year |

User's Manual

TX91501 – 915 MHz Powercaster™ Transmitter



MECHANICAL (REAR VIEW)



*Dimensions in inches

User's Manual

TX91501 – 915 MHz Powercaster™ Transmitter



ACCESSORIES

The power supply included with the TX91501 supports interchangeable wall plugs. The power supply ships with the US AC input clip.

Power supply: PSAC05R-050(P)

| | | | | |
|-----------------|--------|-----|-----------|-----|
| AC Input Clips: | US | RPA | India | RPI |
| | Brazil | RPB | UK | RPK |
| | China | RPC | Argentina | RPN |
| | Europe | RPE | Australia | RPS |
| | Korea | RPH | | |

Datasheet: <http://www.phihong.com/assets/pdf/PSAC05R.pdf>

Mounting Brackets: <http://www.polycase.com/category/nema-mounting-flange-kit.html>
or equivalent

SUPPORT

Technical support for Powercast products can be initiated through the following methods:

Website contact form: <http://www.powercastco.com/contact/>

Telephone: +1 724-238-3700

User's Manual

TX91501 – 915 MHz Powercaster™ Transmitter



COMPLIANCE STATEMENTS

This device is intended for commercial and industrial applications.

Changes or modifications not expressly approved by Powercast could void the user's authority to operate the equipment. Use and maintain device only as specified in this manual.

All end devices marketed for use with this transmitter must properly receive and extract data from this device.

This equipment has been tested and found to comply with the limits for a Class B digital device, pursuant to Part 15 of the FCC Rules. These limits are designed to provide reasonable protection against harmful interference in a residential installation. This equipment generates, uses, and can radiate radio frequency energy and, if not installed and used in accordance with the instructions, may cause harmful interference to radio communications. However, there is no guarantee that interference will not occur in a particular installation. If this equipment does cause harmful interference to radio or television reception, which can be determined by turning the equipment off and on, the user is encouraged to try to correct the interference by one of the following measures:

- Reorient or relocate the receiving antenna.
- Increase the separation between the equipment and receiver.
- Connect the equipment into an outlet on a circuit different from that to which the receiver is connected.
- Consult the dealer or an experienced radio/TV technician for help.

WARNING!

FCC and IC Radiation Exposure Statement:

This equipment complies with FCC's and IC's RF radiation exposure limits set forth for an uncontrolled environment under the following conditions:

1. This equipment should be installed and operated such that a minimum separation distance of 23cm is maintained between the radiator (antenna) & user's/nearby person's body at all times.
2. This transmitter must not be co-located or operating in conjunction with any other antenna or transmitter.

IMPORTANT NOTICE

Information furnished by Powercast Corporation (Powercast) is believed to be accurate and reliable. No license, express or implied, to any intellectual property rights is granted by this document. No responsibility is assumed by Powercast for its use, nor for any infringements of patents or other rights of third parties that may result from its use. Powercast assumes no liability for misuse of this product. Specifications are subject to change without notice.

No license is granted by implication or otherwise under any patent or patent rights of Powercast. Trademarks and registered trademarks are the property of their respective owners.

POWERCAST PRODUCTS (INCLUDING HARDWARE AND/OR SOFTWARE) ARE NOT DESIGNED OR INTENDED TO BE FAIL-SAFE, FAULT TOLERANT OR FOR USE IN ANY APPLICATION THAT COULD LEAD TO DEATH, PERSONAL INJURY OR SEVERE PROPERTY OR ENVIRONMENTAL DAMAGE (INDIVIDUALLY AND COLLECTIVELY, "CRITICAL APPLICATIONS"), SUCH AS LIFE-SUPPORT OR SAFETY DEVICES OR SYSTEMS, CLASS III MEDICAL DEVICES, NUCLEAR FACILITIES, APPLICATIONS THAT AFFECT CONTROL OF A VEHICLE OR AIRCRAFT, APPLICATIONS RELATED TO THE DEPLOYMENT OF AIRBAGS, OR ANY OTHER CRITICAL APPLICATIONS. CUSTOMER AGREES, PRIOR TO USING OR DISTRIBUTING ANY SYSTEMS THAT INCORPORATE POWERCAST PRODUCTS, TO THOROUGHLY TEST THE SAME FOR SAFETY PURPOSES. CUSTOMER ASSUMES THE SOLE RISK AND LIABILITY OF ANY USE OF POWERCAST PRODUCTS IN CRITICAL APPLICATIONS, SUBJECT ONLY TO APPLICABLE LAWS AND REGULATIONS GOVERNING LIMITATIONS ON PRODUCT LIABILITY.

WARRANTY

THIS LIMITED WARRANTY applies solely to standard transmitters manufactured by or on behalf of Powercast. Subject to the limitations herein, Powercast warrants that transmitters, when delivered by Powercast or its authorized distributor, for one (1) year following the delivery date, will be free from defects in material and workmanship and will substantially conform to Powercast publicly available specifications for such products in effect at the time of delivery. This limited warranty excludes: (i) engineering samples (which are provided “AS-IS” without warranty); (ii) bare circuit boards (iii) development products (such as boards and cables); (iv) design defects or errors known as “errata”; (v) transmitters procured through unauthorized third parties; and (vi) transmitters that have been subject to misuse, mishandling, accident, alteration, neglect, unauthorized repair or installation. Furthermore, this limited warranty shall not apply to the use of covered products in an application or environment that is not within Powercast specifications or in the event of any act, error, neglect or default of Customer. If such Powercast products fail to conform to the warranty above, the exclusive remedy of Customer and the sole liability of Powercast shall be, at the option of Powercast, to replace or repair the affected products, or to refund to Customer the price of the affected products. The availability of replacement products is subject to product discontinuance policies at Powercast. Customer may not return products without first obtaining a customer return material authorization (RMA) number from Powercast. THE WARRANTIES SET FORTH HEREIN ARE EXCLUSIVE AND IN LIEU OF ALL OTHER WARRANTIES, REMEDIES AND CONDITIONS, WHETHER ORAL OR WRITTEN, EXPRESS OR IMPLIED. POWERCAST DISCLAIMS ALL OTHER WARRANTIES, WHETHER EXPRESS, IMPLIED OR STATUTORY, INCLUDING, WITHOUT LIMITATION, ANY WARRANTY OF MERCHANTABILITY, FITNESS FOR A PARTICULAR PURPOSE, OR NON-INFRINGEMENT, AND ANY WARRANTY THAT MAY ARISE FROM COURSE OF DEALING, COURSE OF PERFORMANCE, OR USAGE OF TRADE. IF POWERCAST CANNOT LAWFULLY DISCLAIM IMPLIED WARRANTIES UNDER THIS LIMITED PRODUCT WARRANTY, ALL SUCH IMPLIED WARRANTIES, INCLUDING WARRANTIES OF MERCHANTABILITY AND FITNESS FOR A PARTICULAR PURPOSE, ARE LIMITED IN DURATION TO THE WARRANTY PERIOD (AS DEFINED ABOVE). YOUR SOLE REMEDY WITH RESPECT TO ANY BREACH OF THE LIMITED PRODUCT WARRANTY SHALL BE THE REPAIR OR REPLACEMENT OF THE DEVICE AS SPECIFIED IN THE LIMITED PRODUCT WARRANTY. POWERCAST IS NOT RESPONSIBLE FOR DIRECT, SPECIAL, INCIDENTAL, OR CONSEQUENTIAL DAMAGES RESULTING FROM ANY BREACH OF WARRANTY OR UNDER ANY OTHER LEGAL THEORY INCLUDING, BUT NOT LIMITED TO, LOST PROFITS, DOWNTIME, GOODWILL, DAMAGE TO OR REPLACEMENT OF EQUIPMENT AND PROPERTY, AND ANY COSTS OF RECOVERING, REPROGRAMMING, OR REPRODUCING ANY PROGRAM OR DATA STORED IN OR USED WITH A SYSTEM CONTAINING POWERCAST TRANSMITTERS. Some states do not allow the exclusion or limitation of incidental or consequential damages or exclusions or limitations on the duration of implied warranties or conditions, so the above limitations or exclusions may not apply to you. This limited product warranty gives you specific legal rights, and you may also have other legal rights which vary from state to state.

Mouser Electronics

Authorized Distributor

Click to View Pricing, Inventory, Delivery & Lifecycle Information:

Powercast:

[TX91501-3W-ID](#) [TX91501-1W-ID](#)