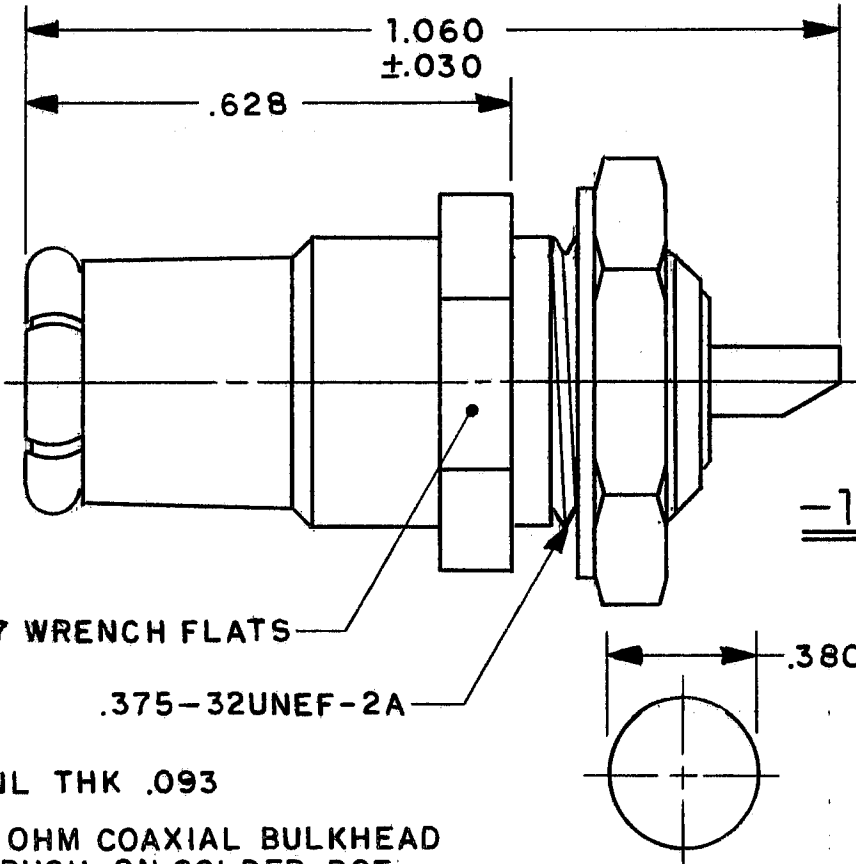


DATA CONTAINED IN THIS DOCUMENT IS PROPRIETARY TO TROMPETER ELECTRONICS INC. AND SHALL NOT BE DISCLOSED, COPIED OR USED FOR PROCUREMENT OR MANUFACTURE WITHOUT EXPRESS WRITTEN PERMISSION.

DASH NO	MODEL NO	IMPD OHMS
-1	PL121	50
-2	UPL121	75

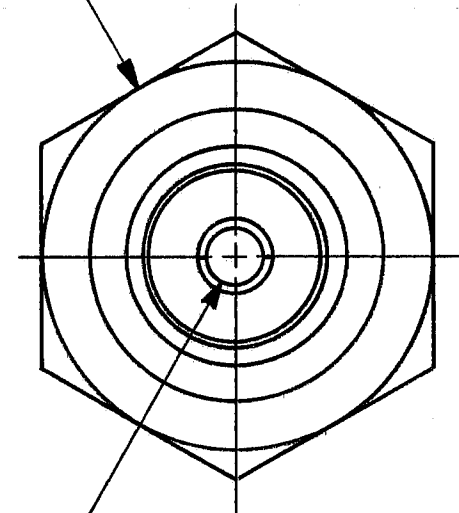
INCH	MM
.005	0.13
.030	0.76
.068	1.73
.093	2.36
.380	9.65
.437	11.10
.500	12.70
.628	15.95
1.060	26.92



4. MAX PNL THK .093
3. 50 & 75 OHM COAXIAL BULKHEAD MOUNT PUSH-ON SOLDER POT PLUG, BNC INTERFACE
2. FINISH: TFS-1A (NICKEL)
1. ALL DIM ARE IN INCHES

REVISIONS			105-0414		SH 1
REV	EO	DESCRIPTION	DWN	APPROVED	DATE
C	6533	REV & REDWN	RJS	<i>DC</i>	9-14-84
D	6747	'D' FLAT DELETED	MRH	<i>MRH</i>	4-25-85
E	7899	ITEM 2 P/N WAS 8000-1295 ①, DWG NO WAS 1005-0414	DKC	<i>F3, BM, JH</i>	1-26-88

.500 HEX NUT



SOLDER POT ACCEPTS .068 DIA CONDUCTOR

**RECOMMENDED
PANEL CUTOUT
SCALE: 2/1**

QTY	DESCRIPTION		PART NUMBER	ITEM		
	TOL UNLESS SPECIFIED .XX ± .XXX ± .005 .XXXX ± ANGLES ±		TROMPETER ELECTRONICS, INC.	PL121/UPL121		
DWN	RJS	9-3-84			MATERIAL	CODE IDENT
CHK	<i>DC</i>	9-10-84	—	14949	105-0414	E
ENGR	<i>DM</i>	9-14-84				
APPR	<i>DC</i>	9-14-84	SCALE 4/1	DATE 1-15-74	SHEET 1 OF 2	

NEXT ASSY