

# AZ DISPLAYS, INC.

---

*COMPLETE LCD SOLUTIONS*

## **SPECIFICATIONS FOR LIQUID CRYSTAL DISPLAY**

PART NUMBER:

ACM 1601C SERIES

DATE:

August 9, 1999

# ACM1601C SERIES LCD MODULE

## 1.0 MECHANICAL SPECS

1. Overall Module Size	80.0mm(W) x 36.0mm(H) x max 9.5mm(D) for LED backlight version 80.0mm(W) x 36.0mm(H) x max 13.5mm(D) for reflective version
2. Dot Size	0.55mm(W) x 0.75mm(H)
3. Dot Pitch	0.63mm(W) x 0.83mm(H)
4. Duty	1/16
5. Controller IC	KS0066
6. LC Fluid Options	TN, STN
7. Polarizer Options	Reflective
8. Backlight Options	LED
9. Temperature Range Options	Standard ( 0°C ~ 50°C),Wide(-20°C ~ 70°C)

## 2.0 ABSOLUTE MAXIMUM RATINGS

Item	Symbol	Min	Typ	Max	Unit
Operating temperature (Standard)	Top	0	-	50	°C
Storage temperature (Standard)	Tst	-10	-	60	°C
Operating temperature (Wide temperature)	Top	-20	-	70	°C
Storage temperature (Wide temperature)	Tst	-30	-	80	°C
Input voltage	Vin	Vss		Vdd	V
Supply voltage for logic	Vdd- Vss	2.7	-	5.5	V
Supply voltage for LCD drive	Vdd- Vo	3.0	4.6	6.5	V

# ACM1601C SERIES LCD MODULE

## 3.0 ELECTRICAL CHARACTERISTICS

Item	Symbol	Condition	Min	Typ	Max	Unit
Input voltage (high)	V <sub>ih</sub>	H level	2.2	-	V <sub>dd</sub>	V
Input voltage (low)	V <sub>il</sub>	L level	0	-	0.6	V
Recommended LC Driving Voltage (Standard Temp)	V <sub>dd</sub> - V <sub>o</sub>	0°C	-	4.8	5.4	V
		25°C	4.2	4.6	-	
		50°C	3.9	4.3	-	
Recommended LC Driving Voltage (Wide Temp)	V <sub>dd</sub> - V <sub>o</sub>	-20°C	-	6.4	7.2	V
		0°C	-	4.8	-	
		50°C	-	4.3	-	
		70°C	3.6	4.1	-	
Power Supply Current	I <sub>dd</sub>	V <sub>dd</sub> =5.0V, f <sub>osc</sub> =270kHz	-	0.5	1.0	mA
LED Power Supply Voltage	V <sub>fled</sub>	R=6.8Ω	-	4.6	5.0	V
LED Power Supply Current	I <sub>fled</sub>	R=6.8Ω	-	110	275	mA

## 4.0 OPTICAL CHARACTERISTICS (T<sub>a</sub>=25°C, V<sub>dd</sub>= 5.0V±0.25V, TN LC fluid)

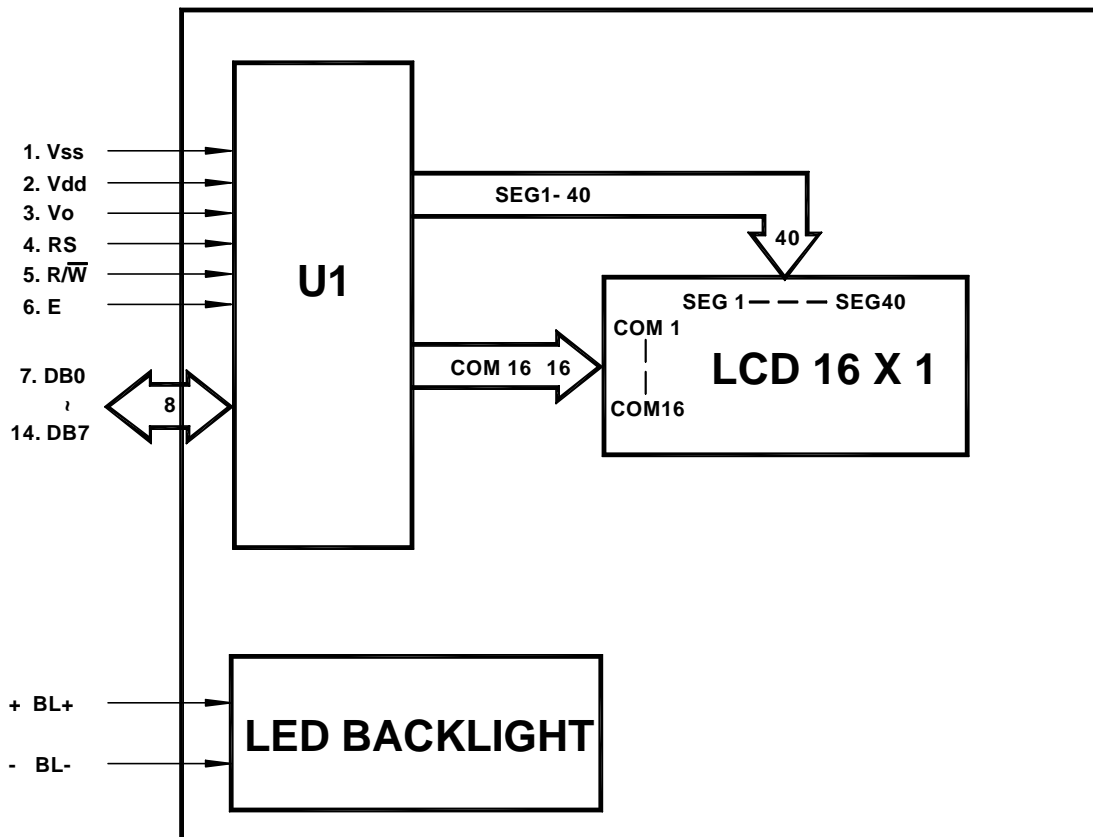
Item	Symbol	Condition	Min	Typ	Max	Unit
Viewing angle (horizontal)	θ	Cr ≥ 4.0	-25	-	-	deg
Viewing angle (vertical)	φ	Cr ≥ 4.0	-30	-	30	deg
Contrast Ratio	Cr	φ=0°, θ=0°	-	2	-	
Response time (rise)	T <sub>r</sub>	φ=0°, θ=0°	-	120	150	ms
Response time (fall)	T <sub>f</sub>	φ=0°, θ=0°	-	120	150	ms

# ACM1601C SERIES LCD MODULE

## 4.1 OPTICAL CHARACTERISTICS (Ta=25°C, Vdd= 5.0V±0.25V, STN LC fluid)

Item	Symbol	Condition	Min	Typ	Max	Unit
Viewing angle (horizontal)	$\theta$	$Cr \geq 2.0$	-60	-	35	deg
Viewing angle (vertical)	$\phi$	$Cr \geq 2.0$	-40	-	40	deg
Contrast Ratio	Cr	$\phi=0^\circ, \theta=0^\circ$	-	6	-	
Response time (rise)	Tr	$\phi=0^\circ, \theta=0^\circ$	-	150	250	ms
Response time (fall)	Tf	$\phi=0^\circ, \theta=0^\circ$	-	150	250	ms

## 5.0 BLOCK DIAGRAM

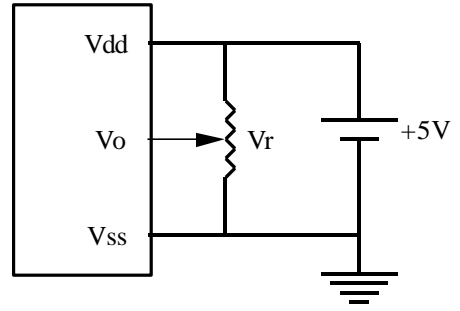


# ACM1601C SERIES LCD MODULE

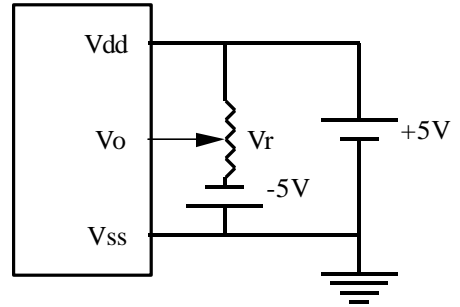
## 6.0 PIN ASSIGNMENT

Pin No.	Symbol	Function
1	Vss	Ground
2	Vdd	+5V
3	Vo	LCD contrast adjust
4	RS	Register select
5	R/W	Read / write
6	E	Enable
7	DB0	Data bit 0
8	DB1	Data bit 1
9	DB2	Data bit 2
10	DB3	Data bit 3
11	DB4	Data bit 4
12	DB5	Data bit 5
13	DB6	Data bit 6
14	DB7	Data bit 7
+	BL+	Power Supply for BL+
-	BL-	Power Supply for BL-

## 7.0 POWER SUPPLY



STANDARD TEMP RANGE



WIDE TEMP RANGE

$$V_r = 10K\Omega \sim 20K\Omega$$

## 8.0 TIMING CHARACTERISTICS

Item	Symbol	Test Condition	Min.	Typ.	Max.	Unit
Enable cycle time	$t_c$	Fig. a, Fig. b	500	-	-	ns
Enable pulse width	$t_w$	Fig. a, Fig. b	220	-	-	ns
Enable rise/fall time	$t_r, t_f$	Fig. a, Fig. b	-	-	25	ns
RS, R/W set up time	$t_{su}$	Fig. a, Fig. b	40	-	-	ns
RS, R/W hold time	$t_h$	Fig. a, Fig. b	10	-	-	ns
Data delay time	$t_d$	Fig. b	-	-	120	ns
Data set up time	$t_{dsu}$	Fig. a	60	-	-	ns
Data hold time	$t_{dh}$	Fig. a, Fig. b	20	-	-	ns

# ACM1601C SERIES LCD MODULE

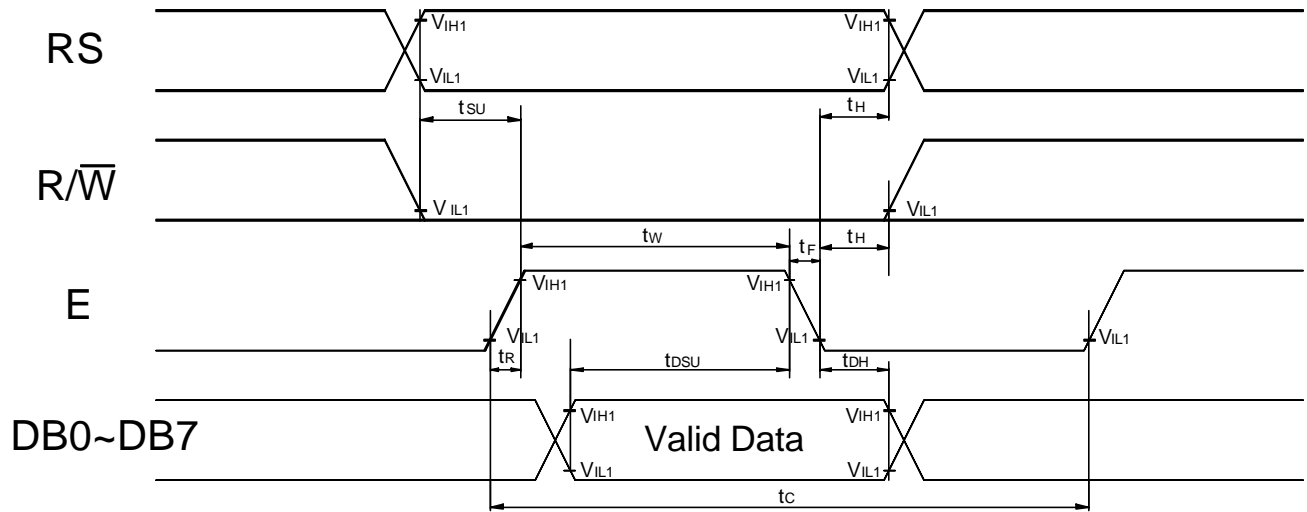


Fig. a Interface timing (data write)

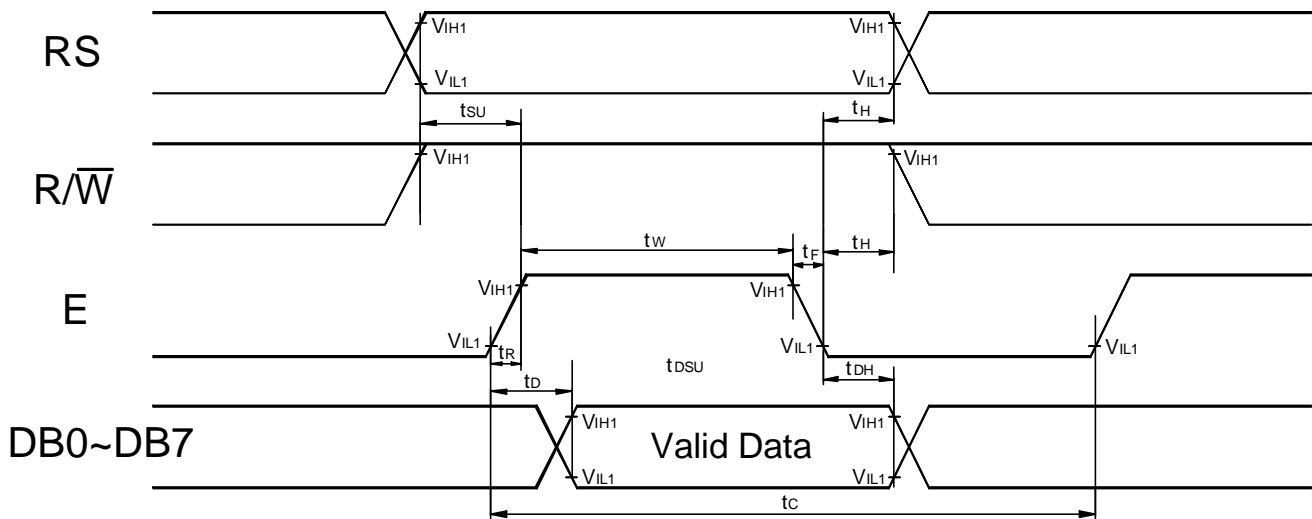
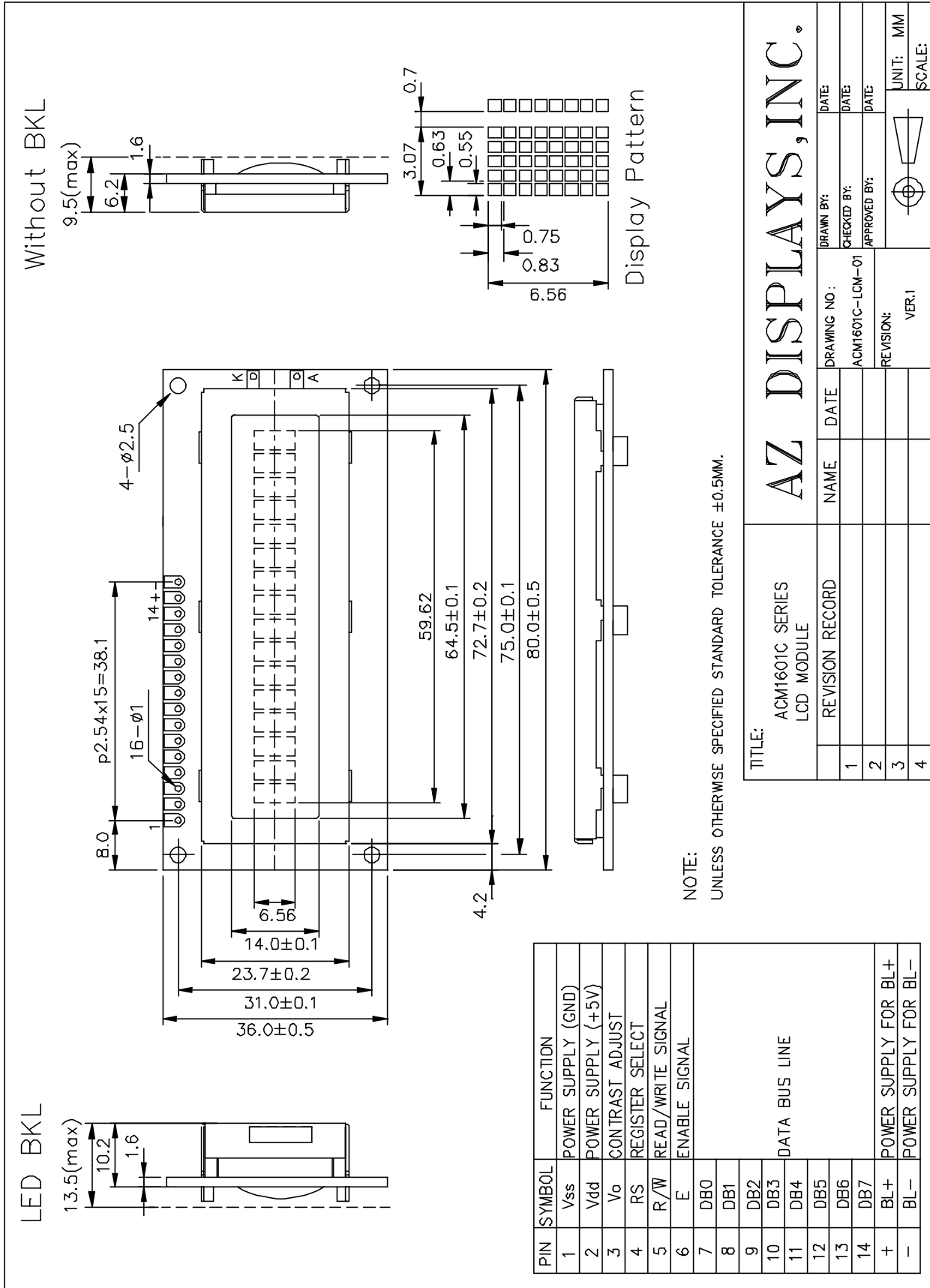


Fig. b Interface timing (data read)

# ACM1601C SERIES LCD MODULE

## 9.0 MECHANICAL DIAGRAM



# ACM1601C SERIES LCD MODULE

## 10.0 RELIABILITY TEST

Storage Condition	Content	Evaluations and Assessment*			
		Current Consumption	Oozing	Contrast	Other Appearances
Operation at high temperature and humidity	40° C, 90% RH, 240hrs	Twice initial value or less	none	More than 80% of initial value	No abnormality
High temperature storage	60° C, 240hrs	Twice initial value or less	none	More than 80% of initial value	No abnormality
Low temperature storage	-20° C, 240hrs	Twice initial value or less		More than 80% of initial value	No abnormality

\*Evaluations and assessment to be made two hours after returning to room temperature (25° C±5° C).

\*The LCDs subjected to the test must not have dew condensation.



# ACM1601C SERIES LCD MODULE

## 11.0 DISPLAY INSTRUCTION TABLE

COMMAND	R S	R/ W	DB 7	DB 6	DB 5	DB 4	DB 3	DB 2	DB 1	DB 0	DESCRIPTION	Executing time fosc=250khz
Clear Display	0	0	0	0	0	0	0	0	0	1	Clears Display & Returns to Address 0.	1.64ms
Cursor at Home	0	0	0	0	0	0	0	0	1	x	Returns Cursor to Address 0. Also returns the display being shifted to the original position. DDRAM contents remain unchanged.	1.64ms
Entry Mode Set	0	0	0	0	0	0	0	1	I/D	S	I/D: Set Cursor Moving Direction I/D=1: Increment I/D=0: Decrement  S: Specify Shift of Display S=1: The display is shifted S=0: The display is not shifted	40µs
Display ON/OFF Control	0	0	0	0	0	0	1	D	C	B	Display D=1: Display on D=0: Display off Cursor C=1: Cursor on C=0: Cursor off Brink B=1: Brink on B=0: Brink off	40µs
Cursor / Display Shift	0	0	0	0	0	1	S/C	R/L	x	x	Moves cursor or shifts the display w/o changing DD RAM contents S/C=0: Cursor Shift (RAM unchanged) S/C=1: Display Shift (RAM unchanged) R/L=1: Shift to the Right R/L=0: Shift to the Left	40µs
Function Set	0	0	0	0	1	DL	N	F	x	x	Sets data bus length (DL), # of display lines (N), and character fonts (F). DL=1: 8 bits F=0: 5x7 dots DL=0: 4 bits F=1: 5x10 dots N=0: 1 line display N=1: 2 lines display	40µs
Set CG RAM Address	0	0	0	1	Character Generator (CG) RAM Address						Sets CG RAM address. CG RAM data is sent and received after this instruction.	40µs
Set DD RAM Address	0	0	1	Display Data (DD) RAM Address / Cursor Address						Sets DD RAM address. DD Ram data is sent and received after this instruction.	40µs	
Busy Flag / Address Read	0	1	B F	Address counter used for both DD & CG RAM address						Reads Busy Flag (BF) and address counter contents.	40µs	
Write Data	1	0	Write Data								Writes data into DDRAM or CGRAM.	46µs
Read Data	1	1	Read Data								Reads data from DDRAM or CGRAM.	46µs

x: Don't Care

# ACM1601C SERIES LCD MODULE

## 12.0 STANDARD CHARACTER PATTERNS

Lower 4 Bits \ Upper 4 Bits	0000	0001	0010	0011	0100	0101	0110	0111	1000	1001	1010	1011	1100	1101	1110	1111
xxxx0000	CG RAM (1)			0	a	P	`	P				-	夕	≡	⊗	P
xxxx0001	(2)		!	1	A	Q	a	q			。	ア	チ	△	⊗	q
xxxx0010	(3)		"	2	B	R	b	r			「	イ	ツ	×	⊗	⊗
xxxx0011	(4)		#	3	C	S	c	s			」	ウ	テ	⊗	⊗	⊗
xxxx0100	(5)		\$	4	D	T	d	t			、	エ	ト	⊗	⊗	⊗
xxxx0101	(6)		%	5	E	U	e	u			・	オ	ナ	⊗	⊗	⊗
xxxx0110	(7)		&	6	F	V	f	v			ヲ	カ	ニ	ヨ	⊗	⊗
xxxx0111	(8)		'	7	G	W	g	w			ア	キ	ヌ	ラ	⊗	⊗
xxxx1000	(1)		<	8	H	X	h	x			イ	ク	ネ	リ	⊗	⊗
xxxx1001	(2)		>	9	I	Y	i	y			ウ	ケ	ル	⊗	⊗	⊗
xxxx1010	(3)		*	:	J	Z	j	z			エ	コ	ハ	レ	⊗	⊗
xxxx1011	(4)		+	;	K	[	k	{			オ	サ	ヒ	ロ	⊗	⊗
xxxx1100	(5)		,	<	L	¥	l	l			カ	シ	フ	ワ	⊗	⊗
xxxx1101	(6)		-	=	M	]	m	}			ユ	ヌ	ハ	ン	⊗	⊗
xxxx1110	(7)		.	>	N	^	n	→			ヨ	セ	ホ	⊗	⊗	⊗
xxxx1111	(8)		/	?	O	_	o	†			ウ	ソ	マ	⊗	⊗	⊗

Note: The character generator RAM is the RAM with which the user can rewrite character patterns by program.