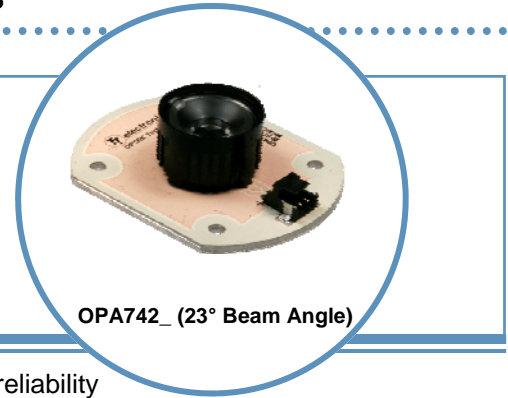


# OPA742 Series

## 1 Watt Light Spot on OptoTherm Linear Heat Spreader with Lens

### OPA742 Series

- 1 watt LED on round substrate
- Mono-color per strip (Blue, Green, Red, Yellow, White)
- Component beam angle option 23°
- Universal connector (Tyco 2-292173-2 mates with 173977-2)
- RoHS Compliant



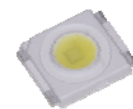
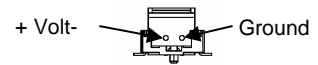
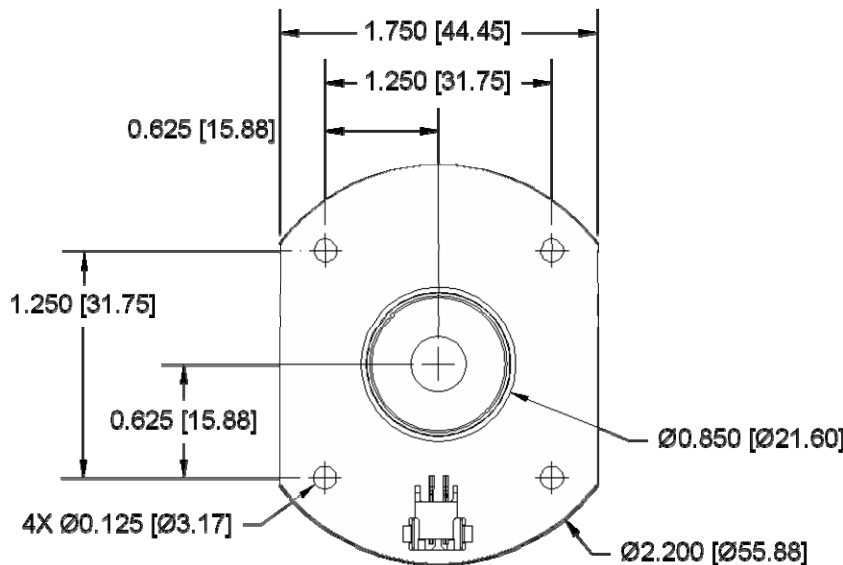
OPA742\_ (23° Beam Angle)

The **OPA742** Series are designed for areas where lighting intensity and reliability are essential. The light beam angle of 23° is ideal for illuminating areas close or a long distances from the device while requiring minimal space. A High Performance Heat Spreader (HPHS) is used to ensure the best heat dissipation of any light assembly in the industry.

For custom colors and design contact your OPTEK representative.

### Electrical / Optical Characteristics: $T_A=25^\circ\text{C}$ , $I_F=350\text{mA}$

Part Number	Typical Forward Voltage (V)	Luminous Flux (lm)	Beam Angle	Color	Dominant Wavelength
OPA742Y23	2.5	22	23°	Yellow	587 nm
OPA742B23	3.6	8		Blue	470 nm
OPA742G23	3.6	41		Green	530 nm
OPA742R23	2.5	30		Red	625 nm
OPA742W23	3.6	41		White	6,500°K

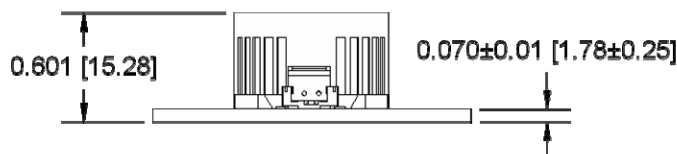


OPA742\_

See OVSP\_BCR4 for component specifications



RoHS



**DO NOT LOOK DIRECTLY AT LED WITH UNSHIELDED EYES OR DAMAGE TO RETINA MAY OCCUR.**

OPTEK reserves the right to make changes at any time in order to improve design and to supply the best product possible.

# Mouser Electronics

Authorized Distributor

Click to View Pricing, Inventory, Delivery & Lifecycle Information:

[Optek:](#)

[OPA742B23](#) [OPA742G23](#) [OPA742R23](#) [OPA742W23](#) [OPA742Y23](#)