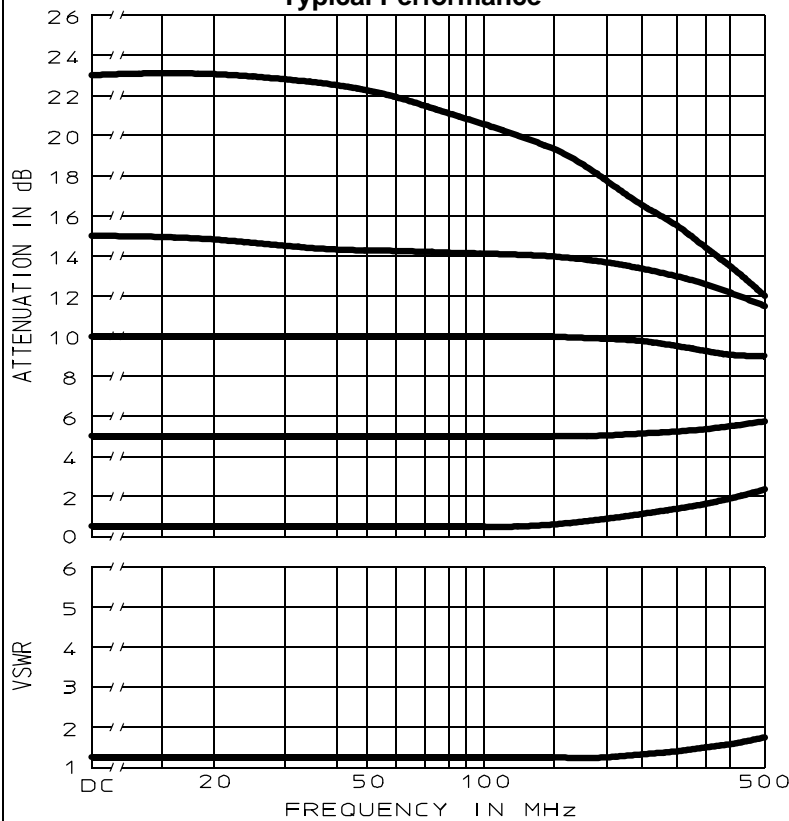




**PRINCIPAL SPECIFICATIONS**

Model Number	Mechanical Configuration	Frequency Range, MHz	Performance Bandwidth, MHz	Attenuation Range, dB, Min.	Insertion Loss, dB, Max.	VSWR, Max.	CW Power, W, Max.	Weight, oz. (g), Nom.
ARS-1	Side Screw Drive/ PC Plug-In	DC - 400	DC - 50	0 - 20	1.0	1.5:1	0.5	0.7 (20)
			DC - 200	0 - 13	1.5	1.8:1		
			DC - 400	0 - 8	2.5	2.2:1		
ARS-2	Top Screw Drive/ PC Plug-In	DC - 400	DC - 50	0 - 20	1.0	1.5:1	0.5	1 (28)
			DC - 200	0 - 13	1.5	1.8:1		
			DC - 400	0 - 8	2.5	2.2:1		

**Typical Performance**



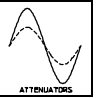
**GENERAL SPECIFICATIONS**

Resetability (Granularity): 0.2 dB  
 Impedance: 50 Ω nom.  
 Operating Temperature: -55° to +85°C

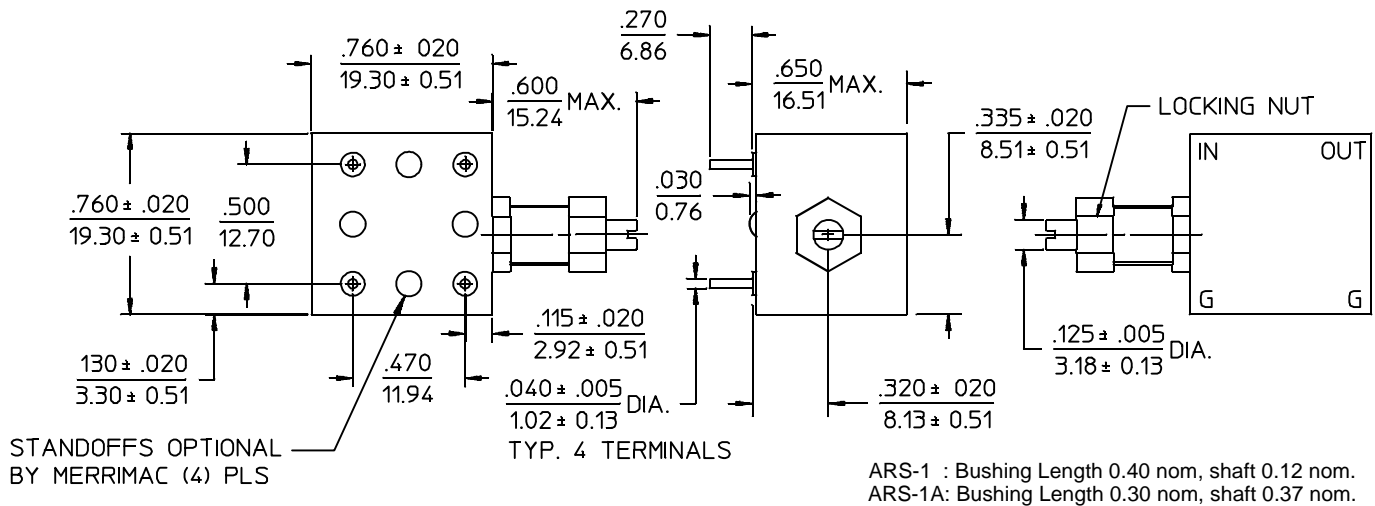
**General Notes:**

1. The ARS series consists of continuously variable attenuators utilizing compensated Bridged Tee Networks to vary signal power. These constant impedance, very broadband attenuators are designed to cover frequencies from DC to 400 MHz.
2. Similar units are available with analog electronic control of attenuation in the AFF and AEF series and digital control in the AD series. Further varieties are also available in the ARC series including a 75 Ω model for baseband communications systems
3. For special requirements, Merrimac can supply units with special characteristics such as the long shaft version, ARS-1A, which was developed for requirements using a knob.
4. The ARS series can be supplied screened for high reliability to meet specific military and space applications.

28Jun02

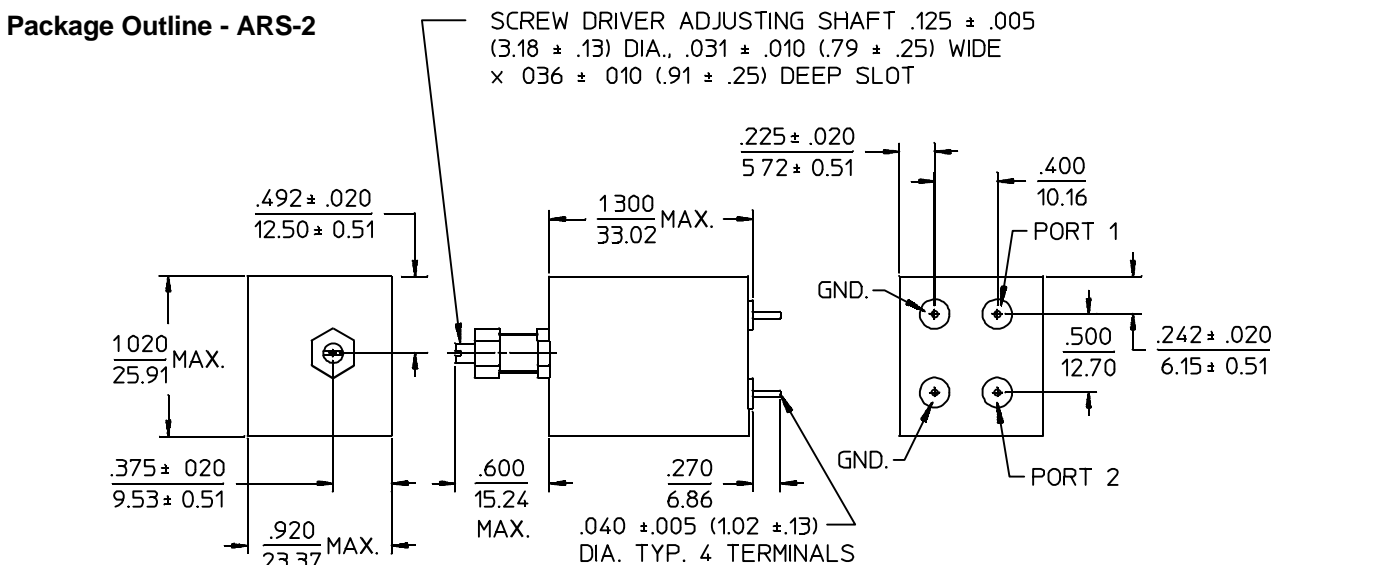


Package Outline - ARS-1



NOTES: 1. Tolerance on 3 place decimals  $\pm .020(.51)$  except as noted.  
2. Dimensions in inches over millimeters.

Package Outline - ARS-2



25Mar96