

AZ DISPLAYS, INC.

1. MECHANICAL DATA

(1) Product No.	AGM3224W
(2) Module Size	168.0 (W)mm x 111.0 (H)mm x 9.0(D)mm
(3) Dot Size	0.09 (W)mm x 0.33 (H)mm
(4) Dot Pitch	0.12 (W)mm x 0.36 (H)mm
(5) Number of Dots	320 xRGB(W) x 240 (H)Dots
(6) Duty	1/240
(7) LCD Display Mode	FSTN :Color STN module Rear Polarizer :Color Transmissive Type
(8) Viewing Direction	6 O'clock
(9) Backlight	CCFL
(10) Controller	Excluded
(11) DC/DC Converter	Excluded
(12) Weight	280 g(approx.)

Date: April 27, 2001

AZ Displays, Inc.

2. ABSOLUTE MAXIMUM RATINGS

(1) ELECTRICAL ABSOLUTE RATINGS

VSS=0V

ITEM	SYMBOL	MIN	MAX	UNIT	COMMENT
Power Supply for Logic	VDD-VSS	-0.3	7.0	V	
Power Supply for LCD Drive	VLCD-VSS	0	42.0	V	
Input Voltage	VI	-0.3	VDD+0.3	V	
Static Electricity	-	-	-	-	Note 1

(2) ENVIRONMENTAL ABSOLUTE MAXIMUM RATINGS

ITEM	NORMAL TEMP.			
	OPERATING		STORAGE	
	MIN.	MAX.	MIN.	MAX.
Ambient Temperature	0	50	-20	60
Humidity (Without Condensation)	Note 2,4		Note 3,4	

Note 1 LCM should be grounded during handling

Note 2 $T_a \leq 50^\circ\text{C}$: 85%RH max

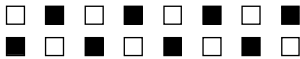
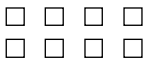
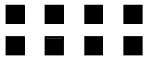
$T_a > 50^\circ\text{C}$: Absolute humidity must be lower
than the humidity of 85%RH at 50°C

Note 3 T_a at -20°C will be < 48 hrs, at 60°C will be < 120 hrs

Note 4 Background will color change slightly depending on ambient temperature.
This phenomenon is reversible.

AZ DISPLAYS, INC.

3. ELECTRICAL CHARACTERISTICS

ITEM	SYMBOL	CONDITION		MIN.	TYP.	MAX.	UNIT
Logic Circuit Power Supply	VDD-VSS	Ta= 25°C		4.5	5.0	5.5	V
Input Voltage	VIH	H level		0.8VDD	-	VDD	V
	VIL	L level		0	-	0.2VDD	V
Recommended LCD Driving Voltage	VLCD-VSS	Duty=1/240 Bias=1/13 VDD=5.0V	0°C	23.2	23.6	24.0	V
			25°C	22.2	22.6	23.0	
			50°C	21.0	21.4	21.8	
Supply Current for Logic	IDD	VDD-VSS = 5.0V VLCD-VSS = 22.6V Ta= 25°C		-	2.0	6.0	mA
Supply Current for LCD	ILCD	PATTERN: 		-	8.0	15.0	mA
LCM Surface Luminance	L	PATTERN: (Dots All On of White Color) 		-	75.0	-	cd/m ²
		PATTERN: (Dots All Off) 		-	3.0	-	
CCFL Driving Current	IFLD	-		4.0	5.0	6.0	mArms

AZ Displays, Inc.

4. OPTICAL CHARACTERISTICS

4-1 Optical Char. of Normal Temp. Mode

AT Vop

ITEM MODE		Cr(Contrast Ratio)						θ (Viewing Angle)		ϕ (Viewing Angle)	
		0°C		25°C		50°C		25°C		25°C	
		MIN.	TYP.	MIN.	TYP.	MIN.	TYP.	MIN.	TYP.	MIN.	TYP.
T	M	-	20	-	30	-	10	-	48	-	40~60
NOTE		NOTE 6						NOTE 5			

note:

T: TRANSMISSIVE

M: 6 O'CLOCK STN MODULE

AT $\phi=0^\circ$ $\theta=0^\circ$

ITEM	SYMBOL	CONDITION	MIN.	TYP.	MAX.	UNIT	NOTE
Response Time (rise)	Tr	0°C	-	600	900	ms	NOTE 2
		25°C	-	240	360		
		50°C	-	150	230		
Response Time (fall)	Tf	0°C	-	350	530	ms	NOTE 2
		25°C	-	100	150		
		50°C	-	70	100		

AZ Displays, Inc.

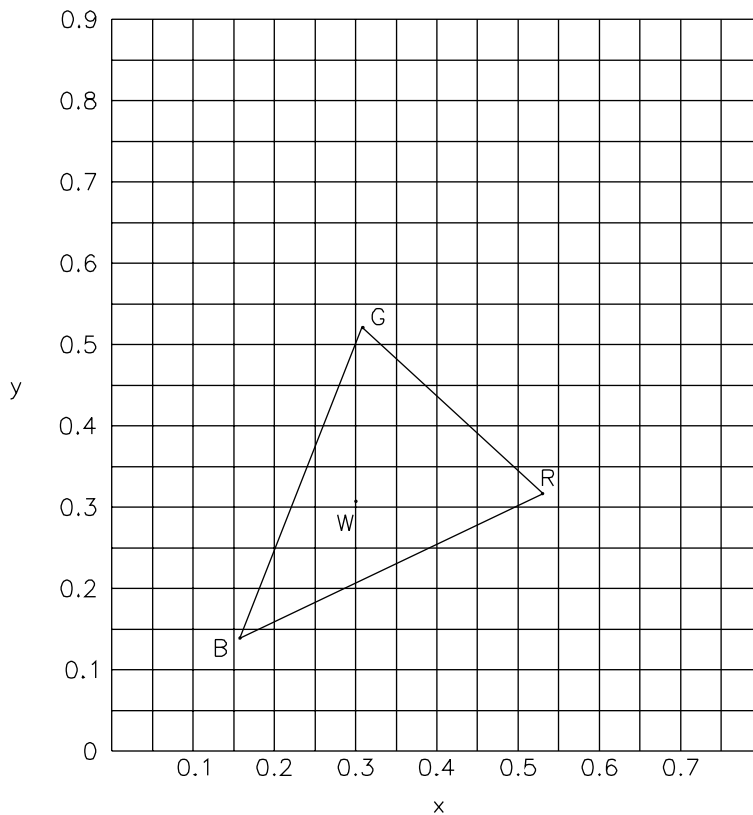
4-2 Color of CIE Coordinate

Ta = 25°C

ITEM		SYMBOL	CONDITION	VALUE	BRIGHTNESS (cd/m ²)
Color of CIE Coordinate	Red	X	$\phi = 0^\circ, \theta = 0^\circ$	0.542	18.4
		y		0.329	
	Green	X		0.302	42.5
		y		0.538	
	Blue	X		0.159	14.3
		y		0.138	
	White	X		0.295	65.0
		y		0.312	

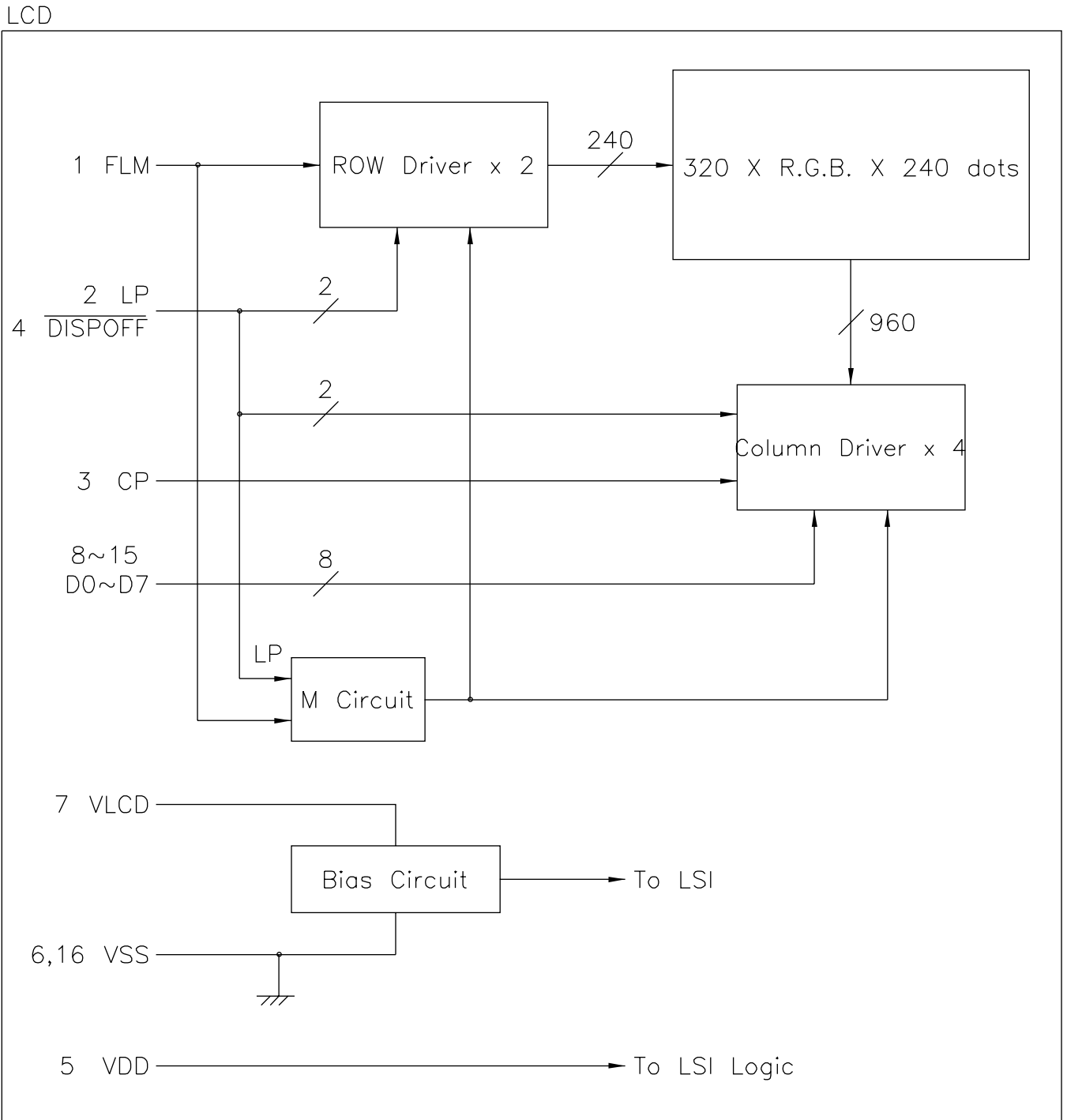
Tolerance : ± 0.05

Fig.1

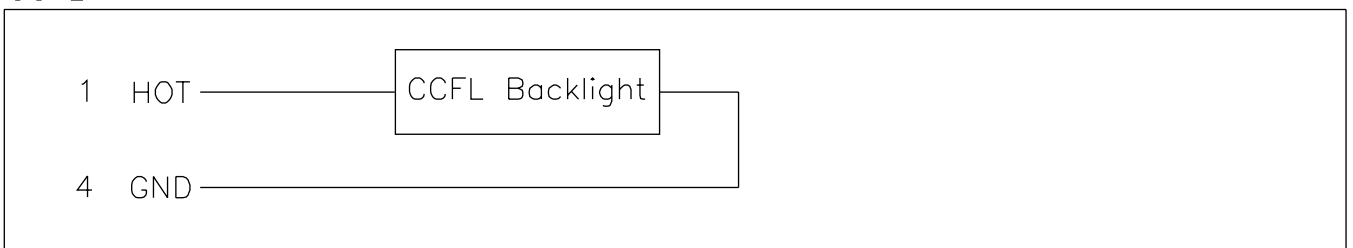


AZ Displays, Inc.

5. BLOCK DIAGRAM



CCFL



AZ Displays, Inc.

6. INTERNAL PIN CONNECTION

LCD

Pin No.	Symbol	Level	Function
1	FLM	H/L	First Line Marker
2	LP	H→L	Data Latch Signal
3	CP	H→L	Clock Signal for Shifting Data
4	DISPOFF	H/L	Display Control Signal, H :Display on L :Display off
5	VDD	–	Power Supply for Logic
6	VSS	–	Power Supply (0V,GND)
7	VLCD	–	Power Supply for LCD Drive
8	D0	H/L	Display Data
9	D1	H/L	Display Data
10	D2	H/L	Display Data
11	D3	H/L	Display Data
12	D4	H/L	Display Data
13	D5	H/L	Display Data
14	D6	H/L	Display Data
15	D7	H/L	Display Data
16	VSS	–	Power Supply (0V,GND)

LCD INTERFACE CABLE :

FFC,N16,Pitch 1.0 mm (Thickness = 0.3 mm)

MATING CONNECTOR :

MOLEX 52207-1690 or COMPATIBLE

CCFL

Pin No.	Symbol	Level	Function
1	HOT	–	Power Supply for CCFL(HOT)
2	NC	–	Non-connection
3	NC	–	Non-connection
4	GND	–	Power Supply for CCFL(GND)

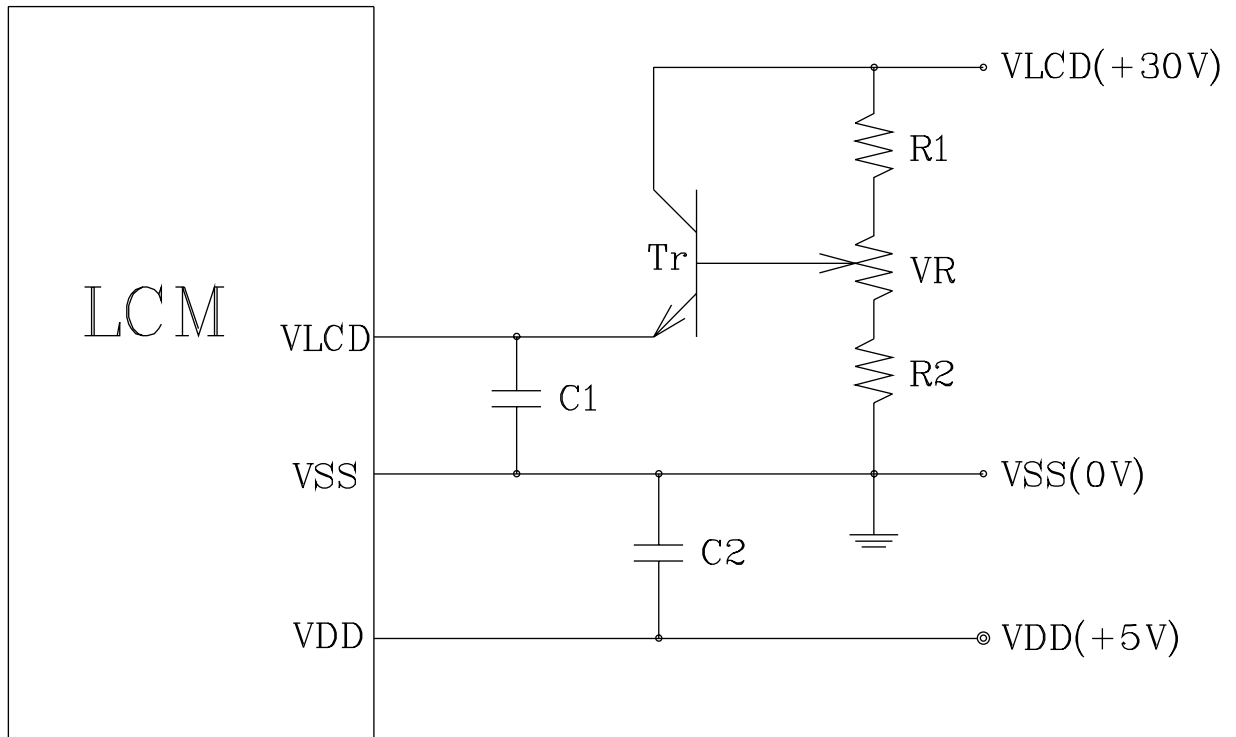
CCFL CONNECTOR : M63M83-04 (MITSUMI)

MATING CCFL CONNECTOR :

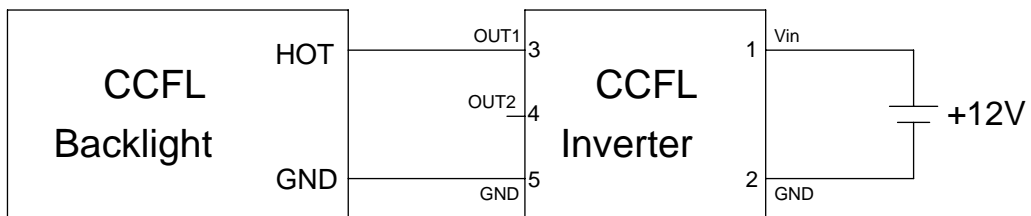
M60-04-30-134P or M60-04-30-114P or M61M73-04 (MITSUMI)

AZ Displays, Inc.

7. POWER SUPPLY



$$R1 + R2 + VR = 10 \sim 20K\Omega$$
$$C1, C2 = 10\mu F$$



SUGGESTED INVERTER : CXA-L10L (TDK)

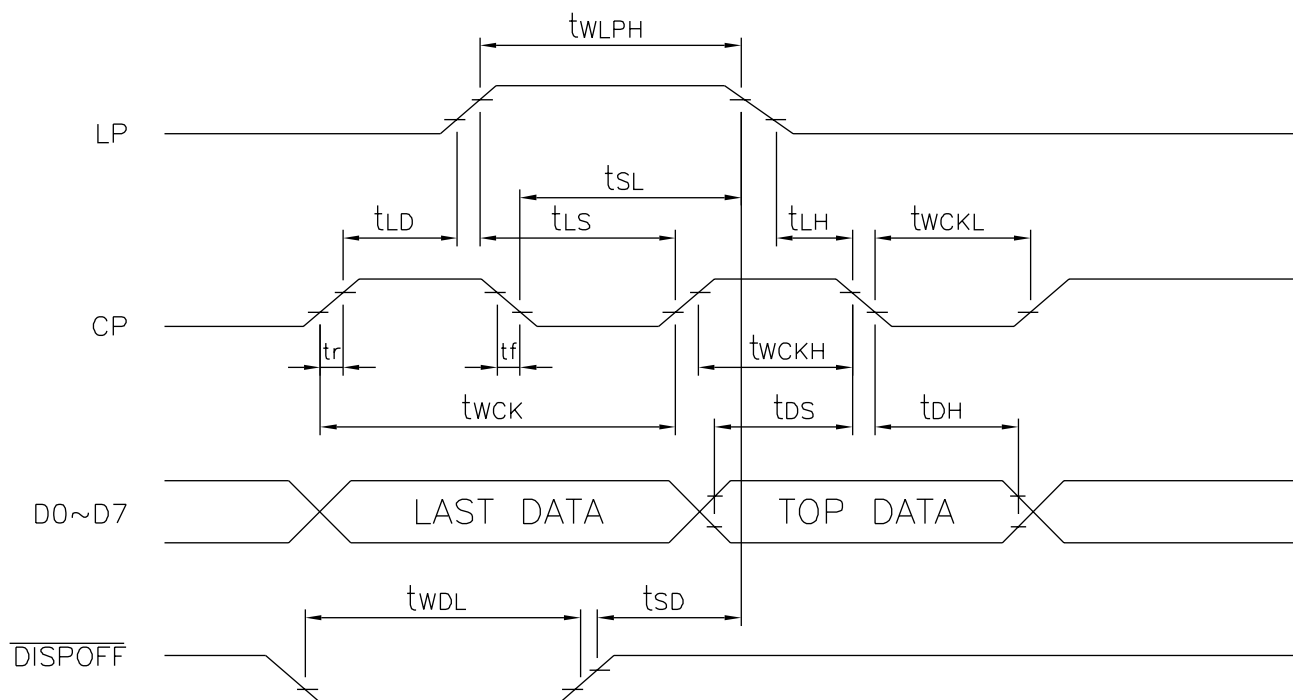
AZ Displays, Inc.

8. TIMING CHARACTERISTICS

8-1 INTERFACE TIMING

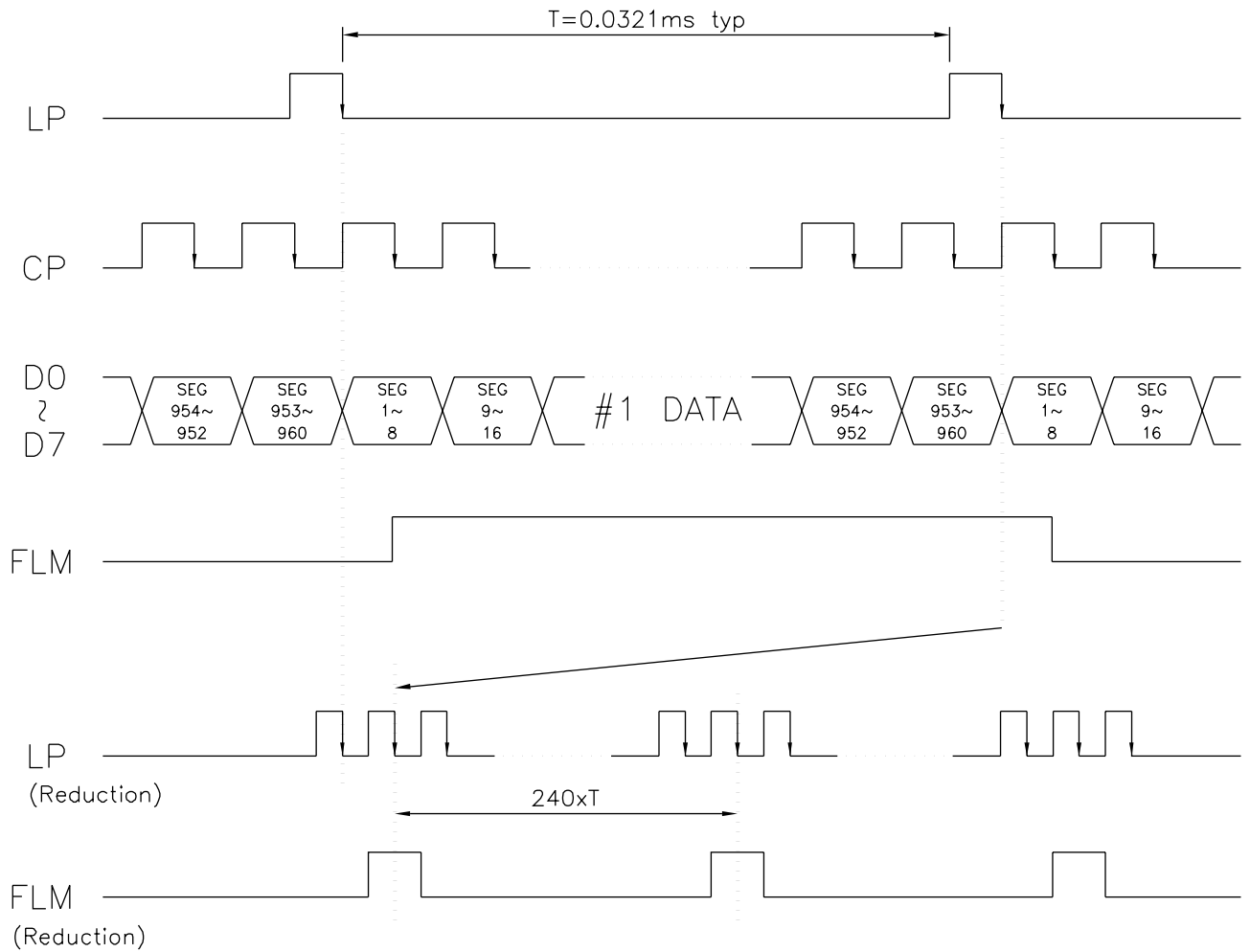
VDD=5.0V ± 10%

Parameter	SYMBOL	MIN.	MAX.	UNIT
CLOCK PULSE CYCLE TIME	t_{wck}	40	—	ns
CLOCK PULSE HIGH LEVEL WIDTH	t_{wckH}	12	—	ns
CLOCK PULSE LOW LEVEL WIDTH	t_{wckL}	14	—	ns
LATCH PULSE HIGH LEVEL WIDTH	t_{wLPH}	15	—	ns
CP→LP RISE TIME	t_{LD}	5	—	ns
CP→LP FALL TIME	t_{SL}	25	—	ns
LP→CP RISE TIME	t_{LS}	25	—	ns
LP→CP FALL TIME	t_{LH}	25	—	ns
CLOCK PULSE RISE/FALL TIME	t_r, t_f	—	50	ns
DATA SETUP TIME	t_{DS}	5	—	ns
DATA HOLD TIME	t_{DH}	15	—	ns
$\overline{\text{DISPOFF}}$ LOW LEVEL WIDTH	t_{WDL}	1.2	—	μs
$\overline{\text{DISPOFF}}$ CANCELLATION TIME	t_{SD}	100	—	ns



AZ Displays, Inc.

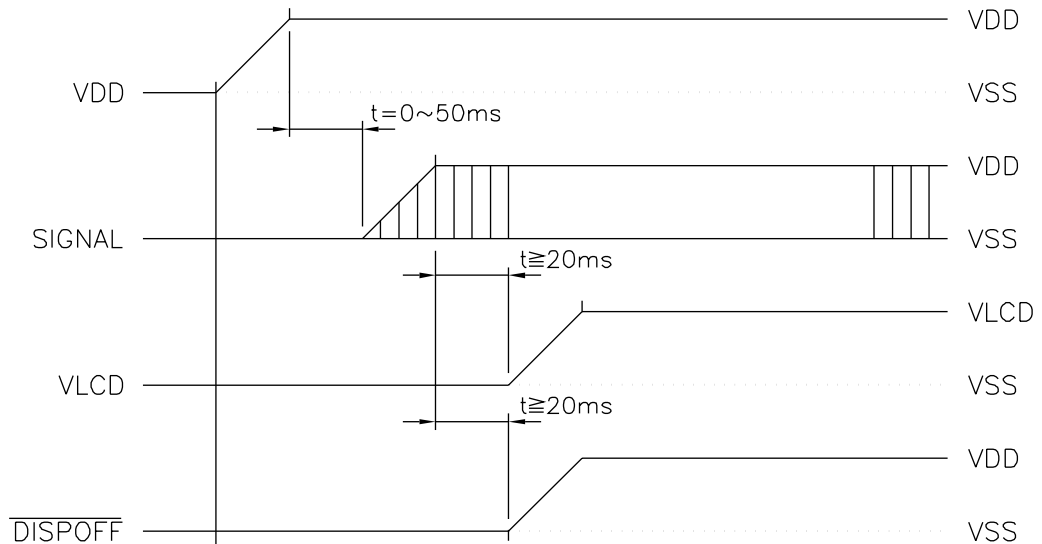
8-2 TIMING CHART OF INPUT SIGNAL



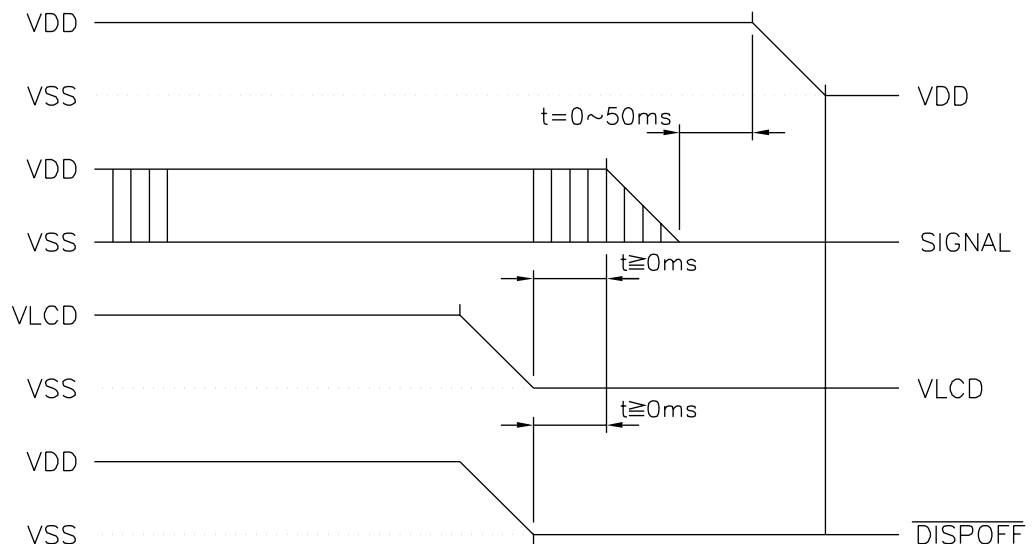
AZ Displays, Inc.

8-3 POWER ON/OFF TIMING

ON SEQUENCE



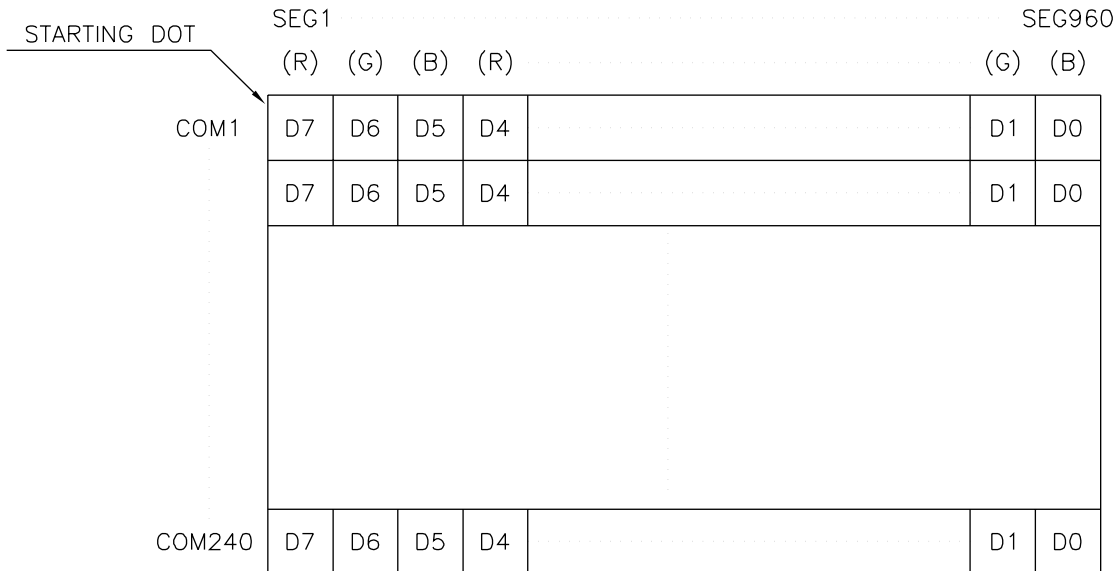
OFF SEQUENCE



Please maintain the above sequence when turning on and off the power supply of the module. If $\overline{\text{DISPOFF}}$ is supplied to the module while internal alternate signal for LCD driving(M) is unstable, DC component will be supplied to the LCD panel. This may damage the LCD module.

AZ Displays, Inc.

8-4 DISPLAY PATTERN

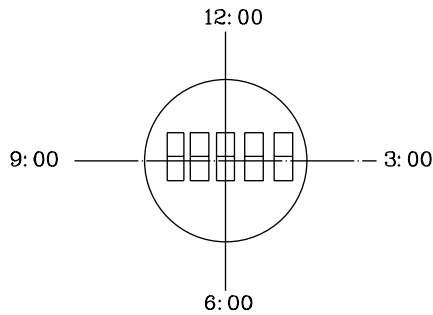


D0~D7 are 8 bits transmitted data, where D0 is LSB and D7 is MSB.

AZ Displays, Inc.

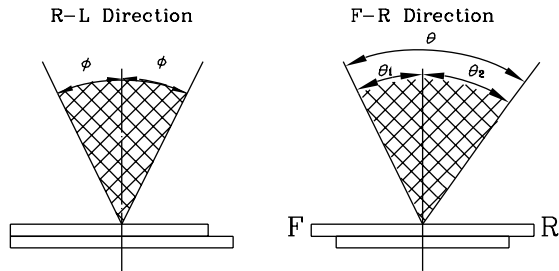
(NOTE 4)

Definition of Viewing Direction



(NOTE 5)

Definition of Viewing Angle



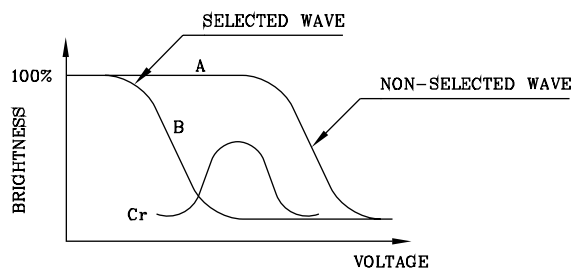
$$\theta = \theta_1 + \theta_2$$

*Conditions

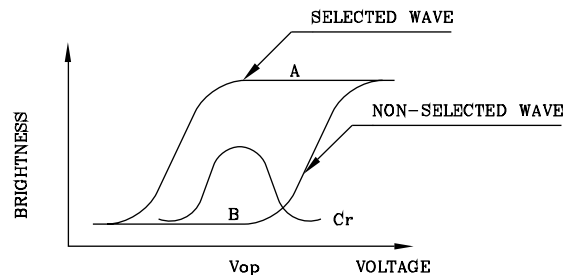
- Operating Voltage : Vop
- Frame Frequency : 70Hz
- Applying Waveform : 1/N duty 1/a bias
- Contrast Ratio : larger than 2

(NOTE 6)

Definition of Contrast Ratio (Cr)



(positive type)

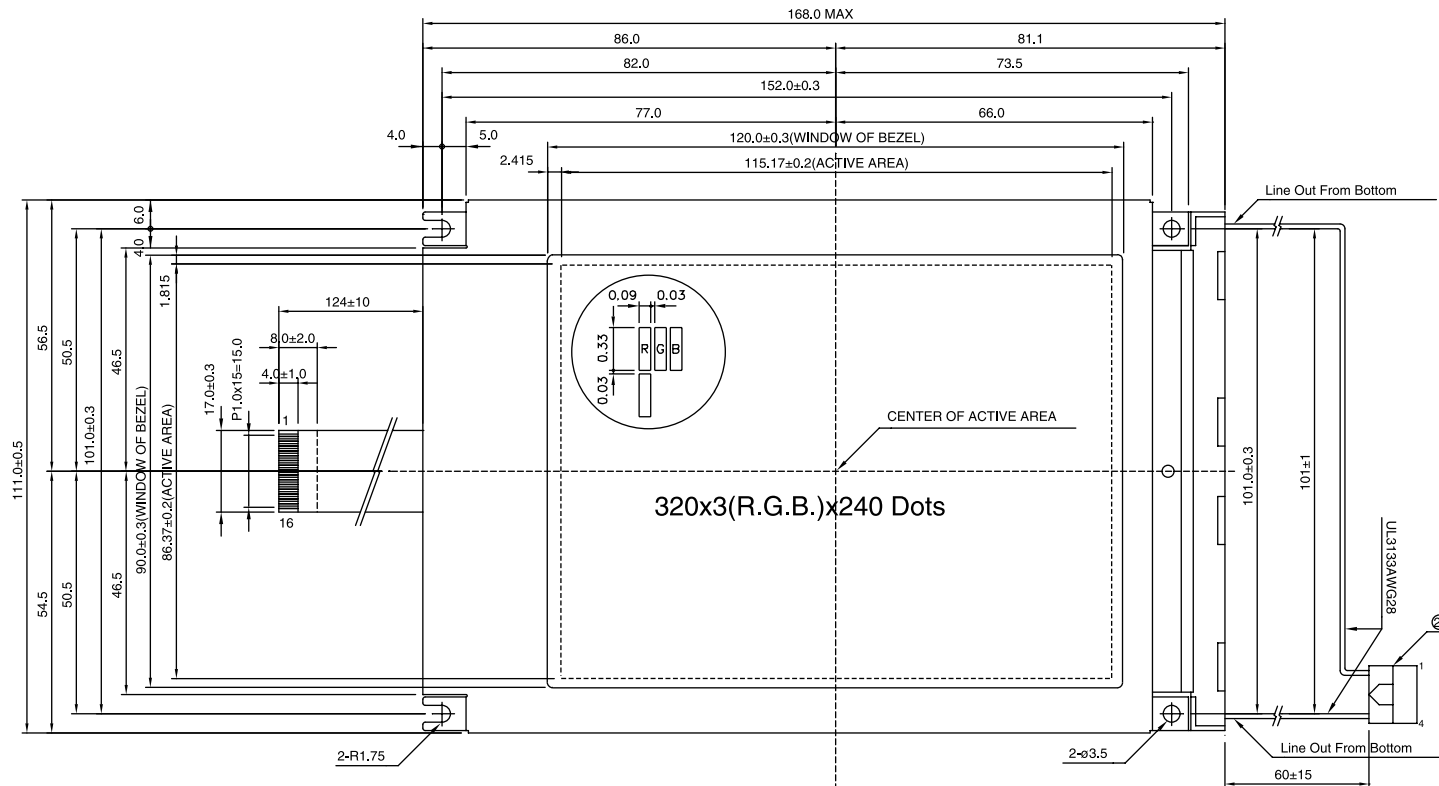


(negative type)

$$\text{Contrast Ratio : } Cr = A/B$$

*Conditions

- Viewing Angle : 0
- Frame Frequency : 70Hz
- Applying Waveform : 1/N duty 1/a bias

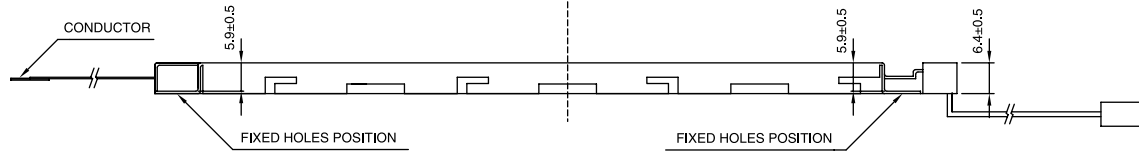


PIN ASSIGNMENT OF I/O CONNECTION

Pin No.	SYMBOL	LEVEL	FUNCTION
1	FLM	H/L	First Line Marker
2	LP	H→L	Data Latch Signal
3	CP	H→L	Data Shift Clock Signal
4	DISPOFF	H/L	H : Display On L : Display Off
5	V _{DD}	-	Power Supply for Logic
6	V _{SS}	-	Power Supply(0V,GND)
7	V _{LCD}	-	Power Supply for LCD Drive
8	D0	H/L	Display Data
9	D1	H/L	Display Data
10	D2	H/L	Display Data
11	D3	H/L	Display Data
12	D4	H/L	Display Data
13	D5	H/L	Display Data
14	D6	H/L	Display Data
15	D7	H/L	Display Data
16	V _{SS}	-	Power Supply(0V,GND)

PIN ASSIGNMENT OF CCFL CONNECTION

Pin No.	SYMBOL	LEVEL	FUNCTION
1	HOT	-	Power Supply for CCFL(HOT)
2	NC	-	No Connection
3	NC	-	No Connection
4	GND	-	Power Supply for CFL(GND)



NOTE :

1. RESOLUTION : 320 X 3(R.G.B.) X 240 DOTS
2. CONTROLLER : WITHOUT
3. DC/DC CONVERTER : WITHOUT
4. ① INTERFACE CONNECTOR
FFC, N16 P1.0mm
② CCFT CONNECTOR
M63M83-04(MITSUMI)
5. NO TOLERANCE SPECIFIED : ±0.5mm

		AGM3224W		AZ DISPLAYS, INC.		
		NAME	DATE	TITLE		
APPROVE				DWG-NO		
CHECK				CB-T161G		Rev.A
DESIGN				THIRD ANGLE PROJECT		
DRAW	MAY PING	87.05.20		UNIT : mm		
				SCALE : 2/3		