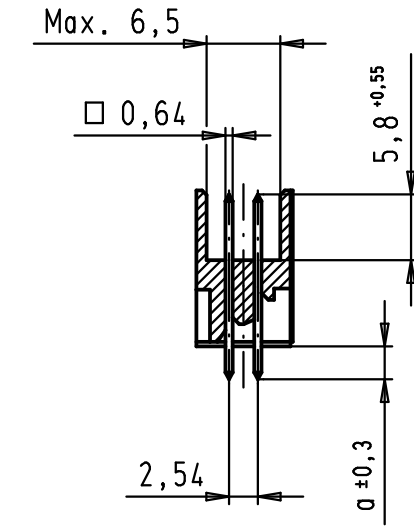
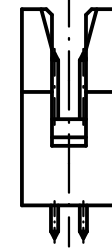
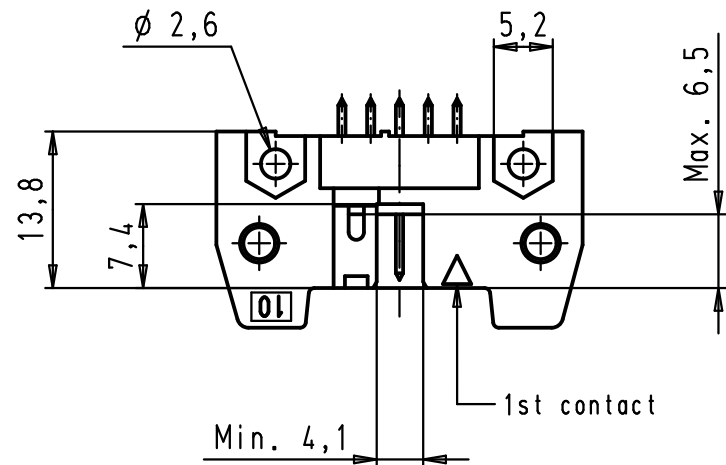
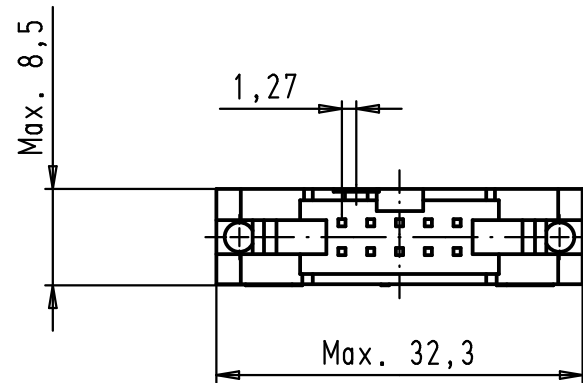
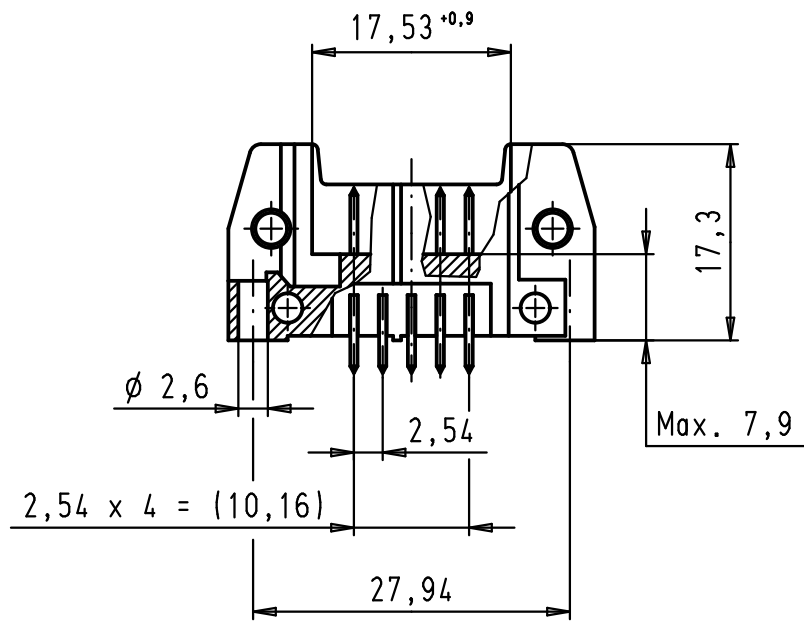
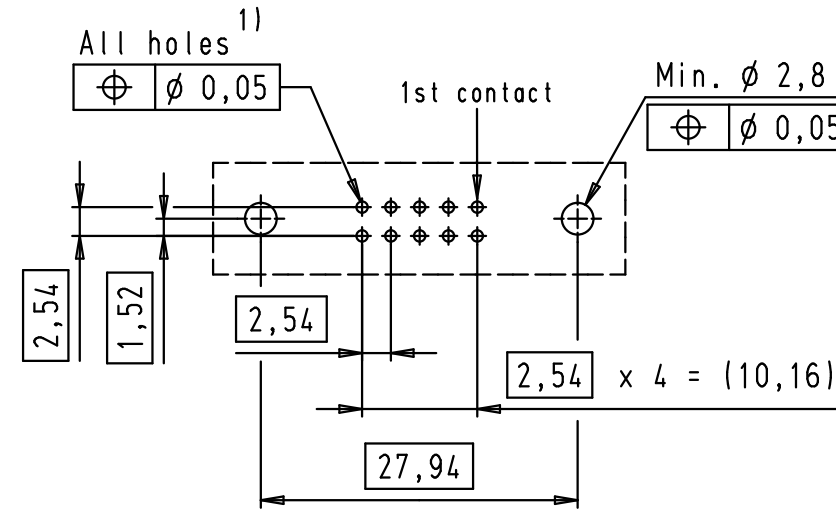


Alle Rechte vorbehalten/ All rights reserved



PCB layout, component side



1) Solder pins for PCB connections  
 $\phi 1 \pm 0,1$  according to IEC 60 326-3

09 19 510 7922	3	4,5
09 19 510 6922	2	4,5
09 19 510 5922	0,76 $\mu\text{m Au}$	4,5
09 19 510 7924	3	2,9
09 19 510 6924	2	2,9
09 19 510 5924	0,76 $\mu\text{m Au}$	2,9
Part number	Performance level	a

				Det.	Name	 All Dim. in mm Orig. Size DIN A 3	SEK 19 Male Connector Standard 10 poles High temperature with straight solder pins and without levers	Maßstab/ Scale	
				Detail.	25/04/02			CV	1,5:1
				Insp.					
				Stand.					
34900	29/01/08	LP	HARTING EURL		 F-95972 Paris	TB 09 19 510 X92X	Blatt/ Page 2/2		
29778	25/04/02	CV	Mod.	Det.				Name	Sub.