

# LED Heat Sink R87-60

**This LED Heatsink is part of the Nuventix scalable LED portfolio.**

**Future proof** – Designed with the rapidly evolving light engine industry in mind, thermal performance can be easily increased or decreased without a luminaire redesign by adding or removing a SynJet Cooler

**Flexibility** – Configure to order luminaire production process, use heatsinks for low lumen applications and the SynJet Cooler with heatsink for higher lumen versions

**Freedom** – Compatible with most major light engines so thermal solutions and mechanical interfaces do not have to be redesigned when changing light engines

**Fast** – In stock and ready for overnight delivery, worldwide



## Specifications

### Thermal<sup>1</sup>

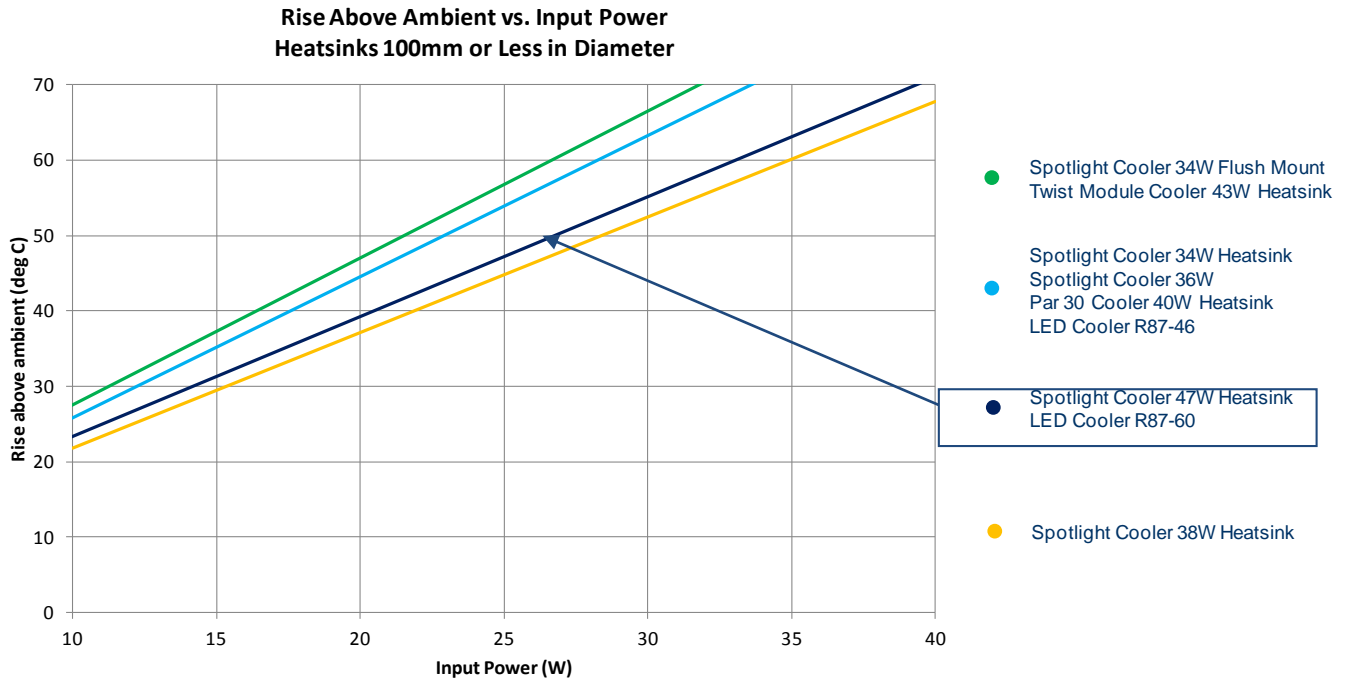
Thermal Wattage	Heatsink $\Theta_{s-a}$ <sup>2</sup>	Heat Sink T <sub>Rise Above Ambient</sub>
10 W	2.3 (°C/W)	23 (°C)
18 W	2.0 (°C/W)	36 (°C)
26 W	1.9 (°C/W)	49 (°C)

### Mechanical

<b>Material</b>	6063-T5 Al Extrusion
<b>Finish</b>	Black Anodized
<b>Weight</b>	235g
<b>Regulatory</b>	RoHS

Size
Diameter: 87 mm
Height: 60 mm

The chart below summarizes the thermal performance of all round LED heatsink solutions with diameters from 75 to 100 mm.

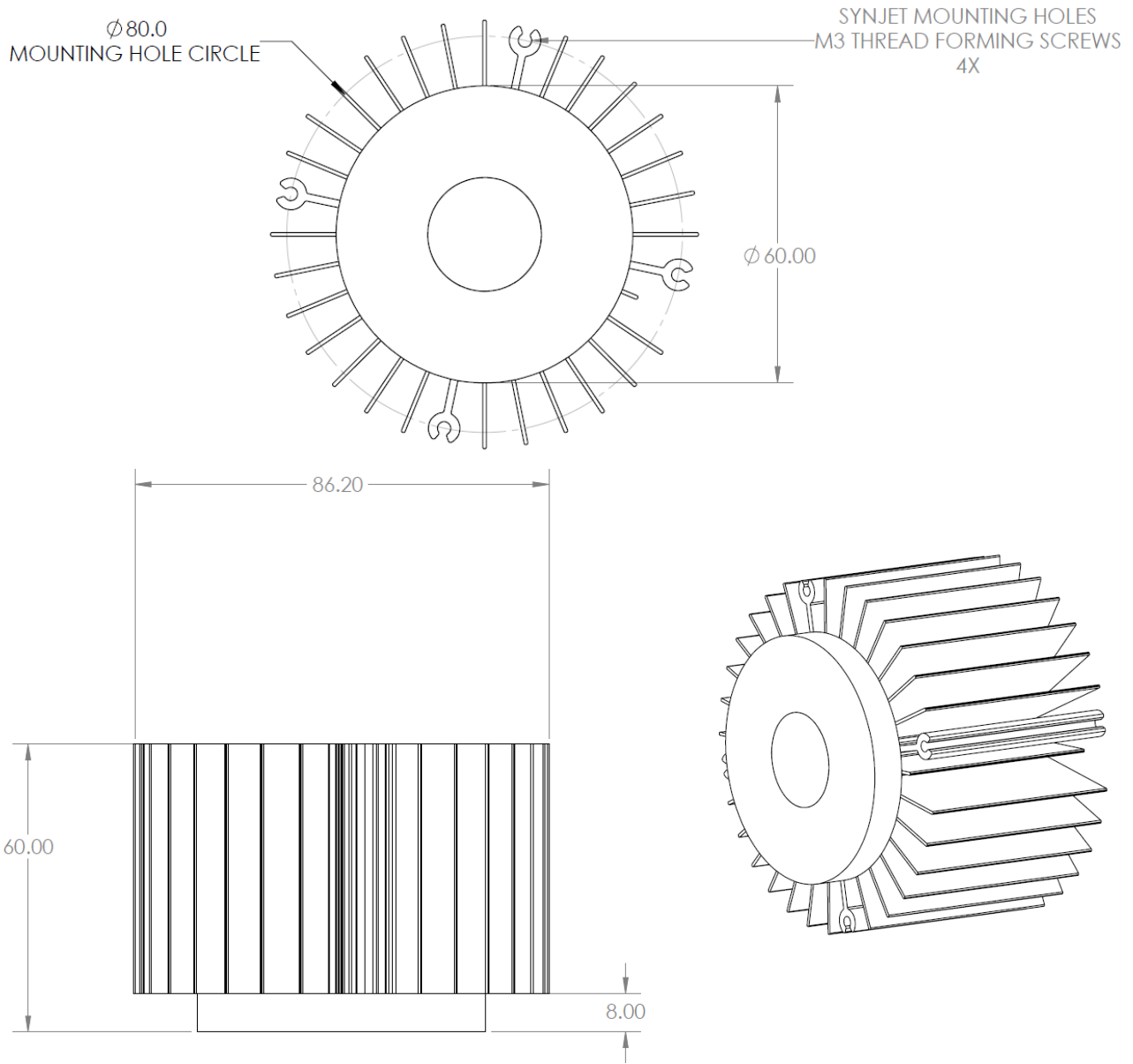


<sup>1</sup> All values are typical at 25°C unless otherwise stated.

<sup>2</sup> Thermal resistance values are given as reference only and are measured in free air without airflow obstructions. Thermal resistance is measured from the bottom middle of the heat sink to ambient air, with a heat source at least 4.1cm<sup>2</sup>. Actual thermal performance may vary by application and final product design should be tested to assure proper thermal performance.

PRODUCT DATASHEET

**Mechanical – LED Heatsink shown with Configurable heat sink**



All dimensions are nominal and in mm unless otherwise stated. See product drawings for more detail.

**Part Numbers**

Part Number	Description	Notes
NX301105	Heatsink, R87-60, Xicato XSM M3, Vossloh Schwabe Luga Shop, Black	Contact sales for other heatsink options
NX301106	Heatsink, R87-60, Citizen CLL030, CLL050, Ledil, Black	Contact sales for other heatsink options
NX301107	Heatsink, R87-60, Osram Soleriq, Ledil, Sharp Megazenigata, Molex, Black	Contact sales for other heatsink options
NX301108	Heatsink, R87-60, Philips Luxeon K, Black	Contact sales for other heatsink options
NX301114	Heatsink, R87-60, Config, Black	Contact sales for other heatsink options
NX301115	Heatsink, R87-60, Bridgelux, Vero 13/18, Vero 10, Black	Contact sales for other heatsink options
NX301117	Heatsink, R87-60, Bridgelux Vero 29, RS, Black	Contact sales for other heatsink options

Nuventix reserves the right to make changes to the products or information contained herein without notice. No liability is assumed as a result of their use or applications. For additional information, please contact Nuventix directly.