

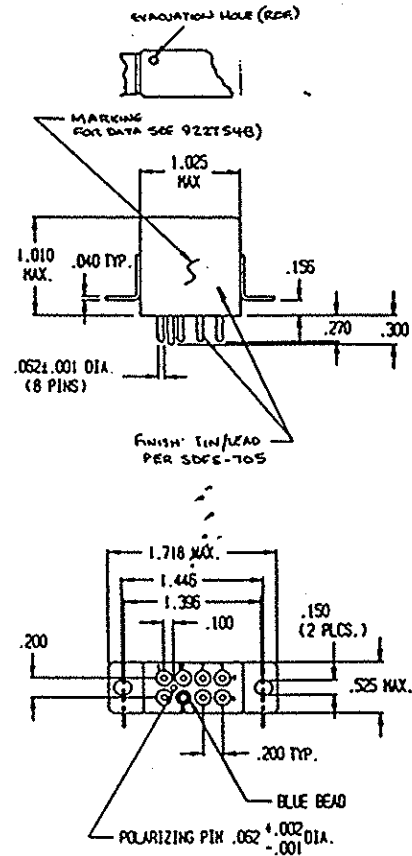
MSD INC.

ENGINEERING DATA SHEET

RELAY TYPE: FCA-210-1022M	COMPUTER PART No.: 9227548	TEST PROCEDURE MSDP-790
CUSTOMER/SPECIFICATION: MIL-R-83536/10-022	REV NONE	

TEST REQUIREMENTS

COIL RES.: 320 +/-10% ohms OPERATE TIME: 10 mS Max RELEASE TIME: 10 mS Max
 CONTACT MAKE BOUNCE: 1 mS Max N.O. BREAK BOUNCE: 0.1 mS MAX
 CONTACT STABILIZATION TIME: 2.5 mS Max RATED COIL VOLTAGE: 28 Vdc
 CONTACT RES.: MFG TEST: 8 Milliohms @ 10 mA FINAL TEST: 10 Milliohms @ 10 A
 CONTACT VOLTAGE DROP: FINAL TEST: 100 mV Max @ 10 A - 6 V dc
 HI-POT: 1250 V rms ALL POINTS, EXCEPT 1000 V rms COIL TO CASE
 INSULATION RESISTANCE: 100 Megohms Min @ 500 V dc
 VIBRATION: MIL-STD-202, METHOD 204 (30G's/100-3000 Hz)
 SEAL TEST: 1X10⁻⁸ Max LEAK RATE COIL TRANSIENT SUPPRESSION: 42 Vdc MAX
 OTHER: _____



Prepared By: Date		Approved By: Date	
LES WYNNE 3-14-96		<i>J. Lockyer</i> 3-19-96	
Rev	ECN No.	Date	
A	96-065	3-14-96	

SPECIAL INSTRUCTIONS