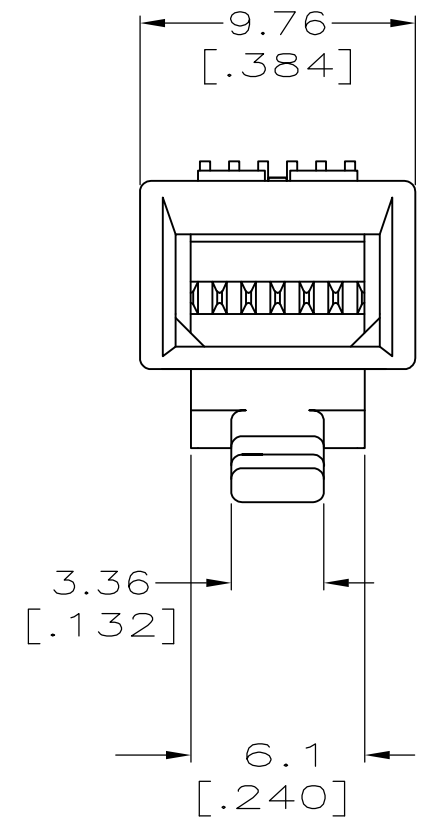
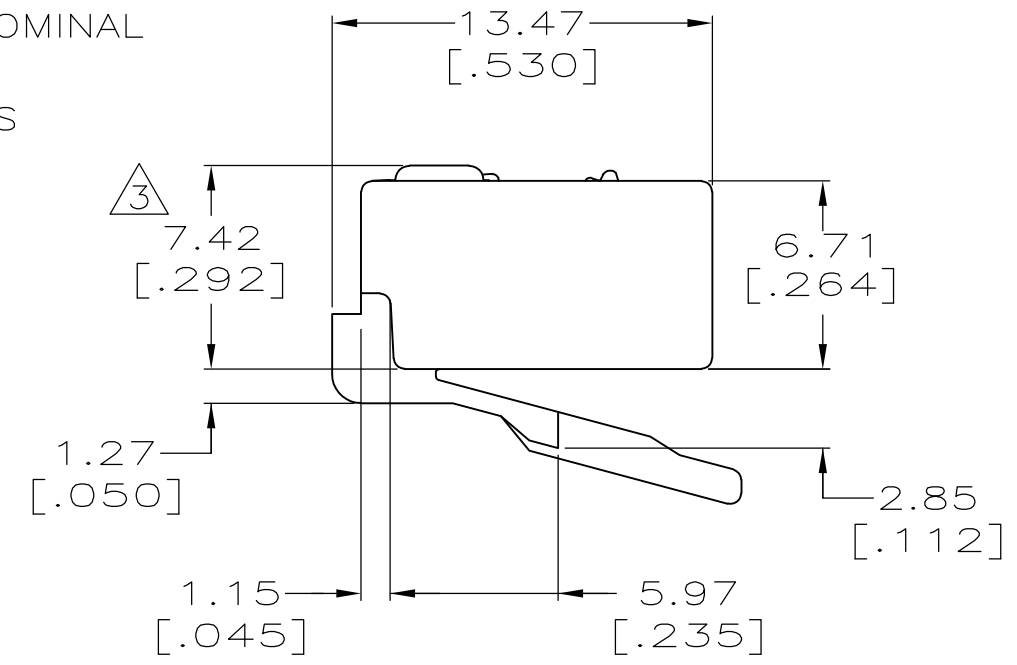
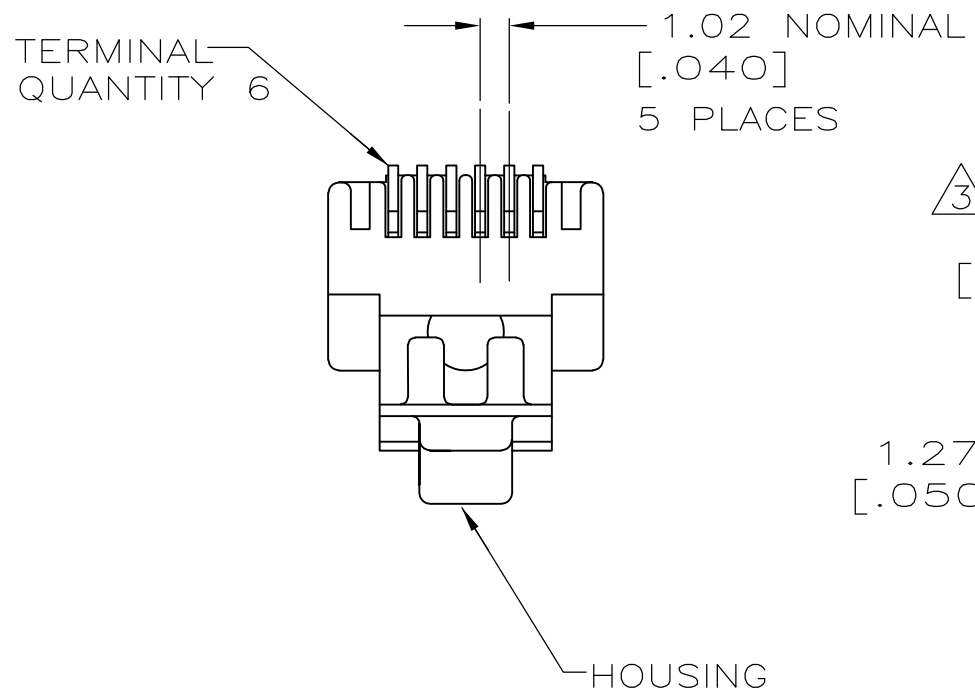
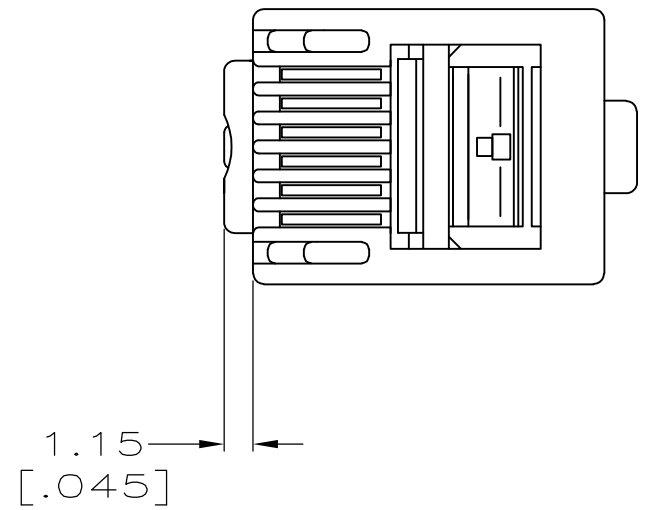


LOC	DIST	REVISIONS					
HM	00	P	LTR	DESCRIPTION	DATE	OWN	APVD
		R		REV PER ECO-15-007385	20MAY2015	GG	LS



- 1 MATERIAL: HOUSING- POLYCARBONATE, CLEAR
 TERMINAL- .36 [.014] THICK PHOSPHOR BRONZE PLATED WITH .178μm [.000007] THICK GOLD IN LOCALIZED PLATE AREA OVER .762μm [.000030] THICK PALLADIUM NICKEL IN LOCALIZED PLATE AREA OVER 2.54μm [.000100] THICK NICKEL ON ENTIRE CONTACT.
- 2. PLUG WILL ACCEPT 0.89[.035] DIAMETER STRANDED, 26 OR 28 AWG, OR TINSEL 28 AWG WIRE WITH A 4.58[.180] DIAMETER MAXIMUM JACKET.
- 3 TERMINATED DIMENSION 6.15[.242] MAXIMUM.
- 5 DIMENSIONS ARE MAXIMUM UNLESS OTHERWISE SPECIFIED.
- 6 10,000 ASSEMBLIES PER PACKAGE.
- 7 1000 ASSEMBLIES PER PACKAGE.
- 8 100 ASSEMBLIES PER PACKAGE.

SUPERSEDED BY: 5-554710-2
OBSOLETE

8	LOOSE PIECE	5-554710-3
7		5-554710-2
6		5-554710-1
	REELED	554710-1
	PACKAGED	DESCRIPTION
		PART NO.

THIS DRAWING IS A CONTROLLED DOCUMENT.		DWN	L. HALL	11DEC2007	TE Connectivity	
DIMENSIONS: mm[INCHES]		CHK	B. MCNEILL	11DEC2007		
TOLERANCES UNLESS OTHERWISE SPECIFIED:		APVD	B. MCNEILL	11DEC2007		
0 PLC ± - 1 PLC ± - 2 PLC ± - 3 PLC ± - 4 PLC ± - ANGLES ± - - FINISH -		NAME	MODULAR PLUG ASSEMBLY, 6 POSITION, ROUND CABLE			
0 PLC ± - 1 PLC ± - 2 PLC ± - 3 PLC ± - 4 PLC ± - ANGLES ± - - FINISH -		PRODUCT SPEC	108-1163		SIZE	A2
MATERIAL -		APPLICATION SPEC	114-6016		CAGE CODE	00779
- 1		WEIGHT	-		DRAWING NO	554710
- 1		CUSTOMER DRAWING			RESTRICTED TO	-
		SCALE	4:1		SHEET	1 of 1
		REV	R			