

5

4

3

2

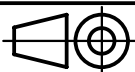
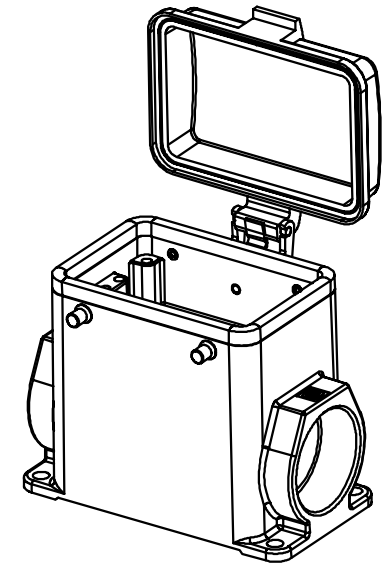
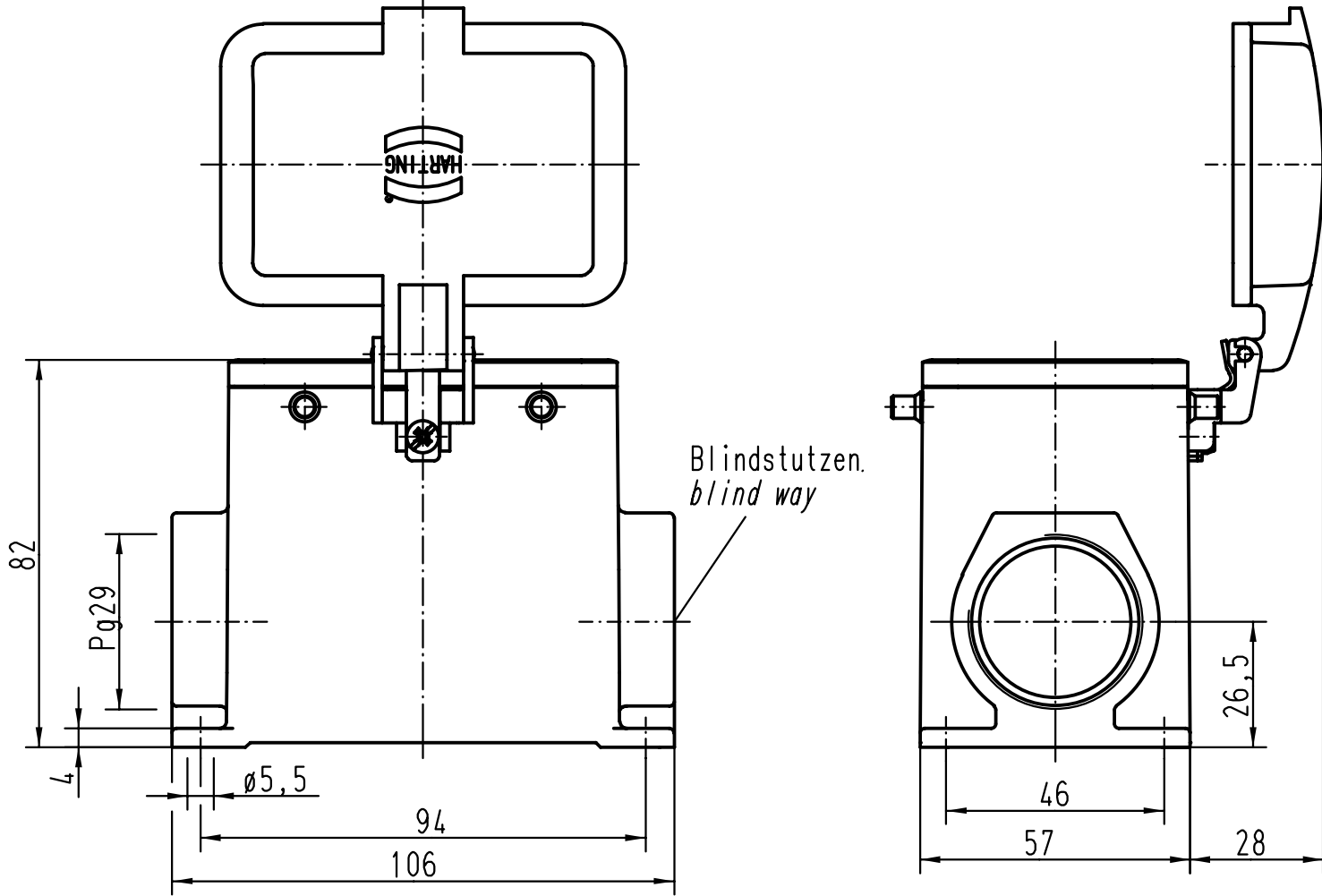
1

D

C

B

A



All Dimensions in mm  
Original Size DIN A 4

Techn. Character.

Nicht tolerierte Masse/ Free size tolerances

			Dat.	Name	Maststab/Scale ./.
			Detail.	10.06.99 PL	
			Insp.	Sdt	
			Stand.		
28188	10.08.00	Gä	HARTING KGaA D-32339 ESPELKAMP		
25897					
Mod.	Dat.	Name			



**Han 32A-asg1-K-29**  
 Sockelgehäuse mit 1 Kabelausgang u. Kunststoffkappe/  
 housings surface mounting 1 side-entry  
 with thermoplastic cover

**TB 09 20 032 0221**

Sub. TB 09 20 032 022. v. 01.03.93

Blatt/ page

**09 20 032 0221****Housing or Han Snap**

other series

Hoods/housings variants	Standard hoods/housings
Size of hood/housing	32 A
Series	Staf
Number of contacts	40 poles without PE
Used housing	One side entry, surface mount.
Housing or Han Snap type	Housing (bulkhead/surface)
Locking	Two levers on the hood
Type	High construction
Cable entry protection	Pg 29
Cover	Thermoplastic cover
Housing material	Metal

[Inquiry](#)

The data sheet is up to date

2D files

[PDF](#)[DXF](#)© Copyright 1999-2000 Harting KGaA and its licensors - Any suggestions and bug reports are welcome at: [HARKIS@harting.com](mailto:HARKIS@harting.com)