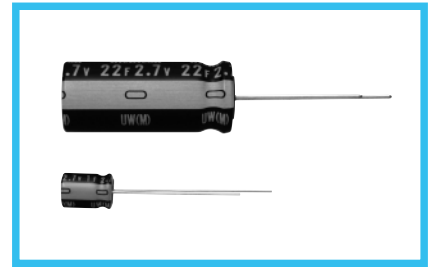
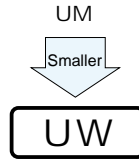


UW series Radial Lead Type, High Voltage, Smaller-Sized

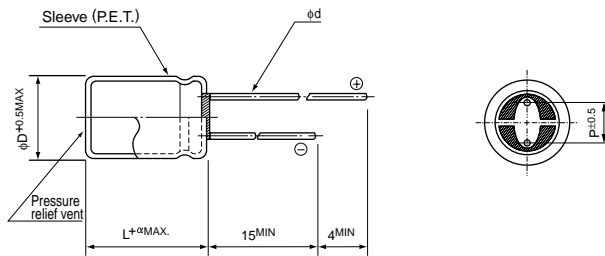
- High voltage type (2.7V).
- One rank smaller case sized than UM series.
- Wide temperature range (− 25 to +70°C).
- Compliant to the RoHS directive (2002/95/EC).



Specifications

Item	Performance Characteristics							
Category Temperature Range	− 25 to +70°C							
Rated Voltage	2.7V							
Rated Capacitance Range	1 to 82F See Note							
Capacitance Tolerance	±20% , 20°C							
Leakage Current	0.5C (mA) [C : Rated Capacitance(F)] (After 30 minutes' application of rated voltage, 2.7V)							
Stability at Low Temperature	Capacitance (− 25°C) / Capacitance (+20°C) ×100 ≥ 70%							
ESR, DCR*	Refer to the list below (20°C). *DC internal resistance							
Endurance	The specifications listed at right shall be met when the capacitors are restored to 20°C after the rated voltage is applied for 1000 hours at 70°C.	<table border="1"> <tr> <td>Capacitance change</td> <td>Within ±30% of the initial capacitance value</td> </tr> <tr> <td>ESR</td> <td>300% or less than the initial specified value</td> </tr> <tr> <td>Leakage current</td> <td>Less than or equal to the initial specified value</td> </tr> </table>	Capacitance change	Within ±30% of the initial capacitance value	ESR	300% or less than the initial specified value	Leakage current	Less than or equal to the initial specified value
	Capacitance change	Within ±30% of the initial capacitance value						
	ESR	300% or less than the initial specified value						
Leakage current	Less than or equal to the initial specified value							
Shelf Life	The specifications listed at right shall be met when the capacitors are restored to 20°C after storing the capacitors under no load for 1000 hours at 70°C.	<table border="1"> <tr> <td>Capacitance change</td> <td>Within ±30% of the initial capacitance value</td> </tr> <tr> <td>ESR</td> <td>300% or less than the initial specified value</td> </tr> <tr> <td>Leakage current</td> <td>Less than or equal to the initial specified value</td> </tr> </table>	Capacitance change	Within ±30% of the initial capacitance value	ESR	300% or less than the initial specified value	Leakage current	Less than or equal to the initial specified value
	Capacitance change	Within ±30% of the initial capacitance value						
	ESR	300% or less than the initial specified value						
Leakage current	Less than or equal to the initial specified value							
Marking	Printed with white color letter on black sleeve.							

Drawing



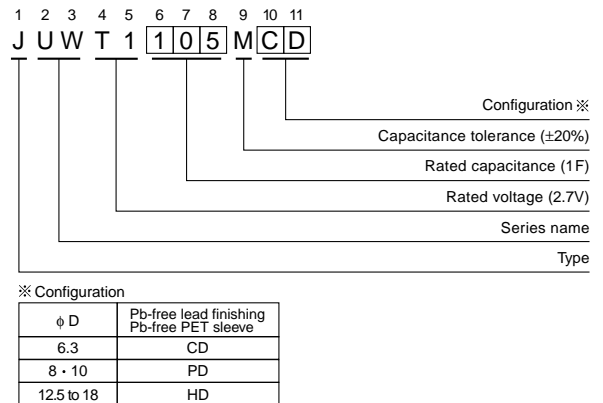
	(mm)					
φD	6.3	8	10	12.5	16	18
P	2.5	3.5	5.0	5.0	7.5	7.5
φd	0.5	0.6	0.6*	0.6*	0.8	0.8

α	(φD < 10) 1.5
	(φD ≥ 10) 2.0

* In case L>25 for the φ10 and φ12.5 dia unit, lead dia φd=0.8

• Please refer to page 20 about the end seal configuration.

Type numbering system (Example : 2.7V 1F)



Dimensions

Rated Voltage (Code)	Rated Capacitance (F)	Code	ESR (Ω) (at 1kHz)	DCR※ Typical (Ω)	Case size φ D × L (mm)
2.7V (T1)	1	105	4	4	6.3 × 9
	1.5	155	3	2.5	8 × 11.5
	2.7	275	2	1.2	8 × 20
	4.7	475	1	0.8	10 × 20
	6.8	685	0.8	0.7	12.5 × 20
	12	126	0.4	0.6	10 × 31.5
	22	226	0.3	0.4	12.5 × 31.5
	33	336	0.2	0.28	16 × 31.5
	47	476	0.2	0.22	18 × 31.5
82	826	0.1	0.13	18 × 40	

※ The listed DCR value is typical and therefore not a guaranteed value.

Note :

The capacitance calculated from discharge time (ΔT) with constant current (i) after 30minute charge with rated voltage (2.7V).

The discharge current (i) is 0.01 × rated capacitance (F).

The discharge time (ΔT) measured between 2V and 1V with constant current.

The capacitance calculated below.

$$\text{Capacitance (F)} = i \times \Delta T$$

Mouser Electronics

Authorized Distributor

Click to View Pricing, Inventory, Delivery & Lifecycle Information:

[Nichicon:](#)

[JUWT1126MPD](#) [JUWT1155MPD](#) [JUWT1226MHD](#) [JUWT1275MPD](#) [JUWT1336MHD](#) [JUWT1475MPD](#)
[JUWT1476MHD](#) [JUWT1685MHD](#) [JUWT1826MHD](#) [JUWT1105MCD](#)