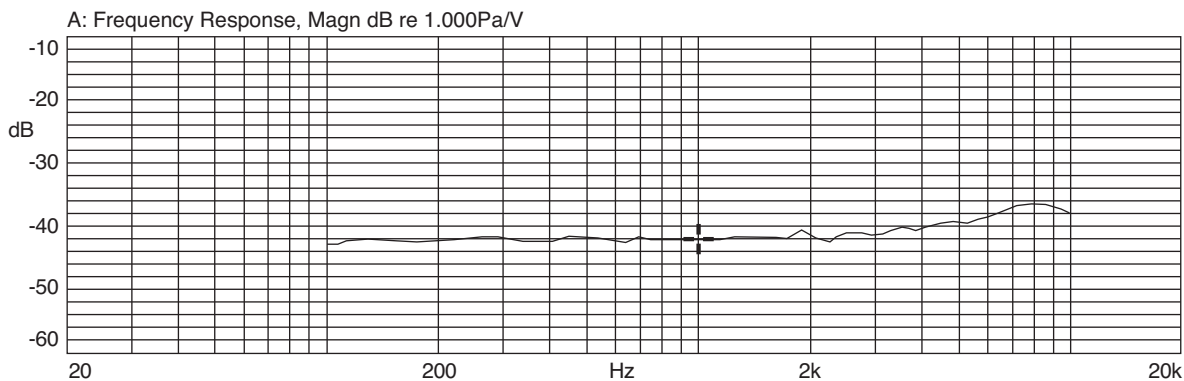
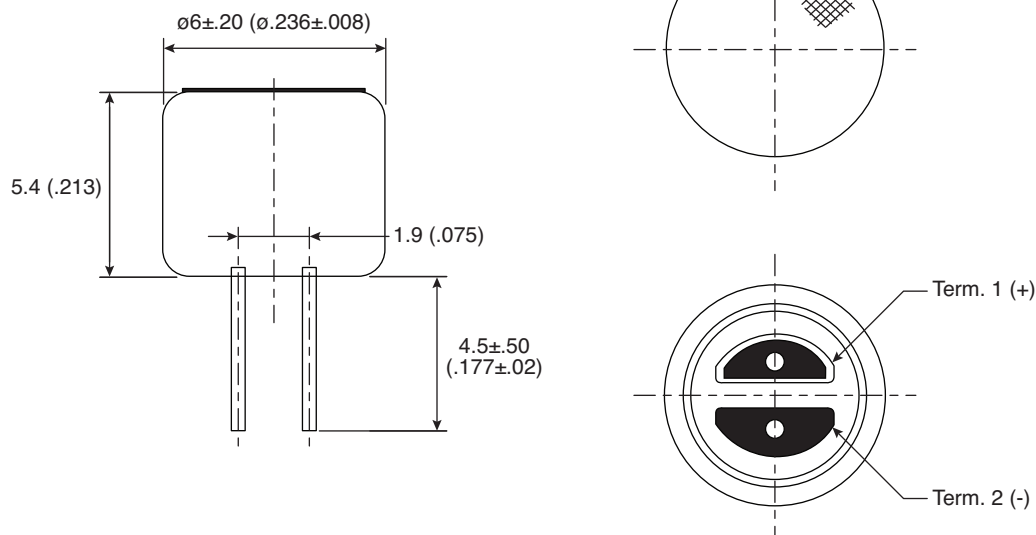


**Part Number:**

254-ECM6443-RO

**Electret Condenser Microphone**



KT-400498

**Electrical Specifications:**

- Sensitivity:  $-44 \pm 3$ dB
- Output Impedance: 2.2K $\Omega$  (max.)
- Frequency Range: 70-18,000Hz
- Standard Operation Voltage: 2.0V
- Current Consumption: 0.5mA (max.)
- S/N Ratio:  $>58$ dB

**Mechanical Specifications:**

- Operating temperature:  $-25^{\circ}\text{C} \sim +70^{\circ}\text{C}$
- Storage temperature:  $-40^{\circ}\text{C} \sim +70^{\circ}\text{C}$

**Note:**

- RoHS Compliant

# Mouser Electronics

Authorized Distributor

Click to View Pricing, Inventory, Delivery & Lifecycle Information:

[Kobitone:](#)

[254-ECM6443-RO](#)