

max. 204 m<sup>3</sup>/h

# DC axial fans

Series 4300 119 x 119 x 32 mm



### Highlights:

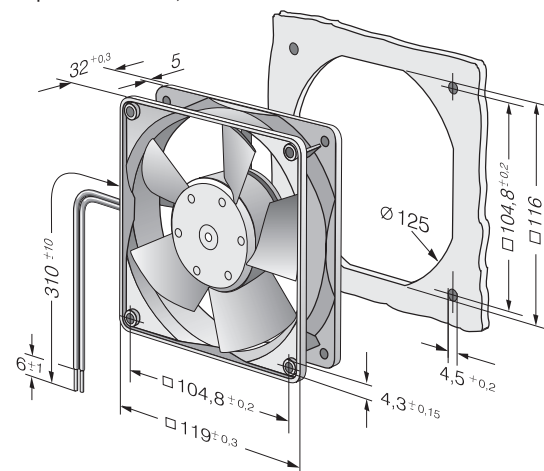
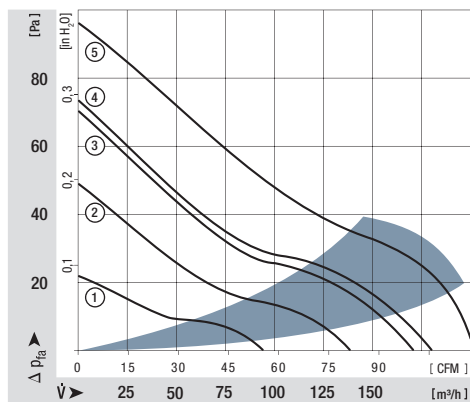
- Ball bearings and sleeve bearings available.
- Optional Vario-Pro: Highly adaptable software configuration of the fan enables a tailor-made solution to the specific requirements of your applications

### General characteristics:

- Material: fibreglass-reinforced plastic. Impeller PA, housing PBT.
- Fully integrated electronic commutation.
- Protected against reverse polarity and locking.
- Connection via single strands AWG 22, TR 64. Bared and tin-plated.
- Air exhaust over struts. Direction of rotation clockwise, seen on rotor.
- Mass: 220 g.

Nominal data		Air flow	Air flow	Nominal voltage	Voltage range	Sound pressure level	Sound power level	Sinter sleeve bearings Ball bearings	Power input	Nominal speed	Temperature range	Service life L <sub>10</sub> (40 °C) ebm-papst Standard	Service life L <sub>10</sub> (T <sub>max</sub> ) ebm-papst Standard	Life expectancy L <sub>10</sub> <sup>Δ</sup> (40 °C) see P. 15	Curve	Specials
Type	m <sup>3</sup> /h	CFM	VDC	VDC	dB(A)	Bel(A)	□ / ■	Watts	RPM	°C	Hours	Hours	P. 110-116			
4312 GL	95	55,9	12	6...15	30	4,3	□	1,2	1 550	-20...+75	80 000 / 35 000	157 500	1			
4312 L	95	55,9	12	6...15	30	4,3	■	1,2	1 550	-20...+75	80 000 / 35 000	157 500	1			
4312 GM	140	82,4	12	6...15	39	5,3	□	2,6	2 300	-20...+75	70 000 / 30 000	135 000	2			
4312 M	140	82,4	12	6...15	39	5,3	■	2,6	2 300	-20...+75	70 000 / 30 000	135 000	2	/12		
4312 G	170	100,1	12	6...15	45	5,8	□	5,0	2 800	-20...+75	62 500 / 27 500	122 500	3			
4312	170	100,1	12	6...15	45	5,8	■	5,0	2 800	-20...+75	62 500 / 27 500	122 500	3	/2/19		
4312-179	204	120,1	12	6...13,2	51	6,4	■	8,5	3 400	-20...+75	47 500 / 20 000	90 000	5			
4314 L	95	55,9	24	12...28	30	4,3	■	1,2	1 550	-20...+75	80 000 / 35 000	157 500	1			
4314 M	140	82,4	24	12...28	39	5,3	■	2,6	2 300	-20...+75	70 000 / 30 000	135 000	2			
4314 G	170	100,1	24	12...28	45	5,8	□	5,0	2 800	-20...+75	62 500 / 27 500	122 500	3			
4314	170	100,1	24	12...28	45	5,8	■	5,0	2 800	-20...+75	62 500 / 27 500	112 500	3	/2/12		
4314-147	180	105,9	24	12...28	47	6,1	■	5,8	3 000	-20...+75	57 500 / 25 000	112 500	4			
4314-180	204	120,1	24	12...26,5	51	6,4	■	9,5	3 400	-20...+75	45 000 / 20 000	90 000	5			
4318 M	140	82,4	48	36...56	39	5,3	■	3,5	2 300	-20...+75	70 000 / 30 000	135 000	2			
4318	170	100,1	48	36...53	45	5,8	■	5,0	2 800	-20...+75	62 500 / 27 500	112 500	3	/2/17		

Rotor protrusion max. 0,4 mm.



# Mouser Electronics

Authorized Distributor

Click to View Pricing, Inventory, Delivery & Lifecycle Information:

[ebm-papst:](#)

[4314M](#) [4312](#) [4312M](#) [4314](#) [4312L](#) [4374R-136](#) [4314/12](#) [4312-179](#) [4312G](#) [4312GL](#) [4312GM](#) [4312S](#) [4314-147](#)  
[4314-180](#) [4314G](#) [4318](#) [4318/2](#) [4314HR](#) [4314S](#)