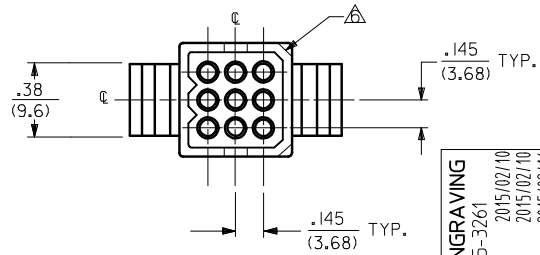
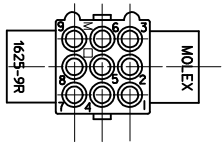


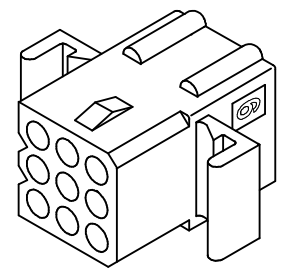
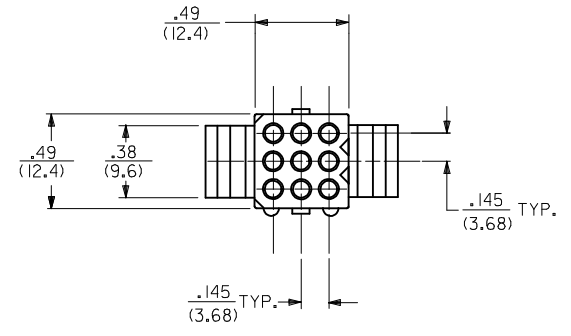
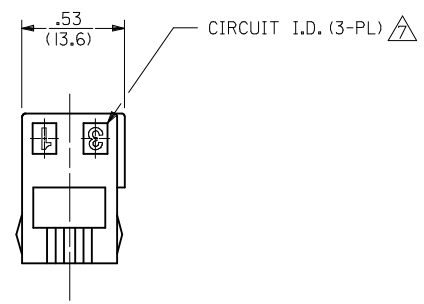
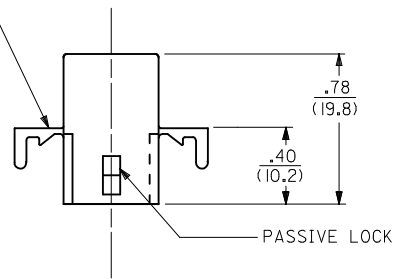
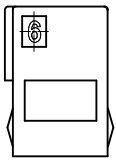
PLUG



| | | | | | | | | | | |
|---|---|--|-------------|--------------------------|--|--------------|--|------------------------|------------|--|
| CORRECT ENGRAVING EC NO: UCP2015-3261 DRWN:MKIPPER 2015/02/10 CHKD:NGUYEN 2015/02/10 APPR:FSMITH 2015/02/16 | QUALITY SYMBOLS $\nabla = 0$ $\nabla = 0$ $\nabla = 0$ | GENERAL TOLERANCES (UNLESS SPECIFIED) | | DIMENSION STYLE IN/MM | | SCALE 1:1 | DESIGN UNITS INCH | THIRD ANGLE PROJECTION | | |
| | | 4 PLACES \pm --- \pm --- | mm | INCH | DRAWN BY | DATE | TITLE .062/(1.57) HOUSINGS PLUG & RECEPTACLE 9 CKT., .145/(3.68) CTRS | | | |
| | | 3 PLACES \pm --- \pm .010 | | | JJS | 1988/02/05 | | | | |
| | | 2 PLACES \pm 0.25 \pm .014 | | | CHECKED BY | DATE | MATERIAL NO. DOCUMENT NO. SHEET NO. SEE CHART SD-1625-9* 1 OF 3 | | | |
| | | 1 PLACE \pm 0.36 \pm --- | | | RW | 1988/02/05 | | | | |
| 0 PLACE \pm --- \pm --- | | | APPROVED BY | DATE | THIS DRAWING CONTAINS INFORMATION THAT IS PROPRIETARY TO MOLEX INCORPORATED AND SHOULD NOT BE USED WITHOUT WRITTEN PERMISSION | | | | | |
| ANGULAR $\pm 1/2^\circ$ | | DRAFT WHERE APPLICABLE MUST REMAIN WITHIN DIMENSIONS | | RAS | | | | | 1988/02/05 | |



OPTIONAL MOUNTING EARS
SEE DETAIL 3 OR 4
FOR VERSIONS AVAILABLE



RECEPTACLE

| | | | | | |
|--|---|---|---|--------------------------------------|------------------------|
| SEE SHEET 1 EC NO: UCP2015-3261 DRW:MKLPPER 2015/02/10 CHKD:NGUYEN 2015/02/10 APPR:FSMITH 2015/02/16 | QUALITY SYMBOLS ▽=0 ▽=0 ▽=0 | GENERAL TOLERANCES (UNLESS SPECIFIED) mm INCH 4 PLACES ± --- ± --- 3 PLACES ± --- ± .010 2 PLACES ± 0.25 ± .014 1 PLACE ± 0.36 ± --- 0 PLACE ± --- ± --- ANGULAR ±1/2° | DIMENSION STYLE IN/MM DRAWN BY DATE JJS 1988/02/05 CHECKED BY DATE RW 1988/02/05 APPROVED BY DATE RAS 1988/02/05 | SCALE 1:1 DESIGN UNITS INCH | THIRD ANGLE PROJECTION |
| | DRAFT WHERE APPLICABLE MUST REMAIN WITHIN DIMENSIONS | MATERIAL NO. SEE CHART | DOCUMENT NO. SD-1625-9* | SHEET NO. 2 OF 3 | |
| | TITLE .062/(1.57) HOUSINGS PLUG & RECEPTACLE 9 CKT., .145/(3.68) CTRS molex | | | | |
| | THIS DRAWING CONTAINS INFORMATION THAT IS PROPRIETARY TO MOLEX INCORPORATED AND SHOULD NOT BE USED WITHOUT WRITTEN PERMISSION | | | | |

9 CIRCUIT PLUG

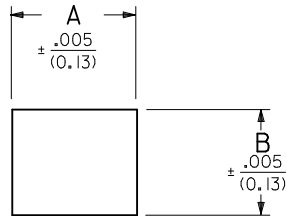
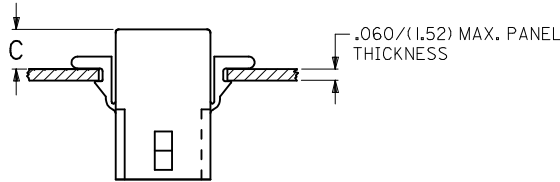
| PART NO. | ENG. NO. | EARS | MATERIAL | COLOR |
|--------------|------------|----------|----------|---------|
| 03-06-2091 | 1625-9P | STANDARD | A | NATURAL |
| 03-06-2092 | 1625-9P1 | NONE | A | NATURAL |
| X 23-06-2091 | 1625-9P-C | STANDARD | C | NATURAL |
| X 23-06-2092 | 1625-9P1-C | NONE | C | NATURAL |
| X 04-06-6091 | 1625-9P1-B | NONE | B | NATURAL |
| 03-06-7091 | 1625-9PBK | STANDARD | A | BLACK |

X=NOT TOOLED

9 CIRCUIT RECEPTACLE

| PART NO. | ENG. NO. | EARS | MATERIAL | COLOR |
|--------------|------------|----------|----------|---------|
| 03-06-1091 | 1625-9R | STANDARD | A | NATURAL |
| 03-06-1092 | 1625-9R1 | NONE | A | NATURAL |
| X 23-06-1092 | 1625-9R1-C | NONE | C | NATURAL |
| 03-06-6092 | 1625-9R1BK | NONE | A | BLACK |
| 50-36-1871 | 1625-9R4 | PREBENT | A | NATURAL |
| X 50-36-1872 | 1625-9R4-C | PREBENT | C | NATURAL |

X=NOT TOOLED



| | | | | |
|--------|-----------------|-----------------|--------------------------|-------------------------|
| RECEP. | .650 (16.51) | .552 (14.02) | .21 (5.3) | .22 (5.6) |
| PLUG | .752 (19.10) | .615 (15.62) | .20 (5.1) | .21 (5.3) |
| PART | DIM. A | DIM. B | DIM. C (STANDARD EAR) | DIM. C (PREBENT EAR) |

RECOMMENDED HOLE PATTERN

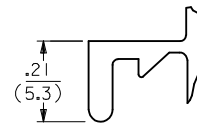
NOTES:

- MATERIAL CODES:
A-NYLON TYPE 6/6, 94V-2
B-NYLON TYPE 6/6, 94V-0
C-POLYPROPYLENE, 94V-0
- FINISH: NONE
- PRODUCT SPECIFICATION: PS-02-06
- PACKAGING SPECIFICATION: PK-1625-003
- HOUSINGS OF USE WITH MOLEX .062 DIAMETER TERMINALS.

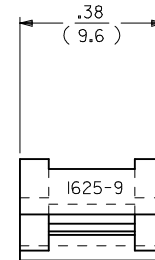
SOME PARTS MAY HAVE THIS CORNER CHAMFERED.

ETCHED CIRCUIT I.D. NUMBERS ON HOUSING MAY OR MAY NOT BE PRESENT.

- PARTS CONFORM TO CLASS B REQUIREMENTS OF COSMETIC SPECIFICATION PS-45499-002.



DETAIL 3
STANDARD MOUNTING EAR
(SCALE 4:1)



DETAIL 4
PREBENT MOUNTING EAR
(SCALE 4:1)

| REV | DESCRIPTION | QUALITY SYMBOLS | GENERAL TOLERANCES (UNLESS SPECIFIED) | | DIMENSION STYLE | | SCALE | DESIGN UNITS | THIRD ANGLE PROJECTION |
|---|--|-------------------|---------------------------------------|------|-----------------------------------|------|---|--------------|------------------------|
| | | | mm | INCH | IN/MM | DATE | | | |
| S3 | SEE SHEET 1 EC NO: UCP2015-3261 DRAWN BY: DRWIN/KIPPER CHKD: NGUYEN APPR: FSMITH 2015/02/10 2015/02/10 2015/02/16 | = 0 = 0 = 0 | 4 PLACES ± --- ± --- | | DRAWN BY: JJS DATE: 1988/02/05 | | 1:1 | INCH | |
| | | | 3 PLACES ± --- ± .010 | | CHECKED BY: RW DATE: 1988/02/05 | | | | |
| | | | 2 PLACES ± 0.25 ± .014 | | APPROVED BY: RAS DATE: 1988/02/05 | | .062/(1.57) HOUSINGS PLUG & RECEPTACLE 9 CKT., .145/(3.68) CTRS molex SD-1625-9* | | |
| | | | 1 PLACE ± 0.36 ± --- | | MATERIAL NO. | | | | |
| | | | 0 PLACE ± --- ± --- | | DOCUMENT NO. | | | | |
| DRAFT WHERE APPLICABLE MUST REMAIN WITHIN DIMENSIONS | | | ANGULAR ±1/2° | | SEE CHART | | SHEET NO. 3 OF 3 | | |
| THIS DRAWING CONTAINS INFORMATION THAT IS PROPRIETARY TO MOLEX INCORPORATED AND SHOULD NOT BE USED WITHOUT WRITTEN PERMISSION | | | | | | | | | |