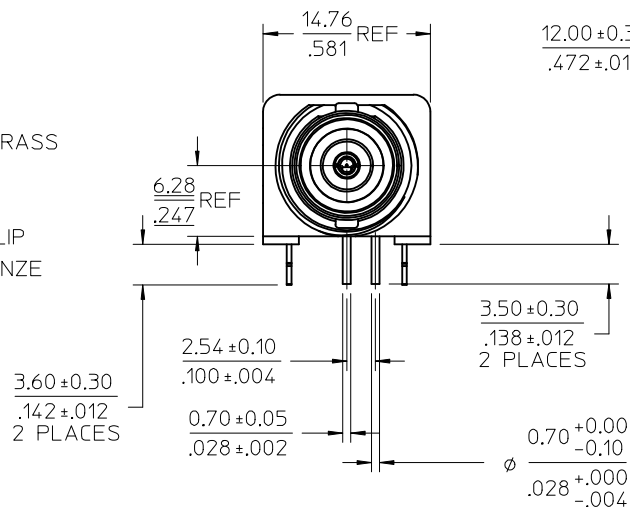
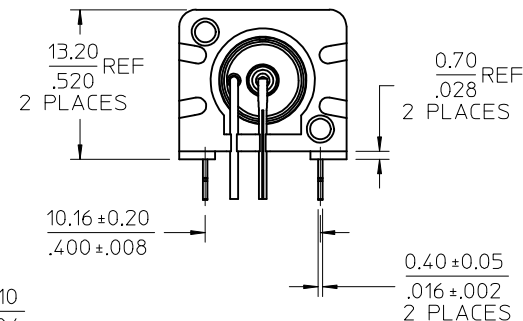
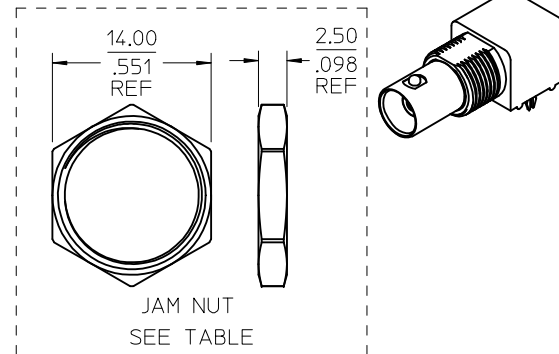
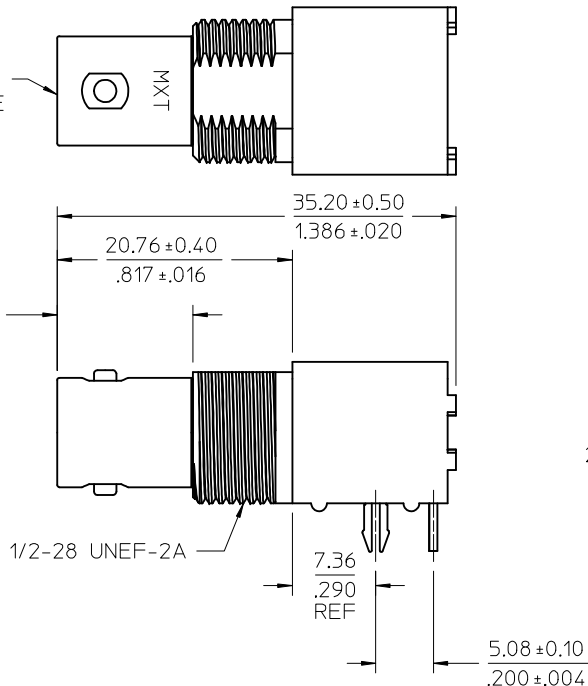


MATERIALS AND FINISHES

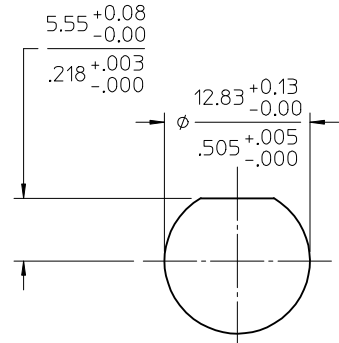
- BODY ZINC ALLOY
PLATED NICKEL
- CENTER CONTACT PHOSPHOR BRONZE
PLATED GOLD
- INSULATOR POLYPROPYLENE
- HOUSING P.B.T.
COLOR BLACK
- SOLDER TAIL BRASS
PLATED TIN
- BOARD LOCK CLIP
PHOSPHOR BRONZE
PLATED TIN



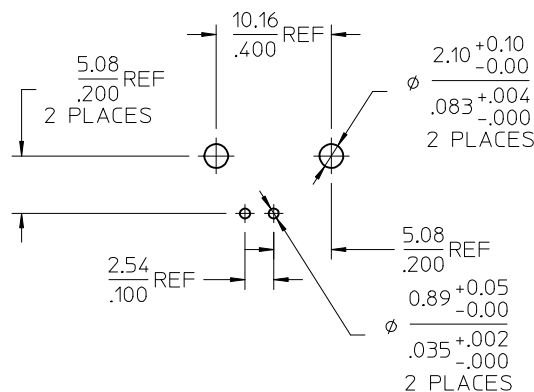
BNC JACK
INTERFACE



73171-3061	TRAY PACK, JAM NUT BULK	INCLUDED
73171-3060	73100-0167, ONE PER BAG	NOT INCLUDED
73100-0167	TRAY PACK	NOT INCLUDED
PART NO.	PACKAGING	JAM NUT
		89611-0450



RECOMMENDED MOUNTING HOLE
RECOMMENDED MOUNTING
TORQUE: 0.56 N-m (5.0 IN-LBS)
PANEL THICKNESS: 5.5 (.217) MAX



RECOMMENDED PCB LAYOUT

PS-89675-1030	ELECTRO/MECH PERFORM
SPECIFICATION	DESCRIPTION

CHG: ADDED TABULATION FOR JAM NUT.	EC NO: URF2015-0140	2014/09/23
	DRWINAROBERTSON	2014/09/23
	CHKD:SS	2014/09/23
	APPR:WSPINK	2014/09/25
REV	DESCRIPTION	
B4		

QUALITY SYMBOLS	GENERAL TOLERANCES (UNLESS SPECIFIED)
▽=0	mm INCH
▽=0	4 PLACES ± --- ± ---
	3 PLACES ± --- ± ---
	2 PLACES ± --- ± ---
	1 PLACE ± --- ± ---
	ANGULAR ± ---°
	DRAFT WHERE APPLICABLE MUST REMAIN WITHIN DIMENSIONS

DIMENSION STYLE	SCALE	DESIGN UNITS	THIRD ANGLE PROJECTION
MM/IN		METRIC	
DRAWN BY	DATE	TITLE	
IRIS	1995/02/14	BNC JACK R/A PCB TH COMMERCIAL 50 OHM BNC-J/RA/PCB	
CHECKED BY	DATE		
APPROVED BY	DATE		
MATERIAL NO.	DOCUMENT NO.	MOLEX INCORPORATED	
SEE TABLE	SD-73100-0167		
SIZE	THIS DRAWING CONTAINS INFORMATION THAT IS PROPRIETARY TO MOLEX INCORPORATED AND SHOULD NOT BE USED WITHOUT WRITTEN PERMISSION		SHEET NO. 1 OF 1