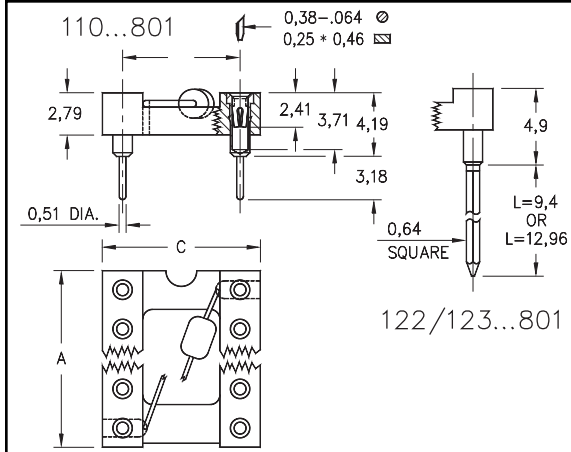




DUAL-IN-LINE SOCKETS With Integral Decoupling Capacitor Open Frame

Series 110, 122, 123...801



- Low profile DIP sockets with integral decoupling capacitor: .1μ F 20%-50V multi-layer ceramic epoxy encapsulated. Temp. range: -25° C to +85° C.
- Hi-Rel, 4-finger BeCu #30 contact is rated at 3 amps. See page 218 for details.
- Series 110, 122 and 123 use MM #1001, #0088 or #0089 pins. See pages 136 and 166 for details.
- Insulators are high temperature thermoplastic.



| Total number of pins | Pin Spacing | | | Quantity per tube | Ordering Information | | |
|----------------------|-------------|-------|------|-------------------|----------------------|-------------------------------|---------------------------------|
| | | | | | Solder Tail | 2 Level Wrappost L = 9,4mm | 3 Level Wrappost L = 12,96mm |
| | A | B | C | | | | |
| 14 | 17,7 | 7,62 | 10,1 | 28 | 110-XX-314-41-801000 | 122-XX-314-41-801000 | 123-XX-314-41-801000 |
| 16 | 20,3 | 7,62 | 10,1 | 25 | 110-XX-316-41-801000 | 122-XX-316-41-801000 | 123-XX-316-41-801000 |
| 18 | 22,8 | 7,62 | 10,1 | 22 | 110-XX-318-41-801000 | 122-XX-318-41-801000 | 123-XX-318-41-801000 |
| 20 | 25,3 | 7,62 | 10,1 | 20 | 110-XX-320-41-801000 | 122-XX-320-41-801000 | 123-XX-320-41-801000 |
| 22 | 27,8 | 7,62 | 10,1 | 18 | 110-XX-322-41-801000 | 122-XX-322-41-801000 | 123-XX-322-41-801000 |
| 24 | 30,4 | 7,62 | 10,1 | 16 | 110-XX-324-41-801000 | 122-XX-324-41-801000 | 123-XX-324-41-801000 |
| 28 | 35,5 | 7,62 | 10,1 | 14 | 110-XX-328-41-801000 | 122-XX-328-41-801000 | 123-XX-328-41-801000 |
| 22 | 27,8 | 10,16 | 12,7 | 18 | 110-XX-422-41-801000 | 122-XX-422-41-801000 | 123-XX-422-41-801000 |
| 24 | 30,4 | 15,24 | 17,7 | 16 | 110-XX-624-41-801000 | 122-XX-624-41-801000 | 123-XX-624-41-801000 |
| 28 | 35,5 | 15,24 | 17,7 | 14 | 110-XX-628-41-801000 | 122-XX-628-41-801000 | 123-XX-628-41-801000 |
| 32 | 40,6 | 15,24 | 17,7 | 12 | 110-XX-632-41-801000 | 122-XX-632-41-801000 | 123-XX-632-41-801000 |
| 40 | 50,8 | 15,24 | 17,7 | 10 | 110-XX-640-41-801000 | 122-XX-640-41-801000 | 123-XX-640-41-801000 |

For Electrical, Mechanical & Environmental Data, See pg. 4

XX=Plating Code See Below

For RoHS compliance select \diamond plating code.



| SPECIFY PLATING CODE XX= | 13 \diamond | 93 | 43 \diamond |
|--------------------------|---------------|--------------|---------------|
| Sleeve (Pin) | 0,25μm Au | 5,08μm Sn/Pb | 5,08μm Sn |
| Contact (Clip) | 0,76μm Au | 0,76μm Au | 0,76μm Au |