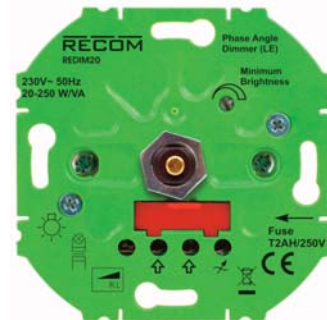
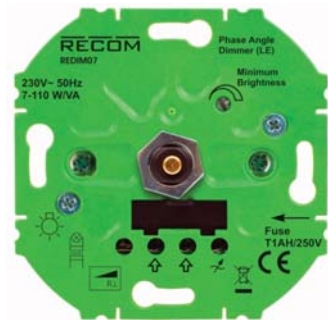


REDIM

LEADING EDGE DIMMER

RECOM
LIGHTING



CERTIFICATION		INPUT	LOAD TYPE	PROTECTION	MODEL	POWER			
CE	✓	115VAC	✗	Dimmable energy-saving lamps	✓	Over-Voltage	✗	REDIM07	7 - 110 W/VA
UL	✗	230VAC	✓	Dimmable LED lamps / drivers	✓	Short-Circuit	✗		
EN	✓	277VAC	✗	LV halogen with magnetic transformers	✓	Over-Load	✓	REDIM20	20-250W/VA
EMC	✓			LV halogen with electronic transformers	✗	Over-Temp.	✓		

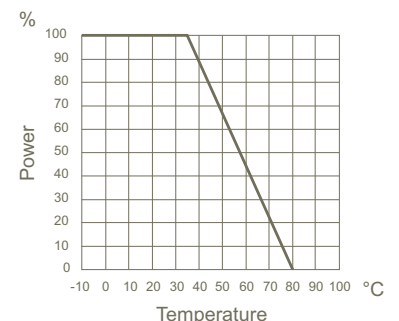
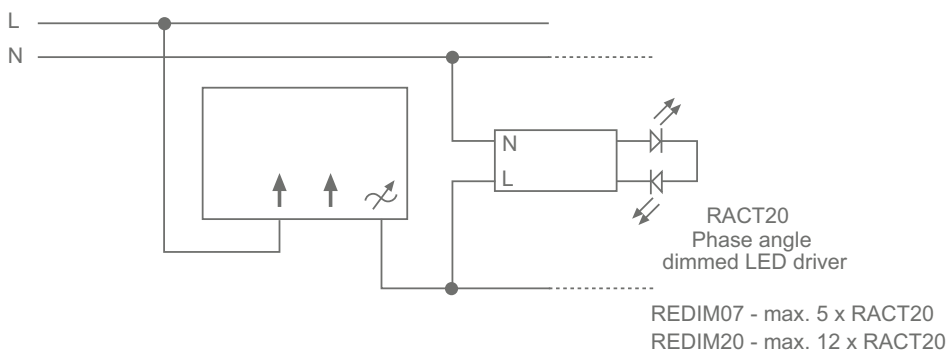
MECHANICAL CHARACTERISTICS

Size	71.5 x 71.5 x 35mm
Weight	70g
Connection	wires from 1.5mm ² up to 2.5m ²

TEMPERATURE CHARACTERISTICS

Operating Temperature	-10°C to +80°C (derating)
Ambient Temperature (T _c)	80°C max.

INSTALLATION



Notes:

- To set the basic brightness, set the actuating button to the left stop (minimum brightness). Now use a screw driver to set the desired basic brightness on the potentiometer. Pursuant to EN60699-2-1 the basic value should be set in such a way that the light visibly glows over the entire load range (at nominal voltage -10%) when it's set to dark position.
- Dimmer designed for RACT20.

Mouser Electronics

Authorized Distributor

Click to View Pricing, Inventory, Delivery & Lifecycle Information:

[RECOM:](#)

[REDIM07](#) [REDIM20](#)