

THE INFORMATION CONTAINED HEREIN IS CONSIDERED "PROPRIETARY" TO BEL FUSE INC. AND SHALL NOT BE COPIED, REPRODUCED OR DISCLOSED WITHOUT THE WRITTEN APPROVAL OF BEL FUSE INC.



LED POLARITY			
PIN 9	PIN 10	PIN 11	COLOR
-	+	/	GREEN
/	+	-	YELLOW

ELECTRICAL CHARACTERISTICS @ 25°C

RETURN LOSS (MIN.)

1MHz-30MHz	-18 dB
60MHz-80MHz	-12 dB

INSERTION LOSS

100KHz TO 100MHz	-1.1 dB
------------------	---------

QCL @ 0.1V, 100KHz

8mA DC BIAS	350µH MIN.
-------------	------------

TURNS RATIO

1CT : 1CT ±3%

XTALK

100KHz TO 100MHz	-35 dB MIN.
------------------	-------------

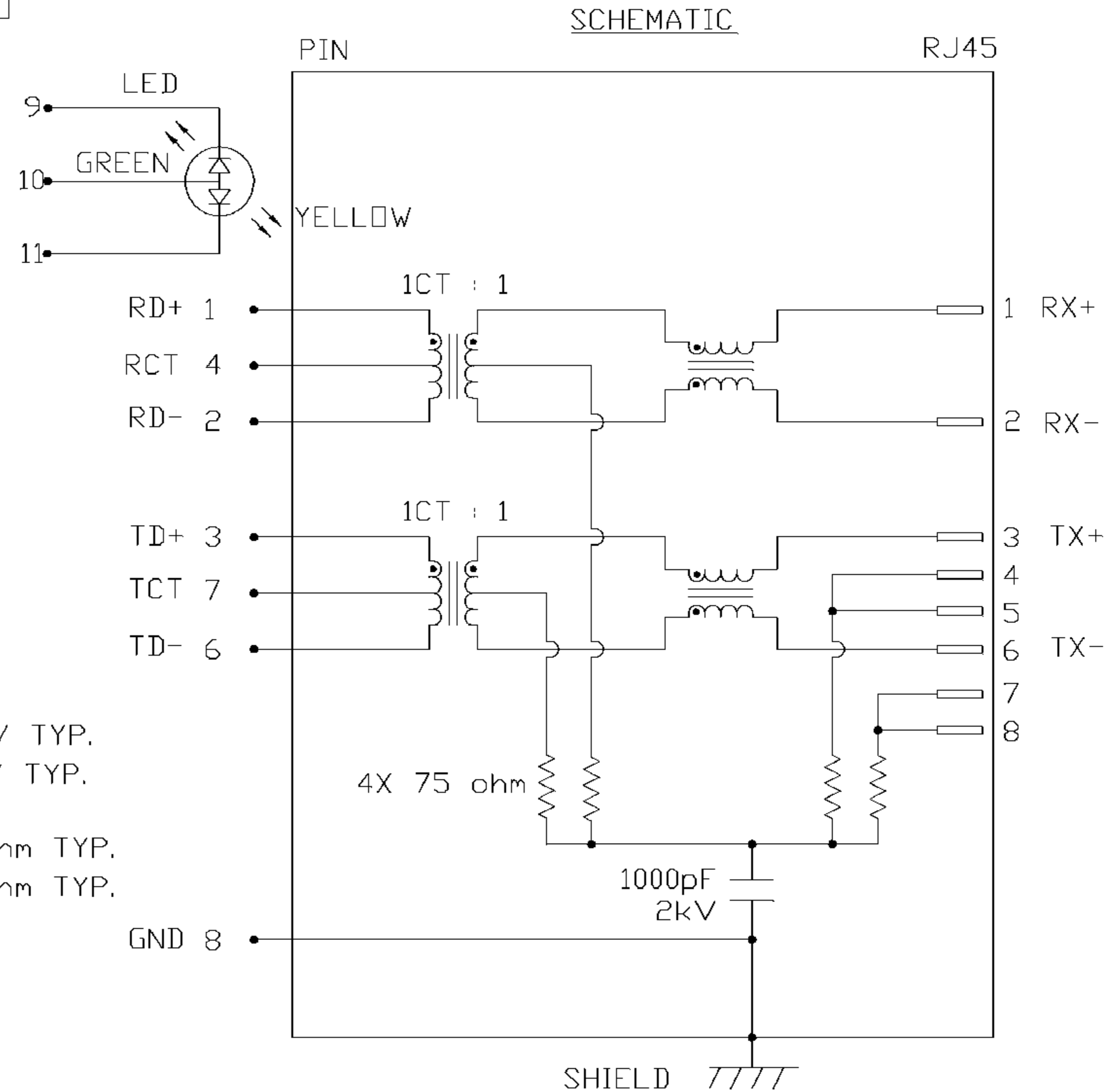
LED

VF (FORWARD VOLTAGE)	IF=20mA	YELLOW	GREEN	2.2V TYP.
		YELLOW		2.1V TYP.

λD (DOMINANT WAVELENGTH)	IF=20mA	YELLOW	GREEN	570nm TYP.
		YELLOW		590nm TYP.

HIPOT (Isolation Voltage): 1500 Vrms

100% OF PRODUCTION TESTED TO COMPLY WITH IEEE 802.3 ISOLATION REQUIREMENTS.

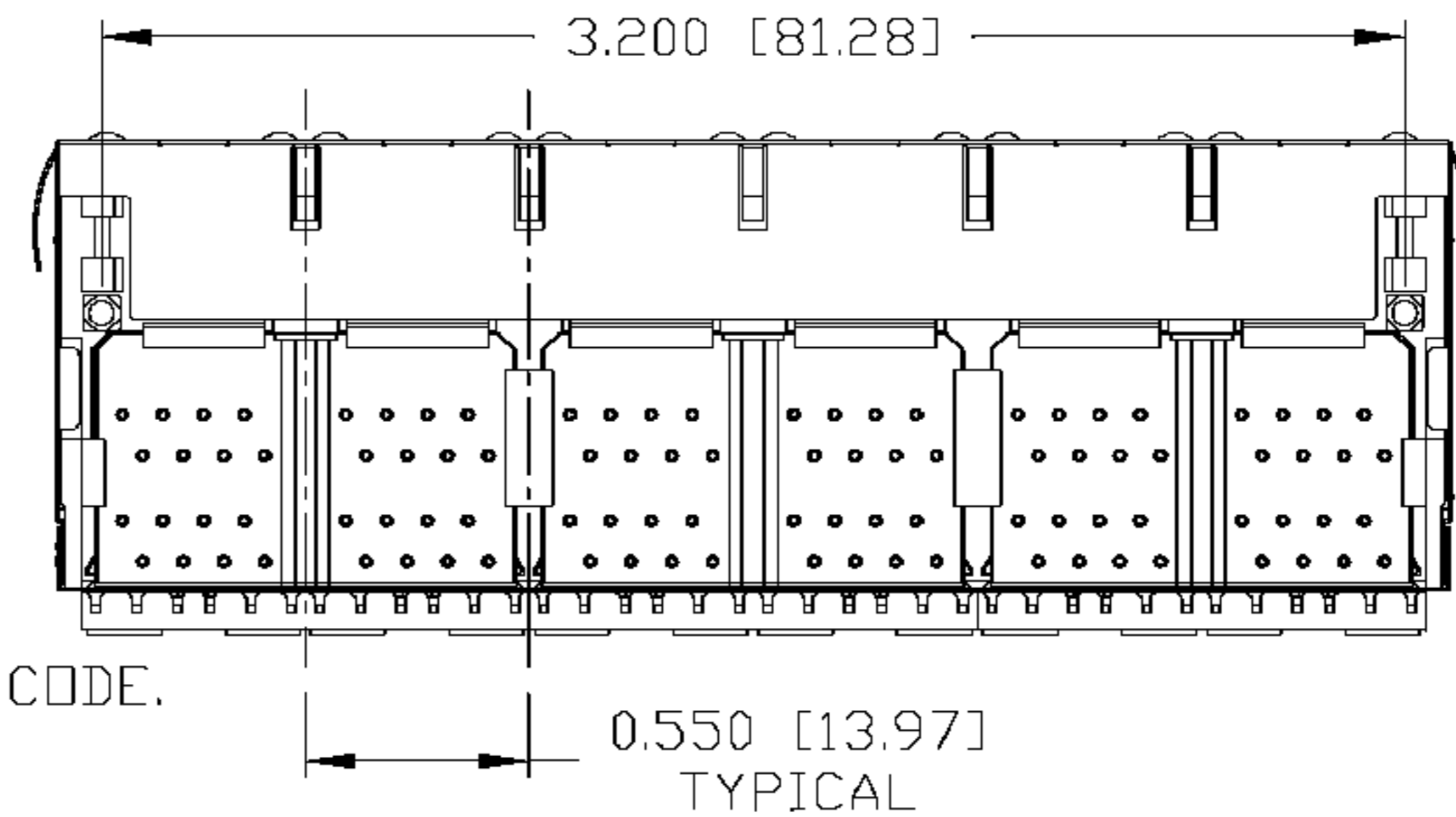
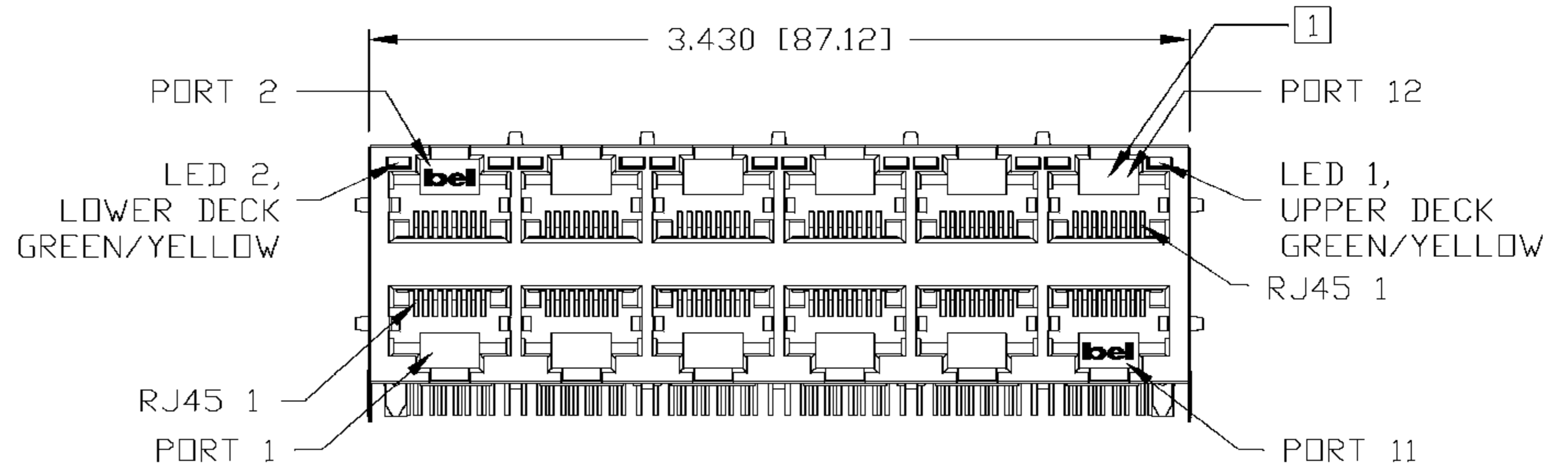
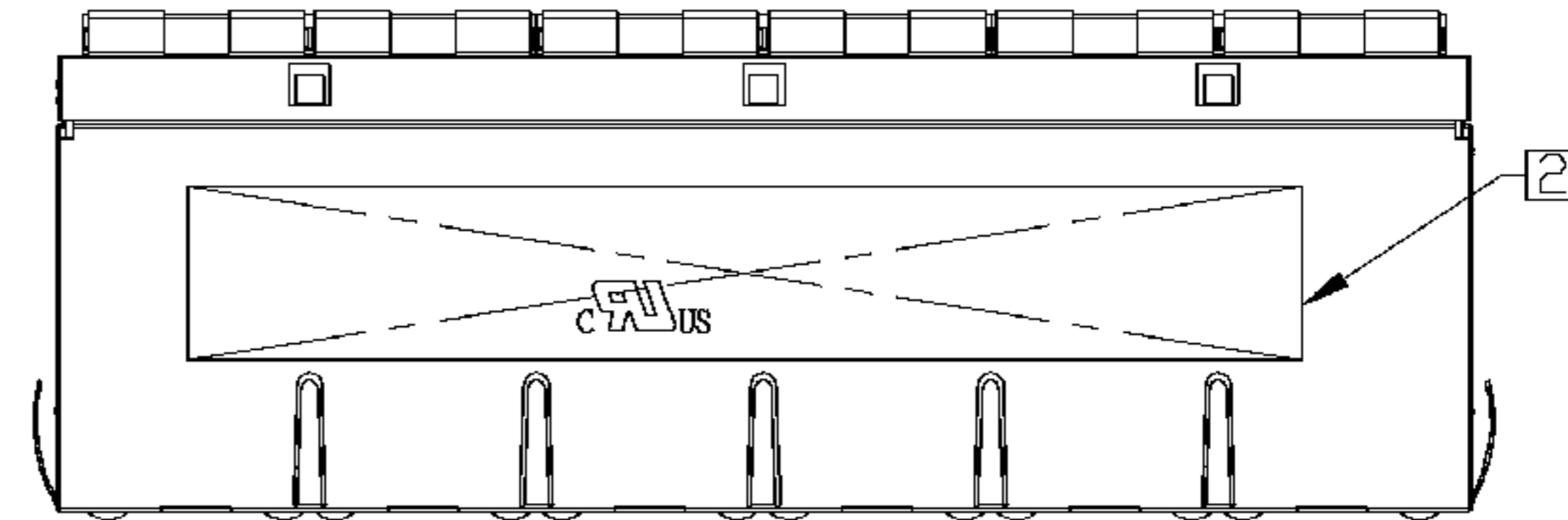
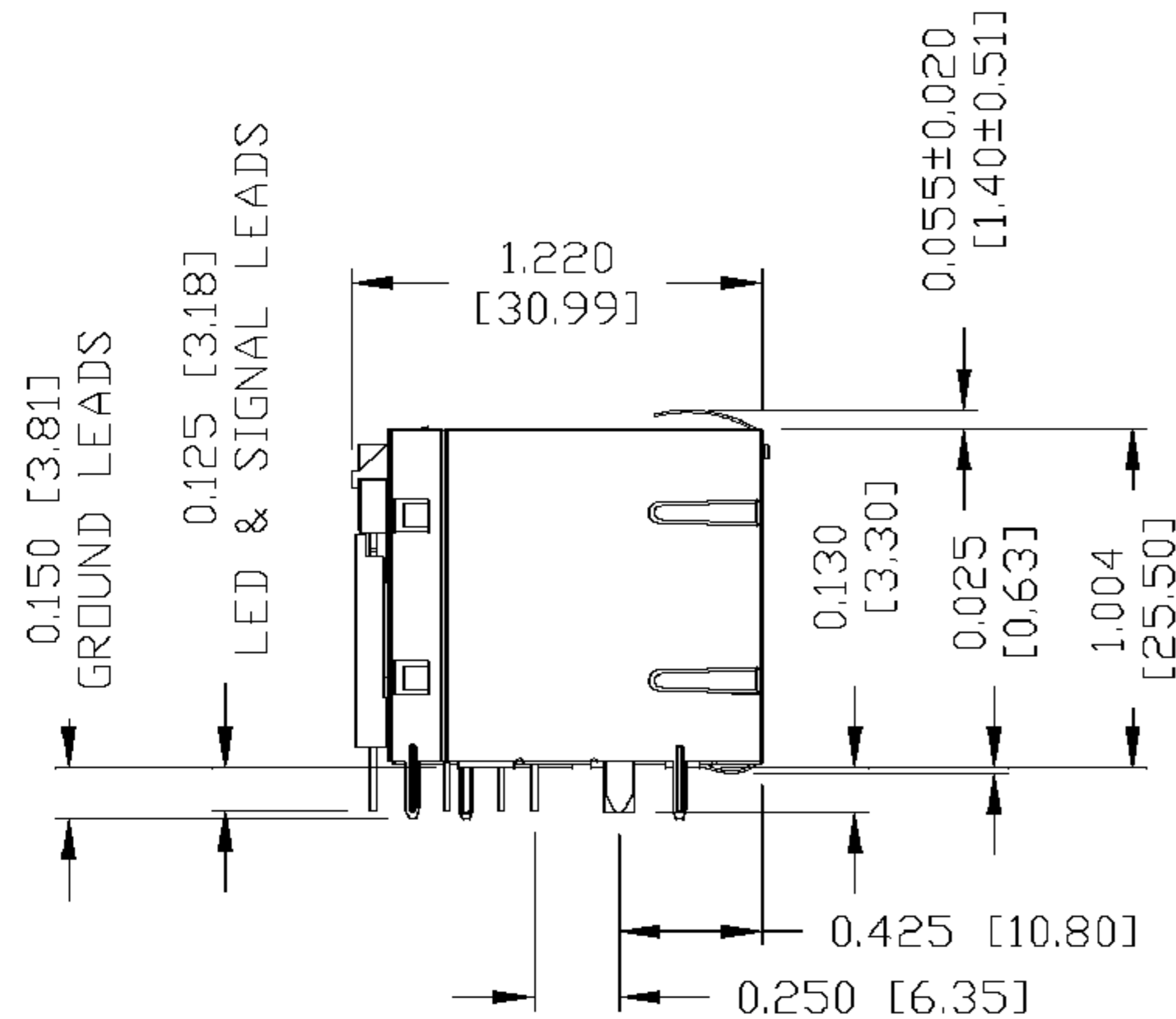


ORIGINATED BY	DATE	TITLE	PART NO. / DRAWING NO.	STANDARD DIM. TOL. IN INCH	[] METRIC DIM. AS REFERENCE
CHOW WANCHUNG	11-22-07	2X6 MagJack® with LED	08102H6R28-F	.X	UNIT : INCH [mm]
DRAWN BY	DATE			.XX	SCALE : N/A
DENG PING	11-22-07	0810-2H6R-28-F	08102H6R28-F_A.DWG	.XXX	REV. : A
					SIZE : A4
					PAGE : 2



THE INFORMATION CONTAINED HEREIN IS CONSIDERED "PROPRIETARY" TO BEL FUSE INC. AND SHALL NOT BE COPIED, REPRODUCED OR DISCLOSED WITHOUT THE WRITTEN APPROVAL OF BEL FUSE INC.

RoHS
2002/95/EC



NOTES:

- PLASTIC HOUSING: THERMOPLASTIC PBT
FLAMMABILITY RATING UL 94V-0
- CONTACT PLATING: 30 MICRO-INCH HARD GOLD PLATING
- OUTPUT PINS: TIN-COATED COPPER WIRE, DIA 0.018 INCH.
- METAL SHIELD: NICKEL PLATED ON COPPER ALLOY.
(ALL GROUND LEADS ARE SOLDER DIPPED)

- [1] JACK CAVITY CONFORMS TO FCC RULES AND REGULATIONS, PART 68 SUBPART F.
- [2] MARK PART WITH MFG LOGO, MFG NAME, PART NUMBER, AND DATE CODE.

RoHS COMPLIANT, PER EU DIRECTIVE 2002/95/EC

UL RECOGNIZED - FILE #E196366 AND E169987.

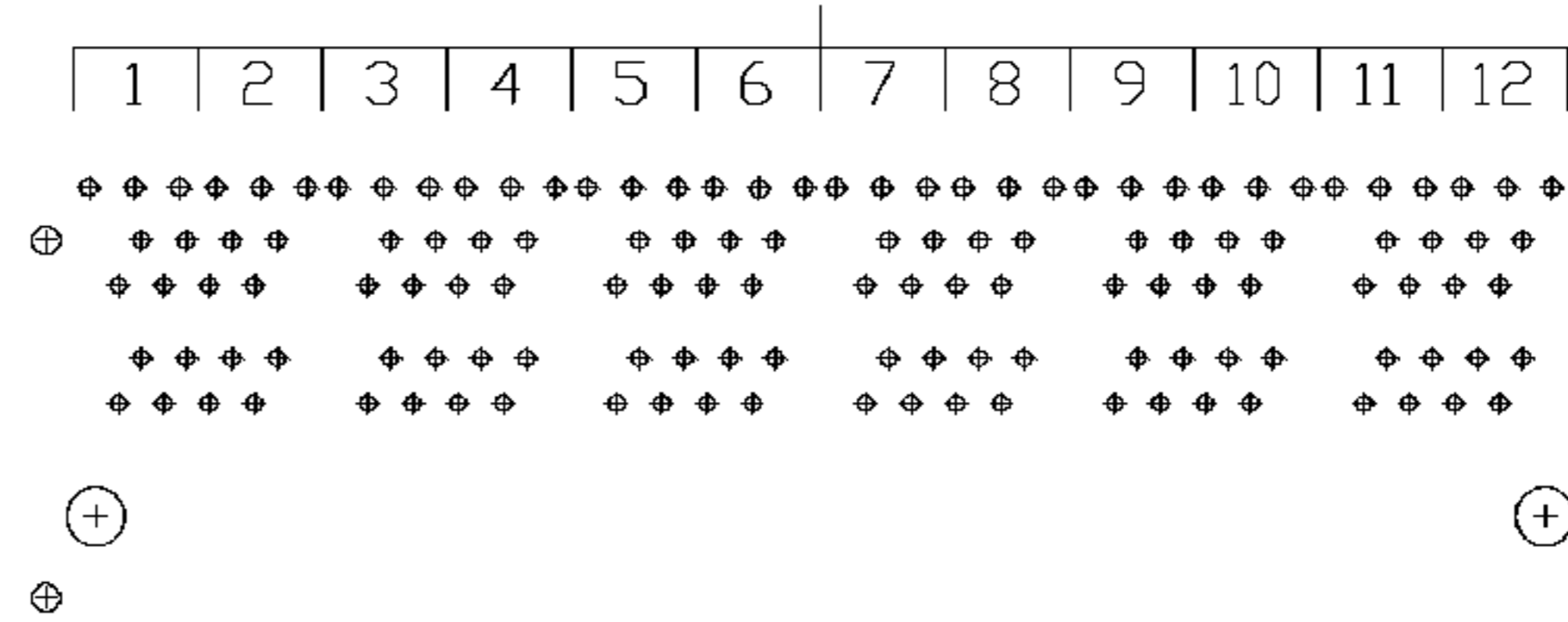
ORIGINATED BY CHEN BILL	DATE 11-22-07	TITLE 2X6 MagJack® with LED 0810-2H6R-28-F	PART NO. / DRAWING NO. 08102H6R28-F	STANDARD DIM. TOL. IN INCH	[] METRIC DIM. AS REFERENCE		 COMPONENTS FOR A CONNECTED PLANET
DRAWN BY LIU QIN	DATE 11-22-07		FILE NAME 08102H6R28-F_A.DWG	.X .XX .XXX	±0.010	UNIT : INCH [mm]	
					SCALE : N/A	SIZE : A4	
					PAGE : 3		

THE INFORMATION CONTAINED HEREIN IS CONSIDERED "PROPRIETARY" TO BEL FUSE INC. AND SHALL NOT BE COPIED, REPRODUCED OR DISCLOSED WITHOUT THE WRITTEN APPROVAL OF BEL FUSE INC.

RoHS
2002/95/EC

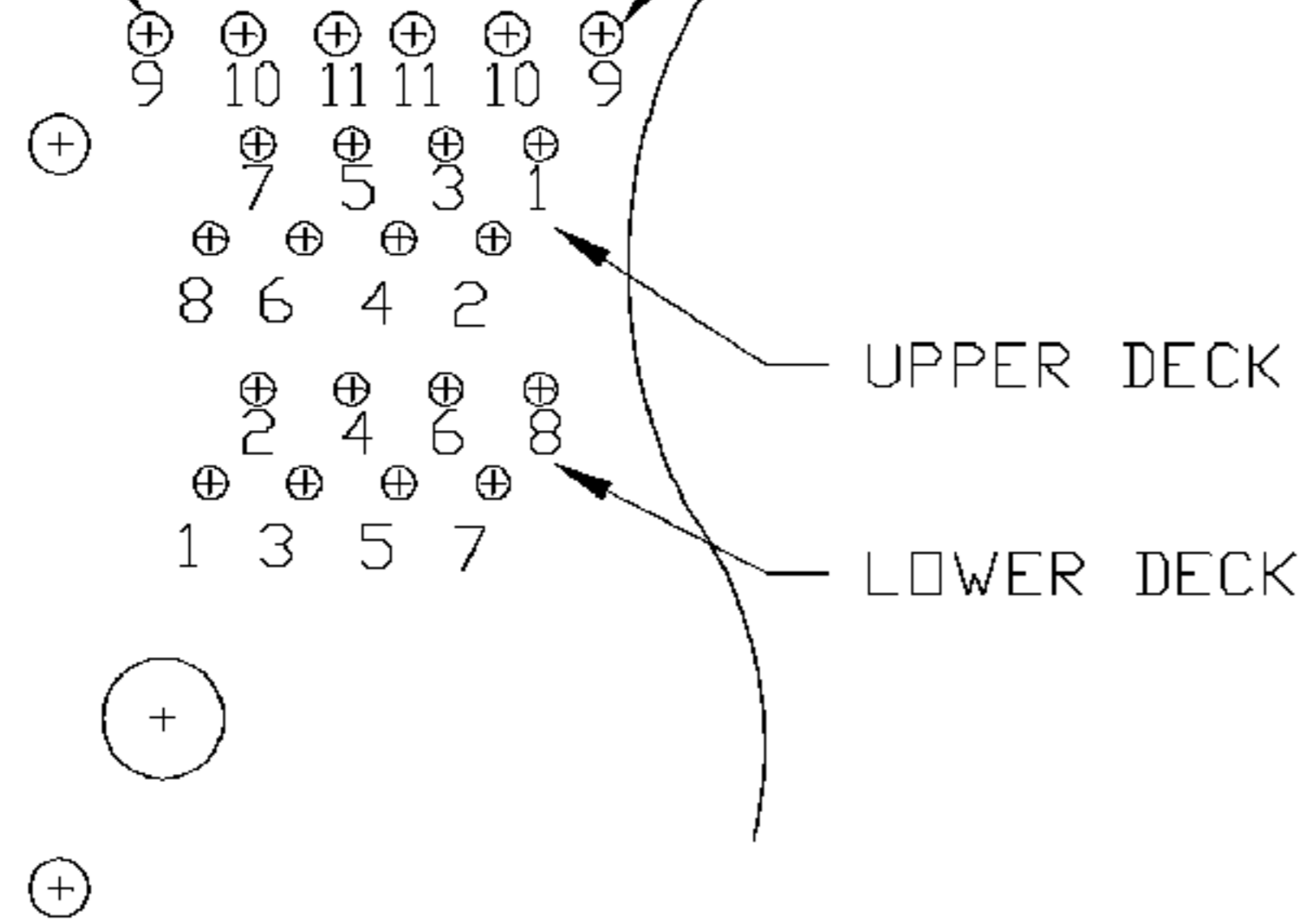


PORT ASSIGNMENT
(COMPONENT SIDE VIEW)



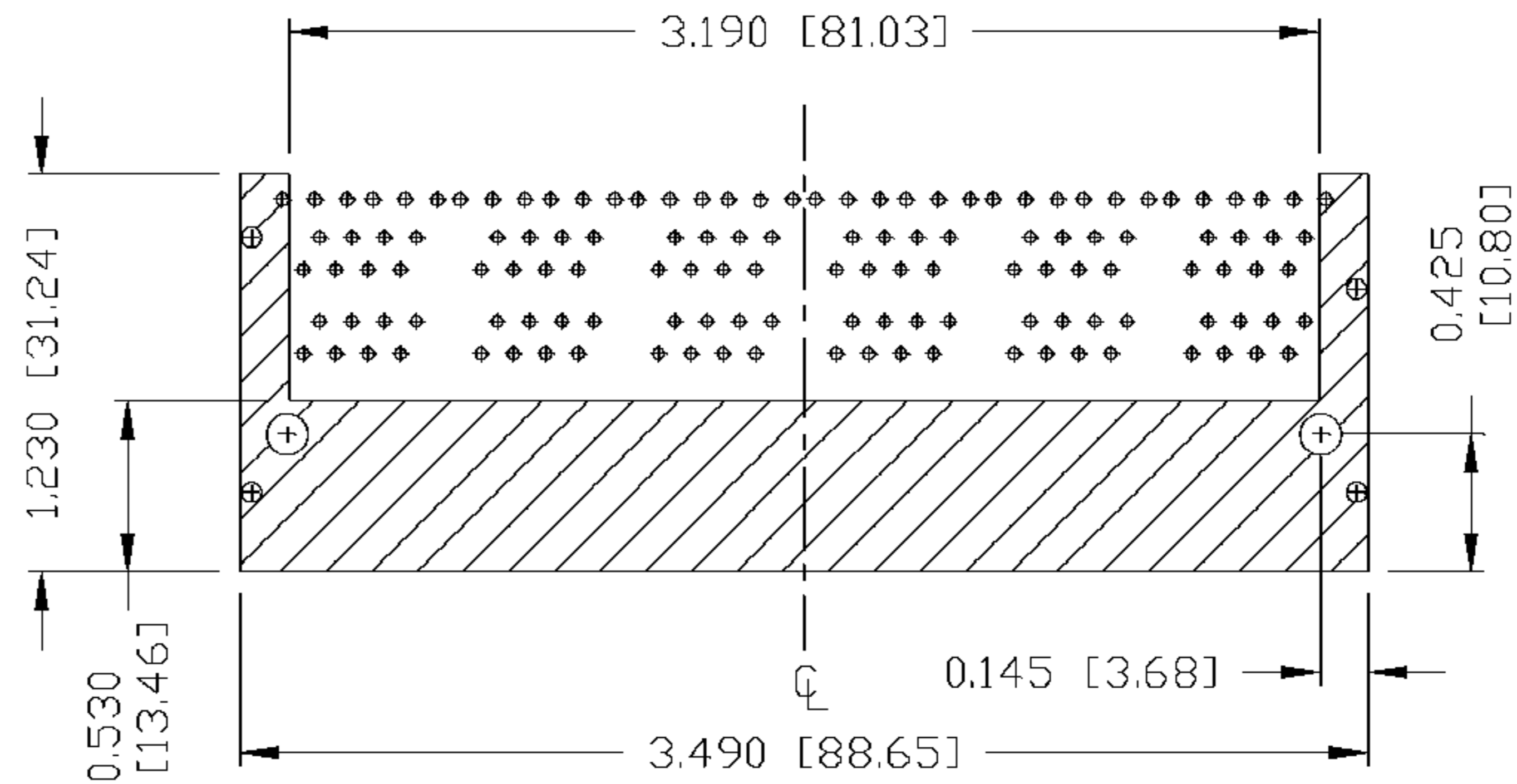
LED PIN 1
LOWER DECK

LED PIN 1
UPPER DECK



PIN-OUT INFORMATION
(COMPONENT SIDE VIEW)

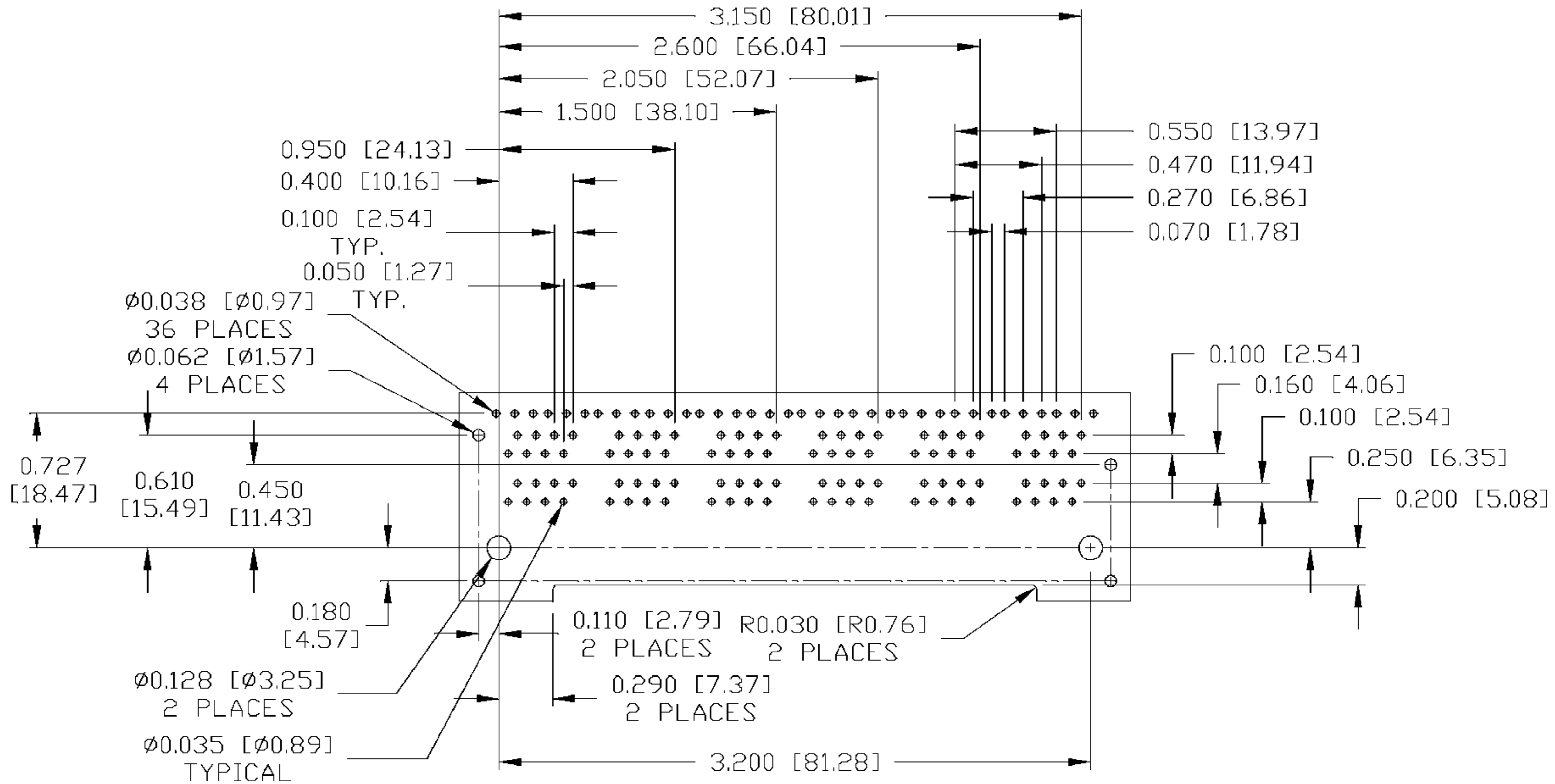
11	YELLOW LED CATHODE
10	COMMON ANODE
9	GREEN LED CATHODE
8	GND
7	TCT
6	TD-
5	NC
4	RCT
3	TD+
2	RD-
1	RD+



THE SHADED AREA ON THE CUSTOMER BOARD ARE RECOMMENDED TO BE CLEAR OFF ANY VIA HOLE OR COMPONENT PAD.

ORIGINATED BY CHEN BILL	DATE 11-22-07	TITLE 2X6 MagJack® with LED	PART NO. / DRAWING NO. 08102H6R28-F	STANDARD DIM. TOL. IN INCH	[] METRIC DIM. AS REFERENCE	<p>COMPONENTS FOR A CONNECTED PLANET</p>
DRAWN BY LIU QIN	DATE 11-22-07	0810-2H6R-28-F	FILE NAME 08102H6R28-F_A.DWG	.X	UNIT : INCH [mm]	
				.XX	SCALE : N/A	
				.XXX ±0.004	SIZE : A4	
						PAGE : 4

THE INFORMATION CONTAINED HEREIN IS CONSIDERED "PROPRIETARY" TO BEL FUSE INC. AND SHALL NOT BE COPIED, REPRODUCED OR DISCLOSED WITHOUT THE WRITTEN APPROVAL OF BEL FUSE INC.



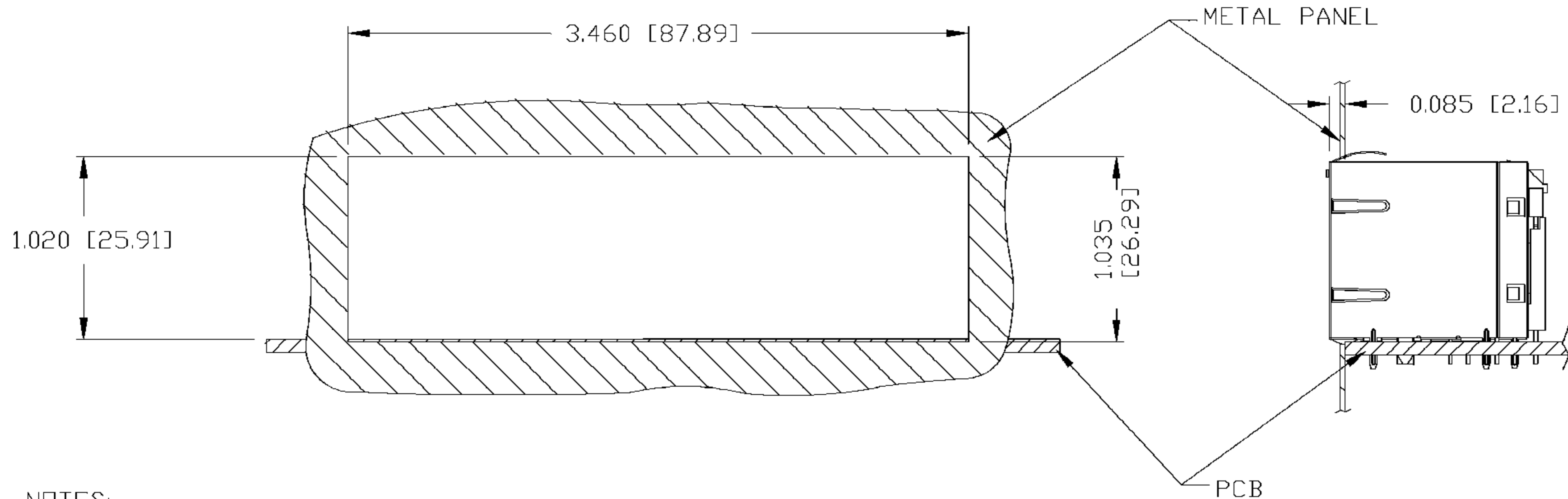
SUGGESTED FOOTPRINT
(COMPONENT SIDE VIEW)

ORIGINATED BY CHEN BILL	DATE 11-22-07	TITLE 2X6 MagJack® with LED	PART NO. / DRAWING NO. 08102H6R28-F	STANDARD DIM. TOL. IN INCH	[] METRIC DIM. AS REFERENCE	 COMPONENTS FOR A CONNECTED PLANET
DRAWN BY LIU QIN	DATE 11-22-07	0810-2H6R-28-F	FILE NAME 08102H6R28-F_A.DWG	.X	UNIT : INCH [mm]	
				.XX	SCALE : N/A	
				.XXX ±0.004	REV. : A SIZE : A4 PAGE : 5	

THE INFORMATION CONTAINED HEREIN IS CONSIDERED "PROPRIETARY" TO BEL FUSE INC. AND SHALL NOT BE COPIED, REPRODUCED OR DISCLOSED WITHOUT THE WRITTEN APPROVAL OF BEL FUSE INC.



SUGGESTED PANEL OPENING



NOTES:


THE DISTANCE OF PANEL INSIDE SURFACE RELATIVE TO FRONT SURFACE OF PART IS ONLY A SUGGESTION. IN CASE THIS DISTANCE IS DIFFERENT, THE REQUIRED PANEL OPENING DIMENSIONS CHANGE ACCORDINGLY.

PACKING INFORMATION

PACKING TRAY : 0200-9999-A9 (TOP)
0200-9999-B6 (BOTTOM)

PACKING QUANTITY : 15 PCS FINISHED GOODS PER TRAY
7 TRAYS (105 PCS FINISHED GOODS) PER CARTON BOX

NOTE : CARDBOARDS ARE PLACED BETWEEN LAYERS OF PACKING TRAY INSIDE CARTON BOX
(INCLUDE THE UPPERMOST AND LOWERMOST TRAY)

ORIGINATED BY	DATE	TITLE	PART NO. / DRAWING NO.	STANDARD DIM. TOL. IN INCH	[] METRIC DIM. AS REFERENCE	 COMPONENTS FOR A CONNECTED PLANET
CHEN BILL	11-22-07	2X6 MagJack® with LED	08102H6R28-F	.X	UNIT : INCH [mm]	
DRAWN BY	DATE	0810-2H6R-28-F	FILE NAME	.XX	SCALE : N/A	
LIU QIN	11-22-07		08102H6R28-F_A.DWG	.XXX ±0.004	REV. : A SIZE : A4 PAGE : 6	