



Main

Range of product	Advantys Telefast ABE7
Product or component type	Connection sub-base for counter and analogue channels
Number of channels	8
Connections - terminals	<p>Screw type terminals, clamping capacity: 2 x 0.2...2 x 2.5 mm² AWG 24...14 solid</p> <p>Screw type terminals, clamping capacity: 2 x 0.09...2 x 0.75 mm² AWG 28...20 flexible with cable end</p> <p>Screw type terminals, clamping capacity: 1 x 0.14...1 x 2.5 mm² AWG 26...14 flexible without cable end</p> <p>Screw type terminals, clamping capacity: 1 x 0.14...1 x 2.5 mm² AWG 26...12 solid</p> <p>Screw type terminals, clamping capacity: 1 x 0.09...1 x 1.5 mm² AWG 28...16 flexible with cable end</p>

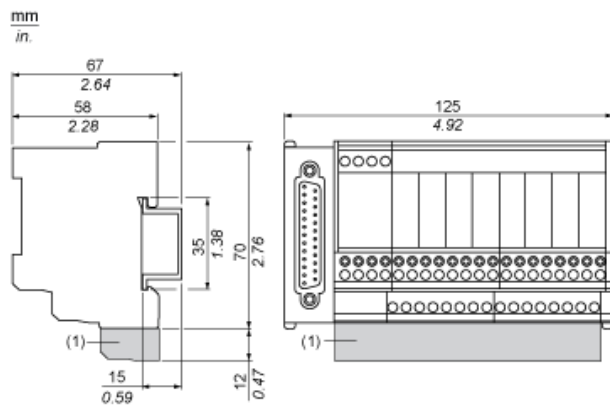
Complementary

Function of module	<p>Pt 100 , compatible with Premium</p> <p>Analogue input voltage , compatible with Premium</p> <p>Analogue input current , compatible with Premium</p>
Product compatibility	<p>TSXAEY800 compatible with Premium</p> <p>TSXAEY1600 compatible with Premium</p>
Control circuit voltage	24 V DC
Connection to PLC	SUB-D 25
Fixing mode	<p>By screws on solid plate with fixing kit</p> <p>By clips on 35 mm symmetrical DIN rail</p>
[Ui] rated insulation voltage	2000 V between terminals/mounting rails
Installation category	II conforming to IEC 60664-1
Tightening torque	0.6 N.m (with flat Ø 3.5 mm)
Product weight	0.33 kg

Environment

Standards	<p>CSA 22-2</p> <p>IEC 61131</p> <p>UL 508</p>
Product certifications	<p>BV</p> <p>CSA</p> <p>DNV</p> <p>GL</p> <p>LROS (Lloyds register of shipping)</p> <p>UL</p>
IP degree of protection	IP20 conforming to IEC 60529
Protective treatment	TC
Resistance to incandescent wire	750 °C, extinction time: < 30 s conforming to IEC 60695-2-11
Shock resistance	15 gn for 11 ms conforming to IEC 60068-2-27
Vibration resistance	2 gn (f = 10...150 Hz) conforming to IEC 60068-2-6
Resistance to electrostatic discharge	<p>8 kV (air) conforming to IEC 61000-4-2 level 3</p> <p>4 kV (contact) conforming to IEC 61000-4-2 level 3</p>
Resistance to radiated fields	10 V/m (26000000...1000000000 Hz) conforming to IEC 61000-4-3 level 3
Resistance to fast transients	2 kV conforming to IEC 61000-4-4 level 3
Ambient air temperature for operation	0...60 °C conforming to IEC 61131-2
Ambient air temperature for storage	-40...80 °C conforming to IEC 61131-2
Pollution degree	2 conforming to IEC 60664-1

Dimensions

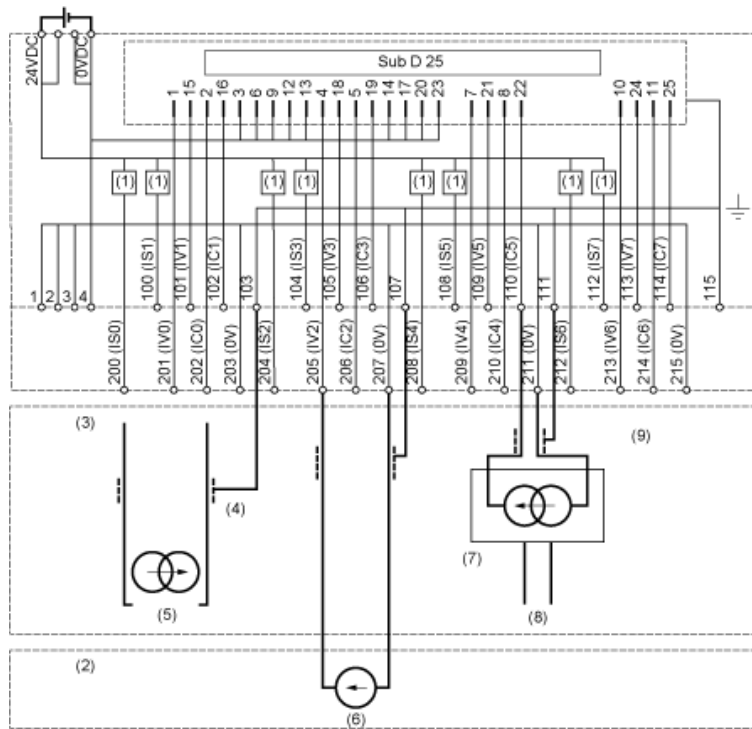


(1) ABE7BV20 / ABE7BV20E

Mounting



Wiring Diagram



- (1) Limiter 25 mA
- (2) 8 input voltage
- (3) 8 input current
- (4) 2-wire sensor
- (5) Channel via 0
- (6) Channel via 2
- (7) Power supply
- (8) Channel via 5
- (9) 4-wire sensor

Mouser Electronics

Authorized Distributor

Click to View Pricing, Inventory, Delivery & Lifecycle Information:

[Schneider Electric:](#)

[ABE7CPA03](#)