



Bi-Sonic

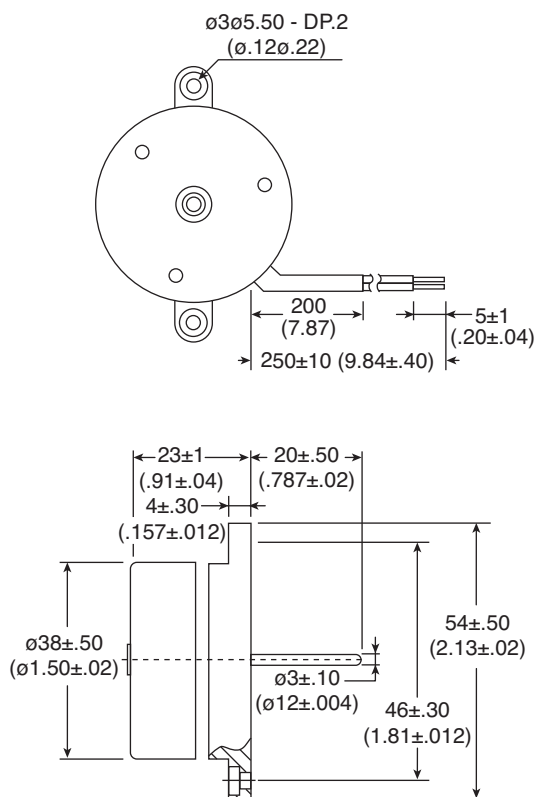
DC Brushless Motors

433-JIB0424LL, 433-JIB0424LM, 433-JIB0424LH,
433-JIB0424RL, 433-JIB0424RM, 433-JIB0424RH

Date Last Revised: 08/18/09

BI-200041

Dimensions: mm (in.)



Mouser Stock No.	Bearing	Rated Voltage (VDC)	Operating Voltage Range (V)	Rated Current (A)	Rated Input Power (W)	Speed (R.P.M.)
433-JIB0424LL	Ball	24	20.4-27.6	0.10	2.40	4900
433-JIB0424LM	Ball	24	20.4-27.6	0.12	2.88	5700
433-JIB0424LH	Ball	24	20.4-27.6	0.10	2.40	6200
433-JIB0424RL	Ball	24	20.4-27.6	0.10	2.40	4900
433-JIB0424RM	Ball	24	20.4-27.6	0.12	2.88	5700
433-JIB0424RH	Ball	24	20.4-27.6	0.13	3.12	6400

Electrical Specifications:

- Insulation resistance: 500VDC 10M Ω min.
- Dielectric strength: 500VAC 60Hz for 1 minute

Mechanical Specifications:

- Operating temperature: -10°C to +70°C
- Weight: 60 grams

Materials:

- Lead Wire: UL AWM 1007VW-1, CSA TR-64 AWG#24, +: Red, -: Black/Blue
- Insulating tube
- Heat - Shrinkable PVC

Note:

- RoHS Compliant by Exemption

Available from Mouser Electronics

1-800-346-6873

www.mouser.com

Specifications are subject to change without notice. No liability or warranty implied by this information. Environmental compliance based on producer documentation.