

MODEL NUMBERING SCHEME



DC FAN

AD 06 12 H X - A 7 3 GL

AD: AD=DC Axial Fan; AB=DC Blower Fan;
AP=Chip Cooler; AQ=Waterproof Fan;
AW=CPU Cooler

06 DC Fan Size: 15=15mm; 20=20mm; 02=25mm;
03=30mm; 35=35mm; 04=40mm;
45=45mm; 50=50mm; 05=52mm;
06=60mm; 07=70mm; 08=80mm;
09=92mm; 12=120mm; 17=172mm
A=01mm; B=02mm; C=03mm; D=04mm;
E=05mm; F=06mm; G=07mm; H=08mm;
J=09mm; K=10mm; L=11mm; M=12mm;
N=13mm; P=14mm; S=17mm; T=18mm;
U=19mm; V=20mm; W=21mm; X=22mm;
Y=23mm; Z=24mm

12 DC Voltage: 03=03VDC; 05=05VDC; 12=12VDC;
24=24VDC; 48=48VDC

H Speed: D=Ultra low; L=Low;
M=Medium; H=High;
U=Ultra high; X=Over ultra high;
V=Maximum high speed

X Bearing: X=Hypro bearing; B=Ball bearing;
S=Sleeve bearing; F=FDB

3 Function description & Third lead wire
0=by impedance 3=by IC with speed sensor(FG) 7=TWO speed A=VS+RD
1=by IC 4=by IC with variable speed sensor(VS) 8=VS+FG B=PWM+FG
2=by IC with alarm(RD) 6=by transistor with speed sensor(FG) 9=PWM control C=RD+FG

A DC: Thickness: A=25mm; B=28mm; C=20mm; D=15mm;
E=12mm; F=38mm; G=10mm; J=8mm;
L=14mm; H=13mm; P=18mm; K=6mm;
Q=7mm; R=9mm; T=11mm; Y=32mm;
Z=33mm; S=16mm; M=23mm; V=04mm

7 DC: Impeller number: 5=5 blades; 7=7 blades; 9=9 blades;
A=11 blades; B=13 blades; C=15 blades;
D=17 blades; E=19 blades; F=21 blades;
0=Blower blades shape

GL Fan type: GL=Low noise; GP=Great performance; Blank=Standard; DS=Dynamic & Static

勝特力材料 886-3-5753170
勝特力电子(上海) 86-21-54151736
勝特力电子(深圳) 86-755-83298787
[Http://www.100y.com.tw](http://www.100y.com.tw)

AC FAN

AA 128 1 M B - A W GL

AA AA=AC Fan; AK=AC Fan

128 AC frame size: 825=80x80x25mm; 838=80x80x38mm;
925=92x92x25mm; 125=120x120x25mm;
128=120x120x38mm; 178=172x150x38mm;
175=172x150x50mm; 172=172x150x50mm

1 AC voltage: 1=110~120vac(115VAC); 2=220~240VAC(230VAC)

M Speed: D=Ultra low; L=Low;
M=Medium; H=High;
U=Ultra high;

B Bearing: X=Hypro bearing; B=Ball bearing;
S=Sleeve bearing

A AC: Frame material: A=Aluminum alloy; P=Plastic

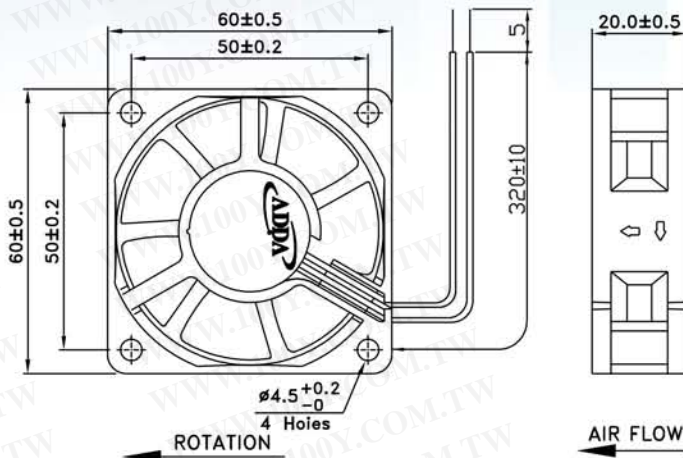
W AC: Lead wire type: T=Terminal; W=Wires

GL Fan type: GL=Low noise; Blank=Standard

AD6020 SERIES



External Dimensions



Frame: Plastic(UL:94V-0)
 Impeller: Plastic(UL:94V-0)
 Bearing: Ball bearing
 Lead wire: UL1007AWG26
 VOLTAGE AVAILABLE: 12V

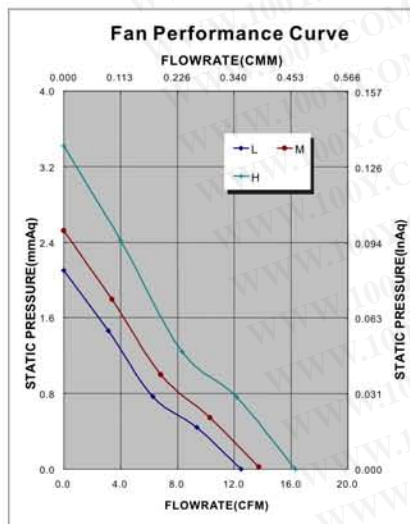
Specifications(Nominal)

*:Noise is measured at the distance of one (1) meter from the axis of intake.

Bearing type: ●=Ball ⦿=Sleeve ◻=1B1S ●=Hypro bearing

Frame size (mm)	Model No.	Bearing System Type	Rated Voltage (VDC)	Rated Current (A)	Actual Current (A)	Rated Power (W)	Actual Power (W)	Rated Speed (rpm)	Maximum AirFlow (CMM)	Maximum AirFlow (CFM)	Maximum Pressure (InAq)	Maximum Pressure (mmAq)	*Noise Level (dB/A)	Weight (g)
60x60x20	AD0605DB-C70GL(T)	●	5	0.12	0.07	0.60	0.35	3000	0.293	10.40	0.064	1.64	21.1	49.0
	AD0605LB-C70GL(T)	●	5	0.16	0.12	0.80	0.60	3500	0.352	12.50	0.084	2.10	23.5	
	AD0605MB-C70GL(T)	●	5	0.24	0.16	1.20	0.80	3900	0.386	13.72	0.101	2.52	26.4	
	AD0605HB-C70GL(T)	●	5	0.30	0.18	1.50	0.90	4500	0.459	16.31	0.137	3.42	31.0	
	AD0612DB-C70GL(T)	●	12	0.07	0.05	0.84	0.60	3000	0.293	10.40	0.064	1.64	21.1	
	AD0612LB-C70GL(T)	●	12	0.08	0.06	0.96	0.72	3500	0.352	12.50	0.084	2.10	23.5	
	AD0612MB-C70GL(T)	●	12	0.13	0.08	1.56	0.96	3900	0.386	13.72	0.101	2.52	26.4	
	AD0612HB-C70GL(T)	●	12	0.16	0.10	1.92	1.20	4500	0.459	16.31	0.137	3.42	31.0	
	AD0624HB-C70GL(T)	●	24	0.09	0.06	2.16	1.44	4500	0.459	16.31	0.137	3.42	31.0	

Specifications subject to change without notice.



勝特力材料 886-3-5753170
 勝特力电子(上海) 86-21-54151736
 勝特力电子(深圳) 86-755-83298787
[Http://www.100y.com.tw](http://www.100y.com.tw)

*Motor protective circuit and third lead wire functions

0	1	2	3	4	6	7	8	9	A	B
✓	✓	✓	✓		✓					

*Safety approvals

			✓	✓